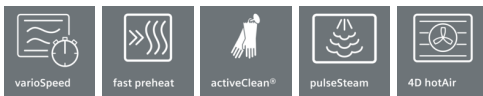


**iQ700, built-in oven with steam- and microwave function, 60 x 60 cm, Stainless steel  
HN678G4S1B**



- ✓ varioSpeed: reduce cooking times by up to 50%.
- ✓ fast preheat: reach the required baking temperature sooner; coolStart: no need to preheat the oven for deep frozen food.
- ✓ activeClean: the automatic system for effortless cleaning.
- ✓ pulseSteam: for crispy crusts and juicy roasts.
- ✓ 4D hotAir: flexible choice of shelf.

#### Features

##### Technical Data

Type of micro-wave oven : MW-Combi  
 Type of control : Electronic  
 Color / Material Front : Stainless steel  
 Dimensions : 595 x 594 x 548  
 Cavity dimensions (mm) : 357.0 x 480 x 392.0  
 Length electrical supply cord (cm) : 120  
 Net weight (kg) : 50.417  
 Gross weight (kg) : 52.8  
 EAN code : 4242003672143  
 Maximum micro-wave power (W) : 800  
 Connection Rating (W) : 3600  
 Current (A) : 16  
 Voltage (V) : 220-240  
 Frequency (Hz) : 60; 50  
 Plug type : no plug



#### Included accessories

2 x combination grid  
 1 x universal pan

#### Optional accessories

HZ915003 Glass roasting dish, 5,4 L  
 HZ636000 Glass pan  
 HZ634080 Baking and roasting grid (microwave)  
 HZ631070 Baking tray, anthracite enamelled  
 HZ625071 Grill tray, anthracite enamelled  
 HZ531010 Baking tray, non-stick ceramic coated

**iQ700, built-in oven with steam- and microwave function, 60 x 60 cm, Stainless steel  
HN678G4S1B**

#### Features

##### Design

- Cavity inner surface: enamel anthracite
- activeClean
- bakingSensor
- roastingSensor Plus
- 
- 5.7" TFT touchDisplay Plus
- Electronic door lock
- Control panel lock
- Automatic safety switch off
- Residual heat indicator
- Start button
- Door contact switch
- 
- 

##### Features

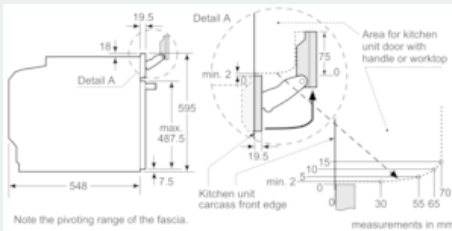
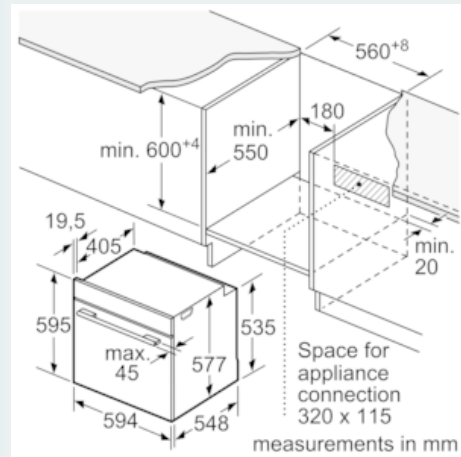
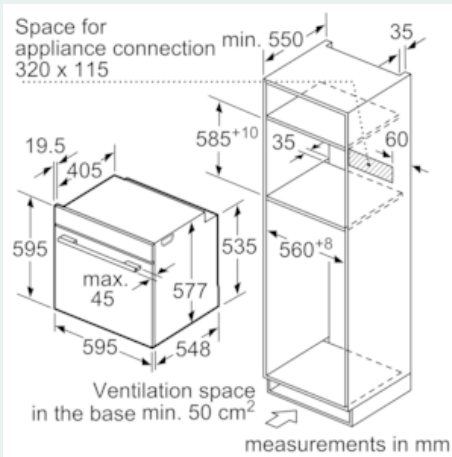
- Electronic oven clock timer
- Multilevel LED illumination, LED light, Light on/off when door opened/closed
- Integral cooling fan
- Tank empty indicator

##### Programmes/functions

- Oven with microwave with 15 PC heating methods: 4D hot air, hotairGentle, conventional, Conventional heat Gentle, hot air grilling, full width grill, half width grill, Pizza Setting, coolStart, bottom heat, intensive conventional heat, low temperature cooking, keep warm, dehydrate, plate warming
- Additional heating methods with steam: reheating with steam, Dough proving
- Additional heating methods with microwave: Microwave, Combi microwave variable, Dough proving, reheating with steam
- Drop down oven door, softClose, softOpen
- 
- Fast pre-heat
- cookControl Plus
- Cavity volume: 67 litres
- 
- 1 l Water tank capacity:
- Location of water tank: Outside cavity
- 120 cm Cable length
- Total connected load electric: 3.6 KW
- Appliance dimension (hxwxd): 595 mm x 594 mm x 548 mm
- Niche dimension (hxwxd): 585 mm - 595 mm x 560 mm - 568 mm x 550 mm
- Please refer to the dimensions provided in the installation manual
- 1 x universal pan, 2 x combination grid

**iQ700, built-in oven with steam- and microwave function, 60 x 60 cm, Stainless steel  
HN678G4S1B**

Dimensioned drawings



If the appliance will be installed underneath a hob, the following worktop thicknesses (including substructure if necessary) must be taken into account.

Hob type	min. worktop thickness	
	fitted	flush
Induction hob	37 mm	38 mm
Full surface Induction hob	47 mm	48 mm
Gas hob	30 mm	38 mm
Electric hob	27 mm	30 mm