

IQ700, Built-in oven with microwave-function, 60 x 60 cm, Stainless steel HM676G0S6B



Shorten your cooking time thanks to varioSpeed, fast preheat and activeClean. And remote your oven from anywhere with Home Connect.

- ✓ varioSpeed – Prepare excellent dishes up to 50% faster.
- ✓ fastPreheat – Heat the oven quickly. coolStart – Eliminate preheating for frozen foods.
- ✓ activeClean® – The automatic, self-cleaning oven system.
- ✓ Home Connect – Experience the intelligent kitchen via app.
- ✓ cookControl Plus – Build success into your baking.

Features

Technical Data

Additional functions: Microwave combination oven
 Type of control: Electronic
 Dimensions: 595 x 594 x 548 mm
 Cavity dimensions: 357.0 x 480 x 392.0 mm
 Length electrical supply cord: 120.0 cm
 Weight: 43.6 kg
 Gross weight: 46.7 kg
 EAN code: 4242003765906
 Maximum micro-wave power: 800 W
 Connection Rating: 3600 W
 Fuse protection: 16 A
 Nominal power: 220-240 V
 Frequency: 50; 60 Hz
 Plug type: no plug (electrical connection by electrician)
 Included accessories: 2 x combination grid, 1 x universal pan



Included accessories

2 x combination grid, 1 x universal pan

Optional accessories

HZ327000 Baking stone, HZ531010 Baking tray, non-stick ceramic coated, HZ532010 Universal pan, non-stick ceramic coated, HZ617000 Pizza pan, enamelled, HZ625071 Grill tray, enamelled, HZ631070 Baking tray, enamelled, HZ632070 Multipurpose pan, enamelled, HZ633001 Lid for professional pan, enamelled, HZ633070 Professional pan, enamelled, HZ634080 Baking and roasting grid (microwave), HZ636000 Glass pan, HZ664000 Baking and roasting grid (steam), HZ66X650 Cover Strip, HZ915003 Glass roasting dish, 5,4 L

IQ700, Built-in oven with microwave-function, 60 x 60 cm, Stainless steel HM676G0S6B

Features

Design

- 3.7" TFT touchDisplay
- Cavity inner surface: enamel anthracite
- Drop down oven door, softClose, softOpen
- Stainless steel control dial
- Bar handle
- We recommend you to choose complementary products within IQ700, in order to assure an optimal design combination of your Built-In appliances.

Features

- Intelligent microwave inverter technology: For optimised results maximum output power will be regulated to 600 W when used in longer operation for gentler cooking.
- Automatic temperature proposal
- Actual temperature display Heating-up indicator
- Electronic door lock
- Control panel lock Automatic safety switch off Residual heat indicator Start button Door contact switch
- WLAN - Home connect enabled
- cookControl Plus
- Electronic oven clock timer
- Integral cooling fan
- LED light, Light on/off when door opened/closed
- 5 shelf positions

Cleaning

- activeClean

Programmes/functions

- Oven with microwave with 13 main functions heating methods: 4D hot air, hotairGentle, conventional, Conventional heat Gentle, hot air grilling, full width grill, half width grill, Pizza Setting, coolStart, bottom heat, low temperature cooking, keep warm, plate warming
- Additional heating methods with microwave: Microwave, Combi microwave variable
- Fast pre-heat

Accessories

- 1 level telescopic shelf, pyrolytic proof
- 2 x combination grid, 1 x universal pan

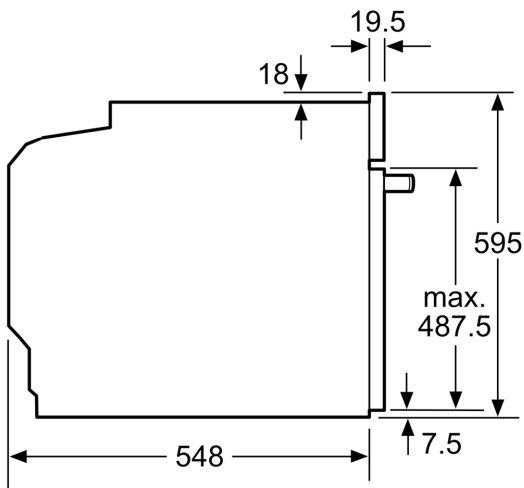
Technical information

- Cavity volume: 67 litres
- Temperature range 30 °C - 275 °C
- Total connected load electric: 3.6 KW
- 120 cm Cable length
- Nominal voltage: 220 - 240 V
- Appliance dimension (hxwx): 595 mm x 594 mm x 548 mm
- Niche dimension (hxwx): 585 mm - 595 mm x 560 mm - 568 mm x 550 mm

- Please refer to the dimensions provided in the installation manual

**IQ700, Built-in oven with
microwave-function, 60 x 60 cm,
Stainless steel
HM676G0S6B**

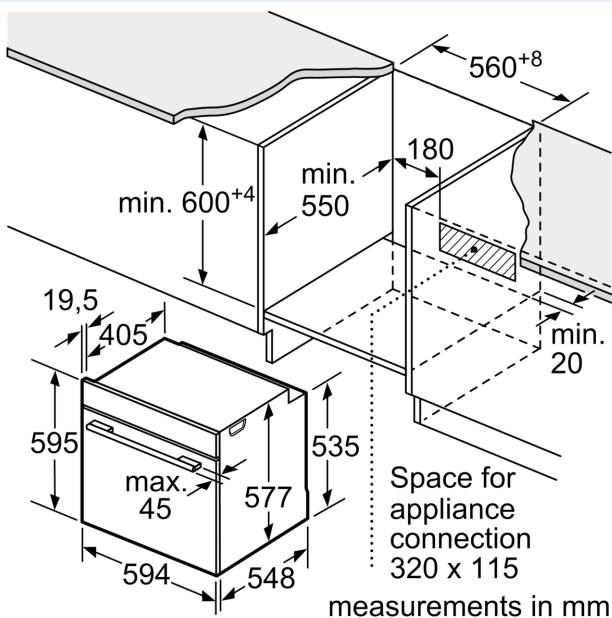
Dimensioned drawings



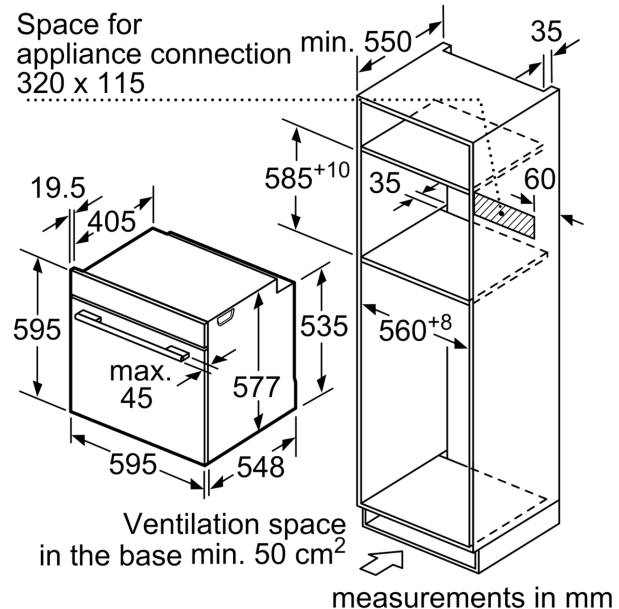
measurements in mm

If the appliance will be installed underneath a hob, the following worktop thicknesses (including substructure if necessary) must be taken into account.

Hob type	min. worktop thickness	
	fitted	flush
Induction hob	37 mm	38 mm
Full surface Induction hob	47 mm	48 mm
Gas hob	30 mm	38 mm
Electric hob	27 mm	30 mm



measurements in mm



measurements in mm