

**Series 2, Built-in oven, 60 x 60 cm,
Black
HHF113BA0B**



A

The built-in oven with 3D hot air: achieve perfect baking and roasting results on up to three levels simultaneously.

- **Red LED display control:** easy-to-use thanks to clear time display.

Technical Data

Built-in / Free-standing: Built-in
 Integrated Cleaning system: No
 Min. required niche size for installation (HxWxD): 575-597 x 560-568 x 550 mm
 Dimensions: 595 x 594 x 548 mm
 Dimensions of the packed product (HxWxD): 660 x 650 x 670 mm
 Control Panel Material: metal lacquered
 Door Material: Glass
 Net weight: 32.4 kg
 Usable volume (of cavity) - cavity 1: 66 l
 Cooking method: Hotair gentle, Hot Air, Hot air grilling, Full width variable grill
 Oven control: mechanical
 Number of interior lights: 1
 Length electrical supply cord: 110.0 cm
 EAN code: 4242005048328
 Number of cavities (2010/30/EC): 1
 Energy efficiency rating: A
 Energy consumption per cycle forced air convection (2010/30/EQ): 79 kWh/cycle
 Energy efficiency index (2010/30/EC): 95.2 %
 Connection rating: 2400 W
 Fuse protection: 13 A
 Voltage: 220-240 V
 Frequency: 60; 50 Hz
 Plug type: GB plug
 Included accessories: 1 x insert grid, 1 x combination grid, 1 x universal pan

Included accessories

1 x insert grid, 1 x combination grid, 1 x universal pan

Optional accessories

HEZ317000 Pizza pan, enamelled
 HEZ327000 Pizza stone
 HEZ333001 Lid for professional pan
 HEZ425000 Grill tray
 HEZ431002 Baking tray, enamelled
 HEZ915003 Glass roasting dish, 5,4 L



**Series 2, Built-in oven, 60 x 60 cm,
Black
HHF113BA0B**

The built-in oven with 3D hot air: achieve perfect baking and roasting results on up to three levels simultaneously.

Design

- LED-Display Control (Red)
- Rotary dial, round
- Interior halogen light
- Straight bar handle

Features

- Control panel lock
- Automatic start
- Electronic clock timer
- Integral cooling fan
- 5 shelf positions
- Cavity volume: 66 litre

Cleaning

- Full glass inner door

Programmes/functions

- Oven with 4 cooking functions: heating methods: 3D Hotair, Hotair grilling, Hotair gentle, full width variable grill

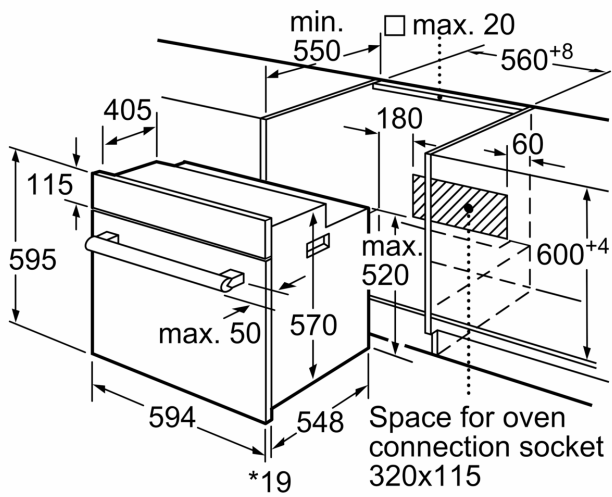
Accessories

- 1 x universal pan, 1 x combination grid, 1 x insert grid

Performance/technical information

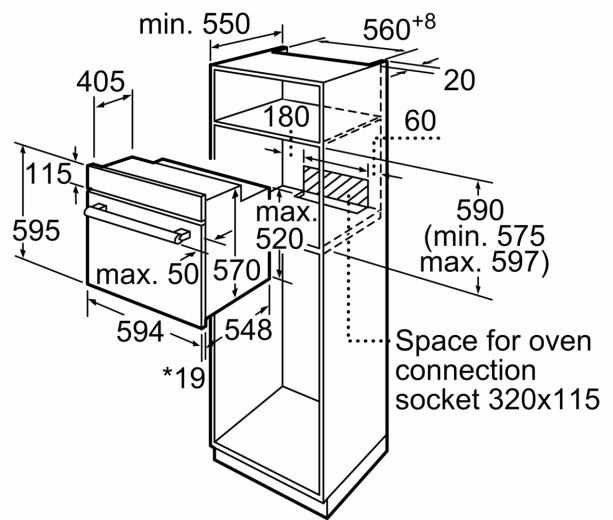
- 110 cm Cable length
- Temperature range 50 °C - 275 °C
- Nominal voltage: 220 - 240 V
- Total connected load electric: 2.4 KW
- Appliance dimension (hxwx): 595 mm x 594 mm x 548 mm
- Niche dimension (hxwx): 575 mm - 597 mm x 560 mm - 568 mm x 550 mm
- Please refer to the dimensions provided in the installation manual

**Series 2, Built-in oven, 60 x 60 cm,
Black
HHF113BA0B**



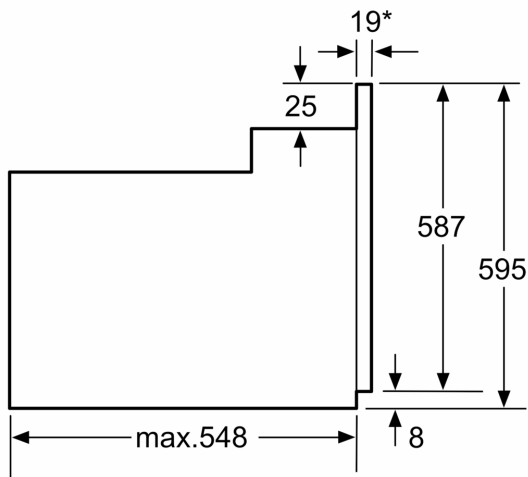
* 20 mm for metal fascias

measurements in mm



* 20 mm for metal fascias

measurements in mm



* 20 mm for metal fascias

Dimensions in mm