

**Series 4, Built-in oven, 60 x 60 cm,
Stainless steel
HBS534BS0B**



The built-in oven with 3D hot air: achieve perfect baking and roasting results on up to three levels simultaneously.

- **3D Hotair:** even heat distribution for perfect results on up to three levels.
- **Red LED display control:** easy-to-use thanks to clear time display.
- **Pop-out controls:** Make the front of the oven easy to clean and give it a sleek look.
- **EcoClean Direct:** less cleaning effort thanks to a special coating of the rear wall that automatically absorbs grime.
- **Cleaning Assistance:** less cleaning effort thanks to the new cleaning option, which can be especially used for cleaning of light soiling.

Technical Data

Built-in / Free-standing: Built-in
 Integrated Cleaning system: ..EcoClean Direct programme, Hydrolytic
 Min. required niche size for installation (HxWxD): 585-595 x 560-568 x 550 mm
 Dimensions: 595 x 594 x 548 mm
 Dimensions of the packed product (HxWxD): 675 x 660 x 690 mm
 Control Panel Material: Stainless steel
 Door Material: Glass
 Net weight: 33.4 kg
 Usable volume (of cavity) - cavity 1: 71 l
 Cooking method: Full width grill, Hotair gentle, Hot Air, Conventional heat, Pizza setting, Bottom heat, Hot air grilling
 Oven control: mechanical
 Number of interior lights: 1
 Length electrical supply cord: 120.0 cm
 EAN code: 4242005057375
 Number of cavities (2010/30/EC): 1
 Energy efficiency rating: A
 Energy consumption per cycle conventional (2010/30/EC): 0.97 kWh/cycle
 Energy consumption per cycle forced air convection (2010/30/EC): 81 kWh/cycle
 Energy efficiency index (2010/30/EC): 95.3 %
 Connection rating: 2990 W
 Fuse protection: 13 A
 Voltage: 220-240 V
 Frequency: 60; 50 Hz
 Plug type: no plug (electrical connection by electrician)
 Included accessories: 2 x combination grid, 1 x universal pan, 2 x Universal pan, slim size

Included accessories

2 x combination grid, 1 x universal pan, 2 x Universal pan, slim size

Optional accessories

HEZ327000 Pizza stone, HEZ32WA00 Wireless food thermometer, HEZ530000 Half tray, HEZ531010 Baking tray, non-stick ceramic coated, HEZ532010 Universal pan, non-stick ceramic coated, HEZ538000 1fold telescopic rail, level independent, HEZ617000 Pizza pan, enamelled, HEZ629070 Air Fry & Grill tray, HEZ631070 Baking tray, enamelled, HEZ632070 Multipurpose pan, enamelled, HEZ633001 Lid for professional pan, enamelled, HEZ633070 Professional pan, enamelled, HEZ634000 Baking and roasting grid (standard), HEZ636000 Glass pan, HEZ638000 Full ext rails, level independent, HEZ660050 Cover Strip, HEZ664000 Baking and roasting grid (steam), HEZ915003 Glass roasting dish, 5,4 L



Series 4, Built-in oven, 60 x 60 cm, Stainless steel HBS534BS0B

The built-in oven with 3D hot air: achieve perfect baking and roasting results on up to three levels simultaneously.

Design

- LED-Display Control (Red)
- Rotary dial, Retractable control dials, round
- Straight bar handle

Features

- Control panel lock
- Electronic clock timer
- Interior halogen light
- Integral cooling fan
- 5 shelf positions
- Heating-up indicator
- Automatic start

Cleaning

- EcoCleanDirect : back panel

Programmes/functions

- Oven with 7 PC heating methods: 3D Hotair, conventional top and bottom heat, Hotair grilling, full width variable grill, pizza function, bottom heat, Hotair gentle
- Fast pre-heating function

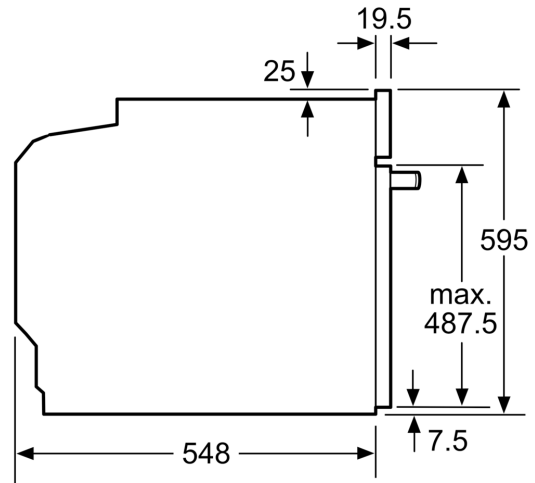
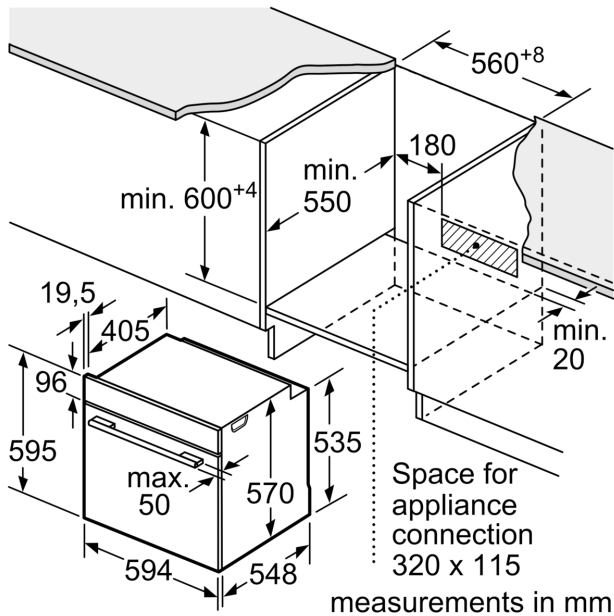
Accessories

- 1 x universal pan, 2 x combination grid, 2 x Universal pan, slim size

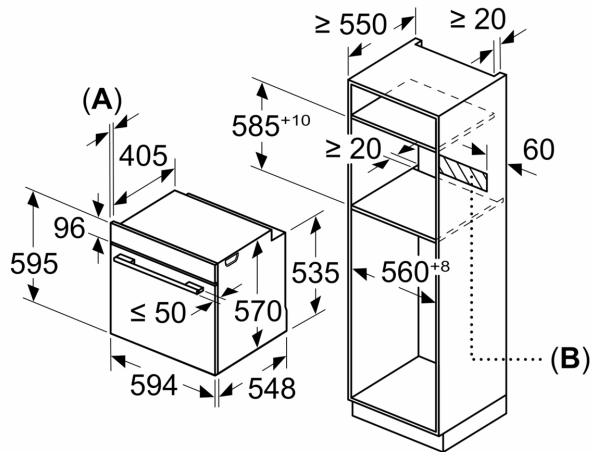
Performance/technical information

- Energy efficiency rating (acc. EU Nr. 65/2014): A
- Energy consumption per cycle in conventional mode:0.97 kWh
- Energy consumption per cycle in fan-forced convection mode:0.81 kWh
- Number of cavities: Main cavity Heat source: electrical Cavity volume:71 litre capacity
- Temperature range 50 °C - 275 °C
- Total connected load electric: 2.99 KW
- Nominal voltage: 220 - 240 V
- 120 cm Cable length
- Appliance dimension (hxwxh): 595 mm x 594 mm x 548 mm
- Niche dimension (hxwxh): 585 mm - 595 mm x 560 mm - 568 mm x 550 mm
- Please refer to the dimensions provided in the installation manual

**Series 4, Built-in oven, 60 x 60 cm,
Stainless steel
HBS534BS0B**

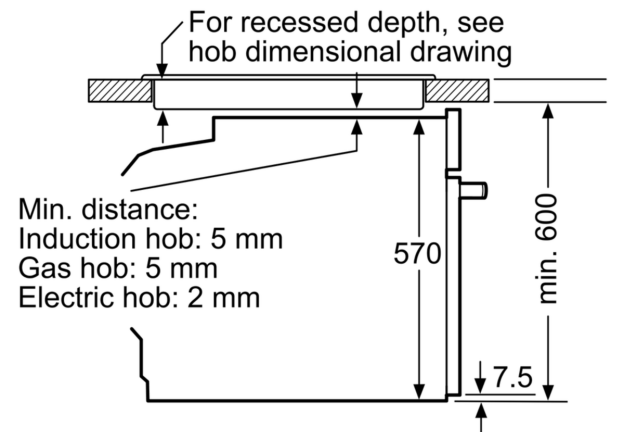


Measurements in mm



A: 19.5 mm
B: Space for appliance connection 320 x 115 mm

Installation with a hob.



measurements in mm