

**Serie | 2, built-in oven, Black
HBN331S4B**



A



Included accessories

- 1 x insert grid
- 1 x combination grid
- 1 x universal pan

The built-in oven with special hot air function: you achieve perfect baking and roasting results on up to two levels simultaneously.

- Hotair creates perfect results thanks to optimal distribution of heat on up to 2 levels simultaneously.
- **Flap door:** for especially convenient opening and closing of the oven door.
- **Energy efficiency class A:** Best baking results with low energy consumption.

Technical Data

Color / Material Front :	Black
Built-in / Free-standing :	Built-in
Integrated Cleaning system :	No
Required niche size for installation (HxWxD) :	575-597 x 560-568 x 550
Dimensions of the product (mm) :	595 x 595 x 548
Dimensions of the packed product (HxWxD) (mm) :	680 x 660 x 650
Control Panel Material :	Metal
Door Material :	Glass
Net weight (kg) :	31.983
Usable volume (of cavity) - cavity 1 (l) :	66
Cooking method :	3D hot air, Defrost, Full width variable grill, Hot air grilling
First cavity material :	Enamelled
Temperature control :	mechanical
Number of interior lights :	1
Approval certificates :	CE, KEMA
EAN code :	4242002810768
Number of cavities (2010/30/EC) :	1
Energy efficiency class (2010/30/EC) :	A
Energy consumption per cycle forced air convection (2010/30/EC) :	0.82
Energy efficiency index (2010/30/EC) :	98.8
Connection Rating (W) :	2350
Current (A) :	13
Voltage (V) :	220-240
Frequency (Hz) :	50; 60
Plug type :	fixed connection, no plug



Serie | 2, built-in oven, Black HBN331S4B

The built-in oven with special hot air function: you achieve perfect baking and roasting results on up to two levels simultaneously.

Key Information

-
- Drop down door

Design

-
- Straight bar handle

Features

- Electronic clock timer
- 1 interior light
- Round light
- Control panel lock
- Cavity inner surface: Enamel
- Smooth enamelled oven interior
- 4 shelf positions
- Full glass inner door
- Info button

Programmes/functions

- Oven with 4 heating methods: Hotair grilling, defrost

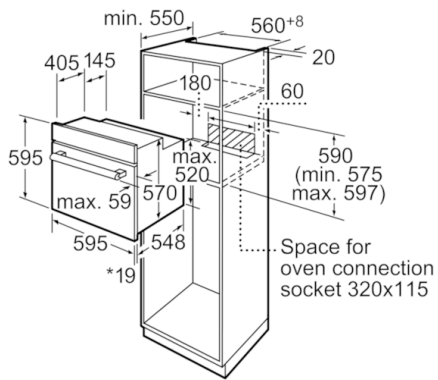
Performance/technical information

- Cavity volume: 66 litre
- Integral cooling fan
- Stainless-steel fan
- Enamelled cavity (brown)
- Oven cavity with removable rack supports
- Total connected load electric: 2.35 KW
- Appliance dimension (hxwxh): 595 mm x 595 mm x 548 mm
- Niche dimension (hxwxh): 575 mm - 597 mm x 560 mm - 568 mm x 550 mm
- Please refer to the dimensions provided in the installation manual
- Maximum window temperature 50° C
- Energy efficiency rating (acc. EU Nr. 65/2014):
Energy consumption per cycle in conventional mode: 98.8
Energy consumption per cycle in fan-forced convection mode: 0.82 kwh
Number of cavities: 1
Cavity volume: 66 litre

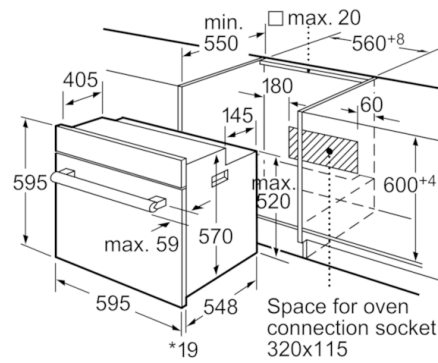
Standard accessories

- 1 x insert grid, 1 x combination grid, 1 x universal pan

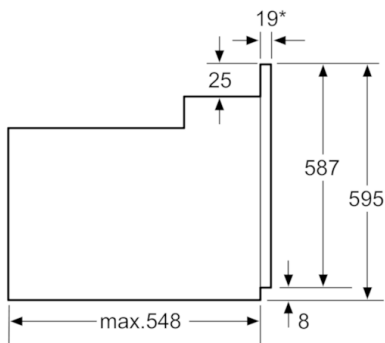
Serie | 2, built-in oven, Black
HBN331S4B



*20 mm for metal fascias
 Measurements in mm



*20 mm for metal fascias
 Measurements in mm



* 20 mm for metal fascias
 Dimensions in mm