

**Serie | 2**
**Single Oven  
HBN331E9B**

**Included accessories**

- 1 x insert grid
- 1 x combination grid
- 1 x universal pan

**The built-in oven with special hot air function: you achieve perfect baking and roasting results on up to two levels simultaneously.**
**A**

- Hotair creates perfect results thanks to optimal distribution of heat on up to 2 levels simultaneously.
- **Flap door:** for especially convenient opening and closing of the oven door.
- **Energy efficiency class A:** Best baking results with low energy consumption.

**Technical Data**

Color / Material Front :	Stainless steel
Built-in / Free-standing :	Built-in
Integrated Cleaning system :	No
Required niche size for installation (HxWxD) :	575-597 x 560-568 x 550
Dimensions of the product (mm) :	595 x 595 x 548
Dimensions of the packed product (HxWxD) (mm) :	660 x 685 x 665
Control Panel Material :	Metal
Door Material :	Glass
Net weight (kg) :	32.783
Usable volume (of cavity) - cavity 1 (l) :	66
Cooking method :	3D hot air, Bottom heat, Conventional heat, Full width variable grill, Hot air grilling
First cavity material :	Enamelled
Temperature control :	mechanical
Number of interior lights :	1
Approval certificates :	CE, KEMA
EAN code :	4242002899510
Number of cavities (2010/30/EC) :	1
Energy efficiency class (2010/30/EC) :	A
Energy consumption per cycle conventional (2010/30/EC) :	0.98
Energy consumption per cycle forced air convection (2010/30/EC) :	0.82
Energy efficiency index (2010/30/EC) :	98.8
Electrical connection rating (W) :	3600
Current (A) :	16
Voltage (V) :	220-240
Frequency (Hz) :	50; 60
Plug type :	fixed connection, no plug



## Serie | 2 Ovens

### Single Oven HBN331E9B

#### Standard accessories

- 1 x insert grid, 1 x combination grid, 1 x universal pan

**The built-in oven with special hot air function: you achieve perfect baking and roasting results on up to two levels simultaneously.**

---

#### Key Information

- 
- Drop down door

#### Design

- Retractable control dials
- Straight bar handle

#### Features

- Electronic clock timer
- 1 interior light
- Round light
- Control panel lock
- Cavity inner surface: Enamel
- Smooth enamelled oven interior
- 4 shelf positions
- Full glass inner door

#### Programmes/functions

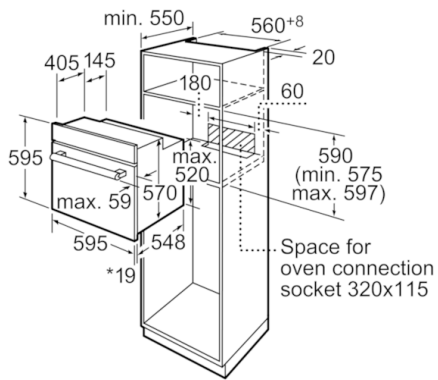
- Oven with 5 heating methods: conventional top and bottom heat, Hotair grilling, bottom heat
- Fast pre-heating function

#### Performance/technical information

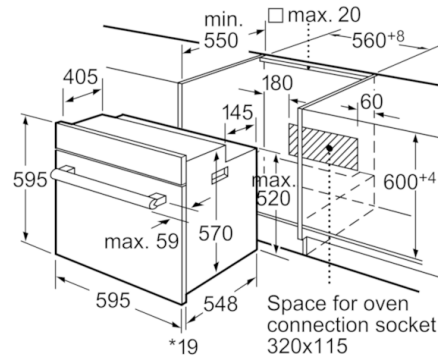
- Temperature range 50 °C - 270 °C
- Cavity volume: 66 litre
- Integral cooling fan
- Stainless-steel fan
- NO\_FEATURE
- Total connected load electric: 3.6 KW
- Appliance dimension (hxwxd): 595 mm x 595 mm x 548 mm
- Niche dimension (hxwxd): 575 mm - 597 mm x 560 mm - 568 mm x 550 mm
- Please refer to the dimensions provided in the installation manual
- Maximum window temperature 50° C
- Energy efficiency rating (acc. EU Nr. 65/2014):  
Energy consumption per cycle in conventional mode: 98.8  
Energy consumption per cycle in fan-forced convection mode: 0.82 kwh  
Number of cavities: 1  
Cavity volume: 66 litre

**Serie | 2 Ovens**

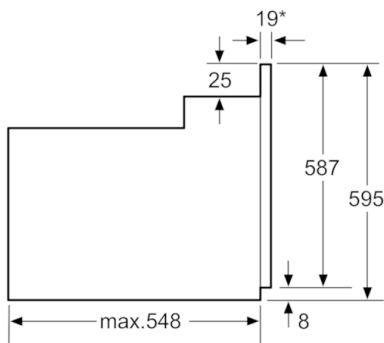
**Single Oven  
HBN331E9B**



\*20 mm for metal fascias  
Measurements in mm



\*20 mm for metal fascias  
Measurements in mm



\* 20 mm for metal fascias  
Dimensions in mm