

## Serie | 8, built-in oven, Black HBG673BB1B


**A+**


### Included accessories

2 x combination grid  
1 x universal pan

### Optional accessories

HEZ625071 : Grill tray, anthracite enamelled  
HEZ631010 : Baking tray, non-stick coated  
HEZ631070 : Baking tray, anthracite enamelled  
HEZ634000 : Baking and roasting grid (standard)  
HEZ636000 : Glass pan  
HEZ638170 : 1 level telescopic rail, full ext, pyro  
HEZ638370 : 3 level telescopic rails, full ext,pyro  
HEZ6BCA0 : Cookbook  
HEZ6BMA00 : Assembly kit for vertical installation  
HEZ915003 : Glass roasting dish, 5,4 L

## The built-in oven with AutoPilot: automatically prepares perfect dishes.

- **4D Hot Air:** even heat distribution for perfect results – on any level.
- **TFT display control:** easy-to-use thanks to the control ring with full text and symbols.
- **ColorGlass:** black glass front as a brilliant alternative to stainless steel.
- **AutoPilot 10:** every dish is a perfect success thanks to 10 pre-set automatic programmes.
- **Pyrolytic self-cleaning:** no cleaning effort thanks to automatic self-cleaning.
- Drop down door with SoftClose mechanism

### Technical Data

Color / Material Front :	Black
Built-in / Free-standing :	Built-in
Integrated Cleaning system :	Pyrolytic
Required niche size for installation (HxWxD) :	585-595 x 560-568 x 550
Dimensions of the product (mm) :	595 x 594 x 548
Dimensions of the packed product (HxWxD) (mm) :	670 x 680 x 670
Control Panel Material :	Glass
Door Material :	Glass
Net weight (kg) :	37.732
Usable volume (of cavity) - cavity 1 (l) :	71
Cooking method :	, 4D hot air, Bottom heat, Conventional heat, Defrost, Full width grill, Half width grill, Hot Air-Eco, Hot air grilling, Pizza setting
First cavity material :	Enamelled
Temperature control :	electronic
Number of interior lights :	1
Approval certificates :	CE, VDE
Length electrical supply cord (cm) :	120
EAN code :	4242002881546
Number of cavities (2010/30/EC) :	1
Energy efficiency class (2010/30/EC) :	A+
Energy consumption per cycle conventional (2010/30/EC) :	0.87
Energy consumption per cycle forced air convection (2010/30/EC) :	0.69
Energy efficiency index (2010/30/EC) :	81.2
Electrical connection rating (W) :	3600
Current (A) :	16
Voltage (V) :	220-240
Frequency (Hz) :	50; 60
Plug type :	no plug



4 242002 881546

## Serie | 8, built-in oven, Black HBG673BB1B

### The built-in oven with AutoPilot: automatically prepares perfect dishes.

---

#### Design

- 2.5"-TFT colour and text display with direct select buttons
- Drop down door, SoftClose, SoftOpen
- Stainless steel control wheel
- Straight bar handle
- Cavity inner surface: Enamel anthracite

#### Features

- Digital temperature display with proposal
  - Actual temperature display
  - Heating-up indicator
  - AutoPilot
  - Sabbath setting
- Control panel lock
  - Automatic safety switch off
  - Residual heat indicator
  - Start button
  - Door contact switch
- AutoPilot10
- Electronic clock timer
- Main on/off switch
- Interior lights, halogen
- Light on/off when oven door opened/closed
- 5 shelf positions

#### Cleaning

- Pyrolytic self-cleaning function
- Full glass inner door

#### Programmes/functions

- Oven with 10 heating methods: 4D Hotair, Hotair Gentle, conventional top and bottom heat, conventional heat Gentle, Hotair grilling, full width variable grill, half width grill, pizza function, bottom heat, defrost
- Fast pre-heating function

#### Standard accessories

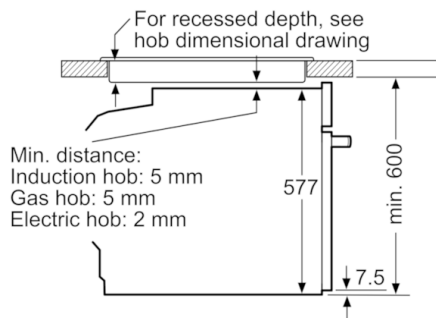
- 2 x combination grid, 1 x universal pan

#### Performance/technical information

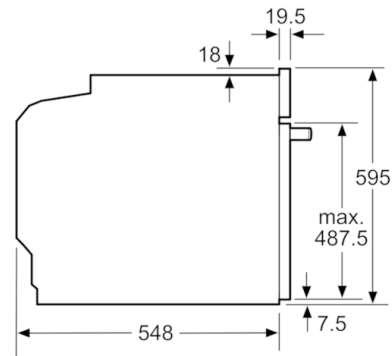
- Energy efficiency rating (acc. EU Nr. 65/2014): A+
- Energy consumption per cycle in conventional mode: 81.2
- Energy consumption per cycle in fan-forced convection mode: 0.69 kwh
- Number of cavities: 1
- Cavity volume: 71 litre capacity
- Temperature range 30 °C - 300 °C
- Integral cooling fan
- Length of mains cable: 120 cm
- Total connected load electric: 3.6 KW
- Nominal voltage: 220 - 240 V
- Appliance dimension (hxwxh): 595 mm x 594 mm x 548 mm
- Niche dimension (hxwxh): 585 mm - 595 mm x 560 mm - 568 mm x 550 mm
- Please refer to the dimensions provided in the installation manual

## Serie | 8, built-in oven, Black HBG673BB1B

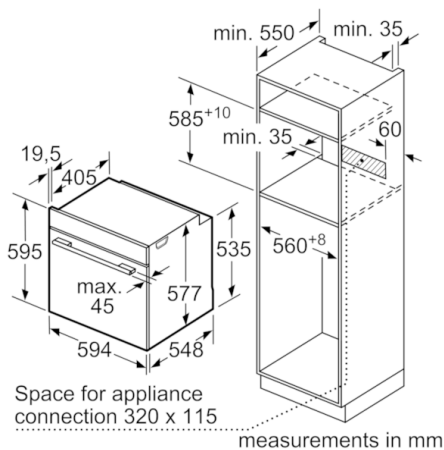
Installation with a hob.



measurements in mm



measurements in mm



If the appliance will be installed underneath a hob, the following worktop thicknesses (including substructure if necessary) must be taken into account.

Hob type	min. worktop thickness	
	fitted	flush
Induction hob	37 mm	38 mm
Full surface Induction hob	47 mm	48 mm
Gas hob	30 mm	38 mm
Electric hob	27 mm	30 mm

