

**Series 6, Built-in oven, 60 x 60 cm,  
Black  
HBG539EB0**



1 x enamel baking tray, 1 x combination grid, 1 x universal pan

HEZ327000 Pizza stone, HEZ32WA00 Wireless food thermometer, HEZ530000 Half tray, HEZ531010 Baking tray, non-stick ceramic coated, HEZ532010 Universal pan, non-stick ceramic coated, HEZ538000 1fold telescopic rail, level independent, HEZ617000 Pizza pan, enamelled, HEZ629070 Air Fry & Grill tray, HEZ631070 Baking tray, enamelled, HEZ638000 Full ext rails, level independent, HEZ660050 Cover Strip, HEZ664000 Baking and roasting grid (steam), HEZ915003 Glass roasting dish, 5,4 L, HEZG0AS00 Connecting cable 3m, HEZ632070 Multipurpose pan, enamelled, HEZ633001 Lid for professional pan, enamelled, HEZ633070 Professional pan, enamelled, HEZ634000 Baking and roasting grid (standard), HEZ636000 Glass pan

**The built-in oven with AutoPilot:  
automatically prepares perfect dishes.**

- **AutoPilot 40:** every dish is a perfect success thanks to 40 pre-set automatic programmes.
- **TFT display control:** easy-to-use thanks to display with full text and symbols.
- **Pop-out controls:** Make the front of the oven easy to clean and give it a sleek look.
- **EcoClean Direct:** less cleaning effort thanks to a special coating of the rear wall that automatically absorbs grime.
- **Cleaning Assistance:** less cleaning effort thanks to the new cleaning option, which can be especially used for cleaning of light soiling.

Built-in / Free-standing: ..... Built-in  
 Integrated Cleaning system: ..EcoClean Direct programme, Hydrolytic  
 Min. required niche size for installation (HxWxD): 585-595 x 560-568  
 x 550 mm  
 Dimensions: ..... 595 x 594 x 548 mm  
 Dimensions of the packed product (HxWxD): ..... 665 x 660 x 690 mm  
 Control Panel Material: ..... Glass  
 Door Material: ..... Glass  
 Net weight: ..... 34.7 kg  
 Usable volume (of cavity) - cavity 1: ..... 71 l  
 Cooking method: ..... Defrost, Full width grill, Hotair gentle, Hot Air,  
 Intensive heat, Half width grill, Conventional heat, Pizza setting, low  
 temperature cooking, Bottom heat, Hot air grilling, pre-heating,  
 warming  
 Oven control: ..... electronic  
 Number of interior lights: ..... 1  
 Length electrical supply cord: ..... 120.0 cm  
 EAN code: ..... 4242005198238  
 Number of cavities (2010/30/EC): .....  
 Energy efficiency rating: ..... A  
 Energy consumption per cycle conventional (2010/30/EC): ..... 0.97  
 kWh/cycle  
 Energy consumption per cycle forced air convection (2010/30/EC): 81  
 kWh/cycle  
 Energy efficiency index (2010/30/EC): ..... 95.3 %  
 Connection rating: ..... 3600 W  
 Fuse protection: ..... 16 A  
 Voltage: ..... 220-240 V  
 Frequency: ..... 50; 60 Hz  
 Plug type: .no plug (electrical connection by electrician), Gardy plug  
 w/ earthing  
 Included accessories: 1 x enamel baking tray, 1 x combination grid, 1  
 x universal pan



## Series 6, Built-in oven, 60 x 60 cm, Black HBG539EB0

### The built-in oven with AutoPilot: automatically prepares perfect dishes.

#### Features

- Oven with 13 cooking functions heating methods: 3D Hotair, conventional top and bottom heat, Hotair grilling, full width variable grill, half width grill, pizza function, bottom heat, intensive heat, low temperature cooking, defrost, plate warming, keep warm, Hotair gentle
- Temperature range 30 °C - 275 °C
- Cavity volume: 71 litre capacity

#### Level independent telescopic rails

- 5 shelf positions
- 1 level telescopic shelf, Stop function

#### Design

- Rotary dial, Retractable control dials, round
- Extra large capacity oven with grey enamel

#### Cleaning

- EcoCleanDirect : back panel
- Cleaning Assistance: hydrolyse manual
- Full glass inner door

#### Programmes/functions

- BE54
- Electronic clock timer
- Digital temperature display with proposal
- Actual temperature display Heating-up indicator AutoPilot Automatic start
- AutoPilot, 40
- Drop down door, SoftClose, SoftOpen
- Straight bar handle
- Automatic programmes
- Fast pre-heating function
- Interior halogen light, Light on/off when oven door opened/closed
- Integral cooling fan
- Info button

#### Accessories

- 1 x combination grid, 1 x enamel baking tray, 1 x universal pan

#### Features

- Maximum window temperature 40° C
- Control panel lock
- Automatic safety switch off Residual heat indicator Door contact switch

#### Technical information

- 120 cm Cable length
- Nominal voltage: 220 - 240 V
- Total connected load electric: 3.6 KW
- Energy efficiency rating (acc. EU Nr. 65/2014): A
- Energy consumption per cycle in conventional mode:0.97 kWh
- Energy consumption per cycle in fan-forced convection mode:0.81

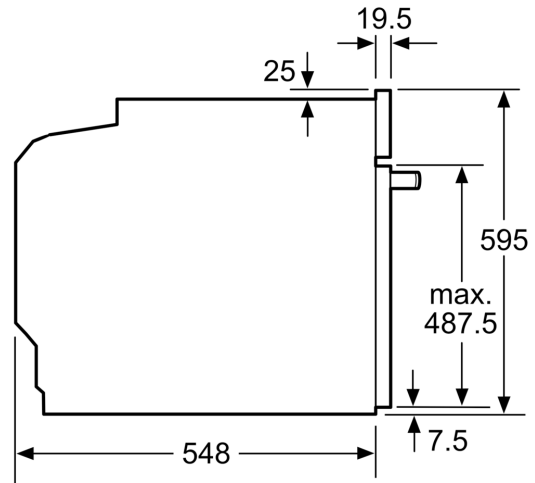
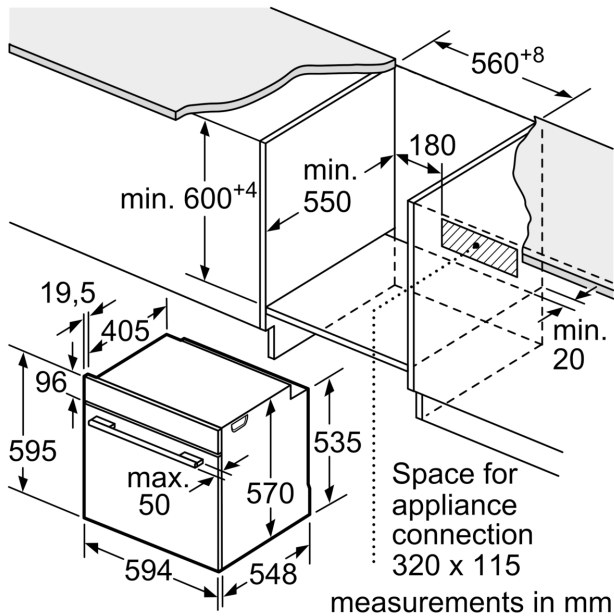
kWh

- Number of cavities: Main cavity Heat source: electrical Cavity volume:71 litre capacity

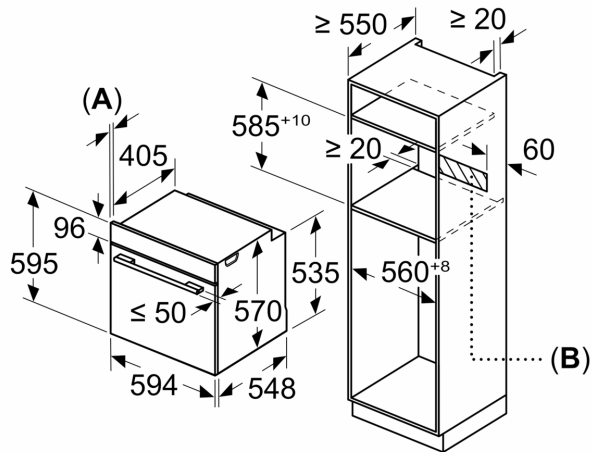
#### Performance/technical information

- Appliance dimension (hxwxd): 595 mm x 594 mm x 548 mm
- Niche dimension (hxwxd): 585 mm - 595 mm x 560 mm - 568 mm x 550 mm
- Please refer to the dimensions provided in the installation manual
- We recommend you to choose complementary products within SER6, in order to assure an optimal design combination of your Built-In appliances.

**Series 6, Built-in oven, 60 x 60 cm,  
Black  
HBG539EB0**

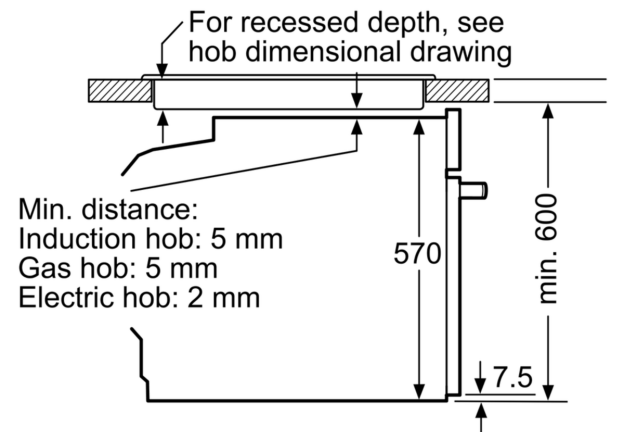


Measurements in mm



**A:** 19.5 mm  
**B:** Space for appliance connection 320 x 115 mm

Installation with a hob.



measurements in mm