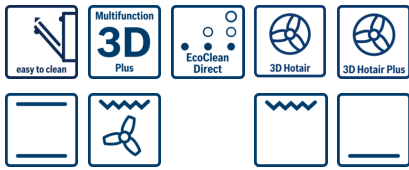


Serie | 6

Single Oven  
HBA43R150B



**The built-in oven that assists with its cleaning: you have to clean less thanks to reduced soiling during the cooking process.**

- EcoClean liners absorb and break down dirt and grime so less cleaning is required from you.
- Our unique 3D Hotair system evenly heats all 3 cooking levels for even cooking results, you don't even have to turn the food.
- **Energy efficiency class A:** Best baking results with low energy consumption.

**Technical Data**

Color / Material Front :	Stainless steel
Built-in / Free-standing :	Built-in
Integrated Cleaning system :	Ecolyse coating all sides
Required niche size for installation (HxWxD) :	575-597 x 560-568 x 550
Dimensions of the product (mm) :	595 x 595 x 548
Dimensions of the packed product (HxWxD) (mm) :	670 x 680 x 670
Control Panel Material :	Stainless steel
Door Material :	Glass
Net weight (kg) :	37.598
Usable volume (of cavity) - cavity 1 (l) :	66
Cooking method :	Bottom heat, Conventional heat, Full width variable grill, Hot Air, Hot air grilling
First cavity material :	Enamelled
Temperature control :	mechanical
Number of interior lights :	1
Approval certificates :	CE, VDE
Length electrical supply cord (cm) :	150
EAN code :	4242002898322
Number of cavities (2010/30/EC) :	1
Energy efficiency class (2010/30/EC) :	A
Energy consumption per cycle conventional (2010/30/EC) :	0.95
Energy consumption per cycle forced air convection (2010/30/EC) :	0.82
Energy efficiency index (2010/30/EC) :	98.8
Electrical connection rating (W) :	2990
Current (A) :	13
Voltage (V) :	220-240
Frequency (Hz) :	50; 60
Plug type :	no plug

**Included accessories**

- 1 x insert grid
- 2 x combination grid
- 1 x universal pan



## Serie | 6 Ovens

### Single Oven HBA43R150B

**The built-in oven that assists with its cleaning: you have to clean less thanks to reduced soiling during the cooking process.**

#### Key Information

- 
- Drop down door

#### Design

- Retractable control dials
- Straight bar handle

#### Features

- Electronic clock timer
- 1 interior light
- Round light
- Control panel lock
- Cavity inner surface: Enamel
- Smooth enamelled oven interior
- 5 shelf positions
- Full glass inner door

#### Programmes/functions

- Oven with 5 heating methods: 3D hot air, conventional top and bottom heat, Hotair grilling, bottom heat
- Fast pre-heating function

#### Performance/technical information

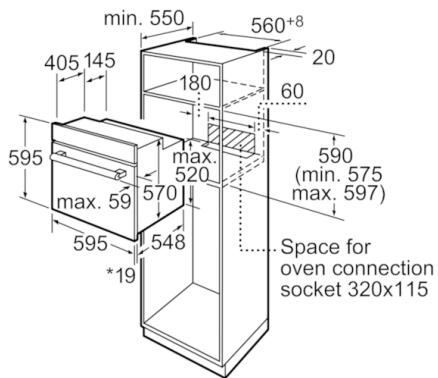
- Cavity volume: 66 litre
- Integral cooling fan
- Length of mains cable: 150 cm
- Total connected load electric: 2.99 KW
- Appliance dimension (hxwd): 595 mm x 595 mm x 548 mm
- Niche dimension (hxwd): 575 mm - 597 mm x 560 mm - 568 mm x 550 mm
- Maximum window temperature 40° C
- Energy efficiency rating (acc. EU Nr. 65/2014):  
Energy consumption per cycle in conventional mode: 98.8  
Energy consumption per cycle in fan-forced convection mode: 0.82 kwh  
Number of cavities: 1  
Cavity volume: 66 litre
- Please refer to the dimensions provided in the installation manual

#### Standard accessories

- 1 level telescopic shelf, Stop function, standard extension
- 1 x insert grid, 2 x combination grid, 1 x universal pan

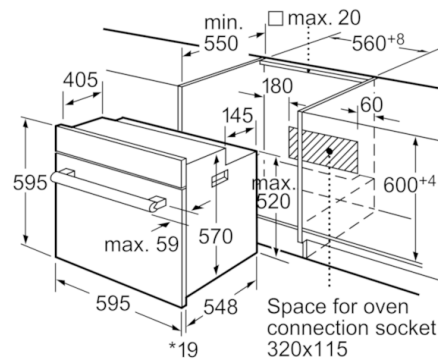
## Serie | 6 Ovens

### Single Oven HBA43R150B



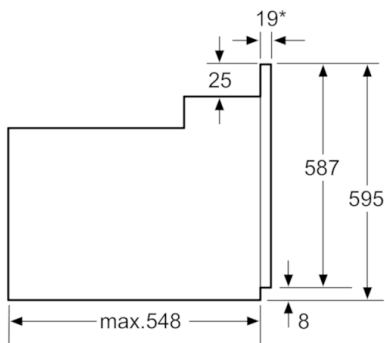
\*20 mm for metal fascias

Measurements in mm



\*20 mm for metal fascias

Measurements in mm



\* 20 mm for metal fascias

Dimensions in mm