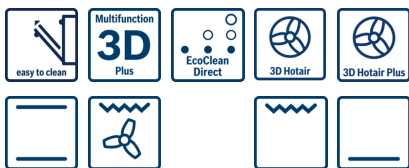


Serie | 6
**Single Oven
HBA23B151B**

Included accessories

- 1 x insert grid
- 2 x combination grid
- 1 x universal pan

Optional accessories

- HEZ338357 : 3 level telescopic shelf rails,full ext.

The built-in oven that assists with its cleaning: you have to clean less thanks to reduced soiling during the cooking process.

- EcoClean liners absorb and break down dirt and grime so less cleaning is required from you.
- Our unique 3D Hotair system evenly heats all 3 cooking levels for even cooking results, you don't even have to turn the food.

Technical Data

Color / Material Front :	Stainless steel
Built-in / Free-standing :	Built-in
Integrated Cleaning system :	No
Required niche size for installation (HxWxD) :	575-597 x 560-568 x 550
Dimensions of the product (mm) :	595 x 595 x 548
Dimensions of the packed product (HxWxD) (mm) :	670 x 680 x 670
Control Panel Material :	Stainless steel
Door Material :	Glass
Net weight (kg) :	36.098
Usable volume (of cavity) - cavity 1 (l) :	66
Cooking method :	Bottom heat, Conventional heat, Full width variable grill, Hot Air, Hot air grilling
First cavity material :	Enamelled
Temperature control :	mechanical
Number of interior lights :	1
Approval certificates :	CE, VDE
Length electrical supply cord (cm) :	150
EAN code :	4242002898292
Number of cavities (2010/30/EC) :	1
Energy efficiency class (2010/30/EC) :	A
Energy consumption per cycle conventional (2010/30/EC) :	0.91
Energy consumption per cycle forced air convection (2010/30/EC) :	0.81
Energy efficiency index (2010/30/EC) :	97.6
Electrical connection rating (W) :	2990
Current (A) :	13
Voltage (V) :	220-240
Frequency (Hz) :	60; 50
Plug type :	no plug



Serie | 6 Ovens

Single Oven HBA23B151B

Accessories

The built-in oven that assists with its cleaning: you have to clean less thanks to reduced soiling during the cooking process.

Key Information

-
- Drop down door

Design

- Retractable control dials
- Straight bar handle

Features

- Electronic clock timer
- 1 interior light
- Round light
- Control panel lock
- Cavity inner surface: Enamel
- Smooth enamelled oven interior
- 5 shelf positions
- Full glass inner door

Programmes/functions

- Oven with 5 heating methods: 3D hot air, conventional top and bottom heat, Hotair grilling, bottom heat
- Fast pre-heating function

Performance/technical information

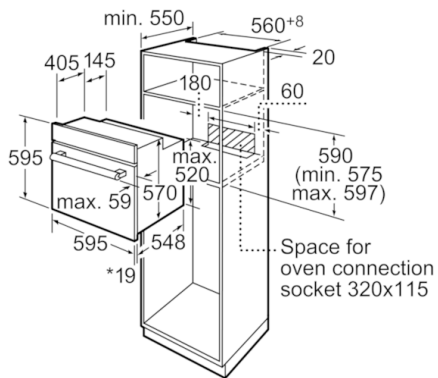
- Cavity volume: 66 litre
- Integral cooling fan
- Stainless-steel fan
- Length of mains cable: 150 cm
- Total connected load electric: 2.99 KW
- Appliance dimension (hxwxh): 595 mm x 595 mm x 548 mm
- Niche dimension (hxwxh): 575 mm - 597 mm x 560 mm - 568 mm x 550 mm
- Please refer to the dimensions provided in the installation manual
- Maximum window temperature 40° C
- Energy efficiency rating (acc. EU Nr. 65/2014):
Energy consumption per cycle in conventional mode: 97.6
Energy consumption per cycle in fan-forced convection mode: 0.81 kwh
Number of cavities: 1
Cavity volume: 66 litre

Standard accessories

-
- 1 x insert grid, 2 x combination grid, 1 x universal pan

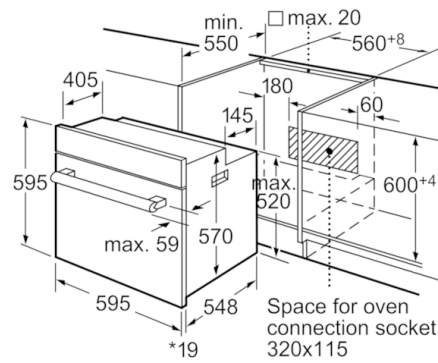
Serie | 6 Ovens

Single Oven HBA23B151B



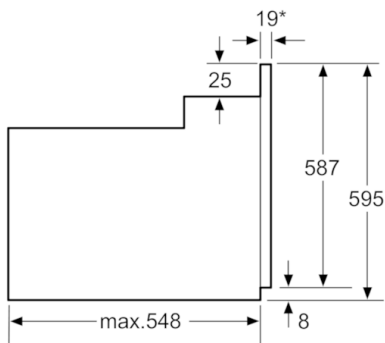
*20 mm for metal fascias

Measurements in mm



*20 mm for metal fascias

Measurements in mm



* 20 mm for metal fascias

Dimensions in mm