

**Series 6, Built-in oven, 60 x 60 cm,  
Stainless steel  
HBA23B150B**



**Included accessories**

1 x insert grid, 2 x combination grid, 1 x universal pan

**Optional accessories**

HEZ24D300 System steam cooker, HEZ317000 Pizza pan, enamelled, HEZ324000 Inlaid wire shelf for multipurpose pan, HEZ325000 Grill tray, HEZ327000 Pizza stone, HEZ329020 EcoClean set, HEZ331003 Enamelled baking tray, HEZ331011 Baking tray, anti-adherent coating, HEZ332003 Multipurpose pan, HEZ332011 Multipurpose pan, anti-adherent, HEZ333001 Lid for professional pan, HEZ333003 Professional pan, HEZ334000 Wire shelf, HEZ336000 Glass pan, HEZ336000 Glass pan, HEZ338250 2 level telescopic shelf rails, HEZ338352 3 level telescopic shelf rails, full ext., HEZ338357 3 level telescopic shelf rails, full ext., HEZ390010 Stainless steel roaster, HEZ915003 Glass roasting dish, 5,4 L

**The built-in oven that assists with its cleaning: you have to clean less thanks to reduced soiling during the cooking process.**

- **3D Hotair:** even heat distribution for perfect results on up to three levels.
- **EcoClean Direct:** less cleaning effort thanks to a special coating of the rear wall that automatically absorbs grime.
- **Fast pre heating**

**Technical Data**

Built-in / Free-standing: ..... Built-in  
 Integrated Cleaning system: ..... Catalytic partial  
 Dimensions: ..... 595 x 595 x 548 mm  
 Dimensions of the packed product (HxWxD): ..... 660 x 660 x 680 mm  
 Control Panel Material: ..... Stainless steel  
 Door Material: ..... Glass  
 Net weight: ..... 35.8 kg  
 Usable volume (of cavity) - cavity 1: ..... 66 l  
 Cooking method: .... Hot Air, Conventional heat, Bottom heat, Hot air grilling, Full width variable grill  
 Oven control: ..... mechanical  
 Number of interior lights: ..... 1  
 Length electrical supply cord: ..... 134.5 cm  
 EAN code: ..... 4242002708140  
 Number of cavities (2010/30/EC): ..... 1  
 Energy efficiency rating: ..... A  
 Energy consumption per cycle conventional (2010/30/EC): ..... 0.93 kWh/cycle  
 Energy consumption per cycle forced air convection (2010/30/EC): 84 kWh/cycle  
 Energy efficiency index (2010/30/EC): ..... 101.2 %  
 Connection rating: ..... 2990 W  
 Fuse protection: ..... 13 A  
 Voltage: ..... 220-240 V  
 Frequency: ..... 50; 60 Hz  
 Plug type: ..... no plug (electrical connection by electrician)  
 Included accessories: ..... 1 x insert grid, 2 x combination grid, 1 x universal pan



## **Series 6, Built-in oven, 60 x 60 cm, Stainless steel HBA23B150B**

**The built-in oven that assists with its cleaning: you have to clean less thanks to reduced soiling during the cooking process.**

---

### **Design**

- Control panel height 11.5 cm
- Single display window
- Standard control dials
- Push buttons
- Straight bar handle
- Horizontal strip door design
- Drop down door

### **Features**

- Electronic clock timer
- Automatic on/off programmer
- 1 interior light
- Control panel lock
- Smooth enamelled oven interior
- Easy fit shelf support rails
- 5 shelf positions
- EcoClean® Liners (back)
- Full glass inner door
- Drop down door
- Heat reflective glass

### **Programmes/functions**

- 5 cooking functions:
- 3D Hotair, full width variable grill, Hotair grilling, conventional top and bottom heat, bottom heat
- Fast pre-heating function

### **Performance/technical information**

- Oven capacity: 67 litre
- Energy efficiency class: A-20% than the standard value (0.99 kWh) for qualifying for energy class A

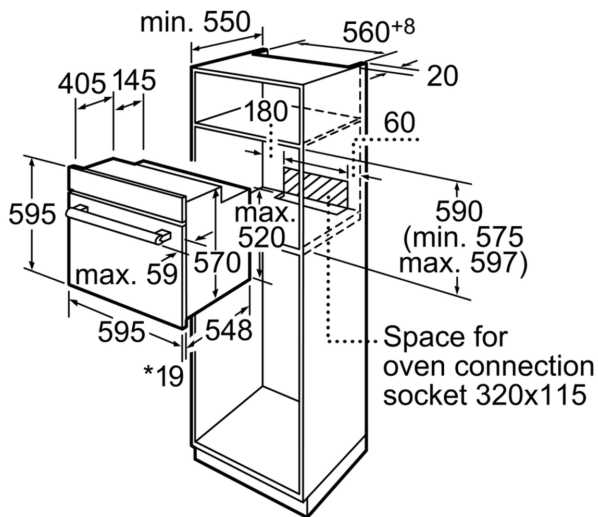
### **Standard accessories**

- Full width enamelled pan
- Wire pan insert
- 2 wire shelves
- Oven cook book

### **Accessories**

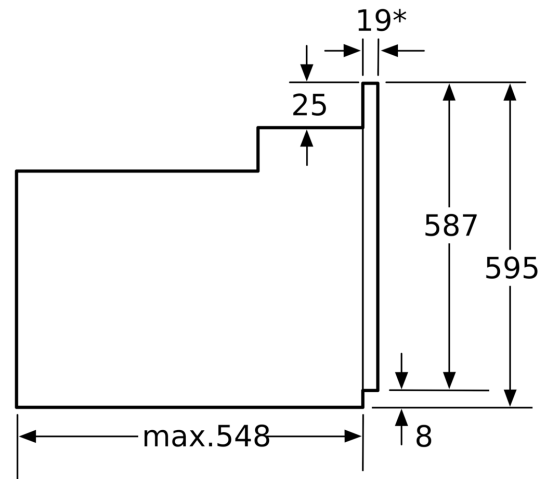
- 3 level telescopic rails with stop function - HZ338357
- Heat reflective glass

**Series 6, Built-in oven, 60 x 60 cm,  
Stainless steel  
HBA23B150B**



\*20 mm for metal fascias

Measurements in mm



\* 20 mm for metal fascias

Dimensions in mm