

IQ700, Built-in oven, 60 x 60 cm, Black HB974GLB1B



A+



The intelligent oven with Oven Assistant with Voice Control, activeClean for effortless oven cleaning and roastingSensor for excellent results.

- ✓ TFT-Touchdisplay – Touch navigation for intuitive operation.
- ✓ cookControl Pro – Excellent results, whatever the recipe or circumstances.
- ✓ Oven Assistant with Voice Control – Intuitively set the right programme.
- ✓ activeClean® – The automatic, self-cleaning oven system.
- ✓ Home Connect with Remote Control and Monitoring – Unlock the full potential of your smart oven.

Features

Technical Data

Built-in / Free-standing: Built-in
 Integrated Cleaning system: Pyrolytic+Hydrolytic
 Min. required niche size for installation (HxWxD): 585-595 x 560-568 x 550 mm
 Dimensions: 595 x 594 x 548 mm
 Dimensions of the packed product (HxWxD): ... 670 x 670 x 680 mm
 Control Panel Material: Glass
 Door Material: Glass
 Weight: 38.8 kg
 Usable volume (of cavity) - cavity 1: 71 l
 Heating Types: Full width grill, Hotair gentle, Hot Air, Half width grill, Conventional heat, Conventional heat gentle, Pizza setting, low temperature cooking, Deep-frozen food special, Bottom heat, Hot air grilling, pre-heating, warming
 Oven control:electronic
 Number of interior lights:1
 Length electrical supply cord: 120.0 cm
 EAN code:4242003902066
 Number of cavities (2010/30/EC):1
 Energy efficiency rating: A+
 Energy consumption per cycle conventional (2010/30/EC):0.87 kWh/cycle
 Energy consumption per cycle forced air convection (2010/30/EC): 0.69 kWh/cycle
 Energy efficiency index (2010/30/EC): 81.2 %
 Connection Rating: 3600 W
 Fuse protection:16 A
 Nominal power:220-240 V
 Frequency:50; 60 Hz
 Plug type:no plug (electrical connection by electrician)
 Included accessories: 2 x combination grid, 1 x universal pan



Included accessories

2 x combination grid, 1 x universal pan

Optional accessories

HZ634000 Baking and roasting grid (standard), HZ638070 Full ext rails, level independent, pyro, HZ664000 Baking and roasting grid (steam), HZ66X650 Cover Strip, HZ6BMA00 Assembly kit for vertical installation, HZ915003 Glass roasting dish, 5,4 L, HZ327000 Baking stone, HZ32WA00 Wireless food thermometer, HZ531010 Baking tray, non-stick ceramic coated, HZ532010 Universal pan, non-stick ceramic coated, HZ617000 Pizza pan, enamelled, HZ629070 Air Fry & Grill tray, HZ631070 Baking tray, enamelled, HZ632070 Multipurpose pan, enamelled, HZ633001 Lid for professional pan, enamelled, HZ633070 Professional pan, enamelled, HZ633073 Professional pan, enamelled

IQ700, Built-in oven, 60 x 60 cm, Black HB974GLB1B

Features

Features

- Oven with 13 heating methods: 3D hot air cooking, conventional, hot air grilling, full width grill, half width grill, Pizza Setting, coolStart, bottom heat, low temperature cooking, keep warm, plate warming, Hotair gentle, Conventional heat gentle
- Temperature range 30 °C - 275 °C
- Cavity volume: 71 litres

Level independent telescopic rails

- 5 shelf positions
- 1 varioClip rail, full extension, Stop function, pyrolytic proof

Design

- studioLine Black Steel Design
- Touch control
- studioLine Glass handle
- Cavity inner surface: enamel anthracite

Cleaning

- activeClean
- hydrolyse program
- Full glass inner door

Programmes/functions

- Oven Assistant with Voice Control
- SE61
- Electronic oven clock timer
- Automatic temperature proposal
- Actual temperature display Heating-up indicator meat probe
- Drop down oven door, softClose, softOpen
- cookControl Plus
- roastingSensor
- Fast pre-heat
- coolStart
- LED light, Light on/off when door opened/closed
- Integral cooling fan
- WLAN - Home connect enabled

Accessories

- 2 x combination grid, 1 x universal pan

Features

- Maximum door temperature 30 °C
- Low door temperature during pyrolytic cleaning
- Quadruple glazed door with heat reflective glass glazed CoolTouch door
- Electronic door lock
- Control panel lock Automatic safety switch off Residual heat indicator Start button Door contact switch

Technical information

- 120 cm Cable length
- Nominal voltage: 220 - 240 V

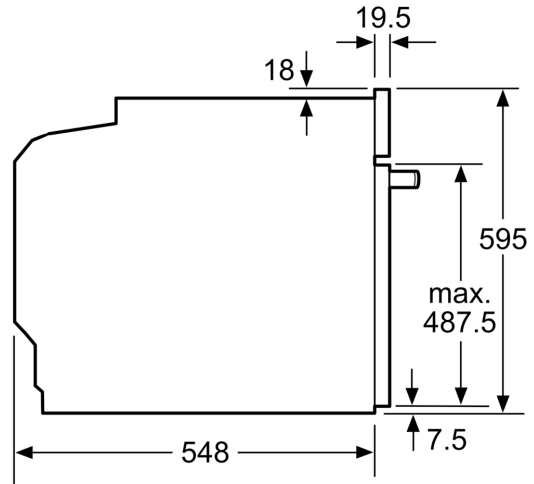
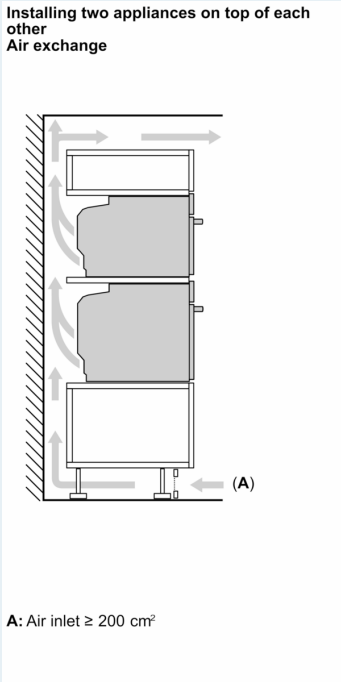
- Total connected load electric: 3.6 KW
- Energy efficiency rating (acc. EU Nr. 65/2014): A+
- Energy consumption per cycle in conventional mode:0.87 kWh
- Energy consumption per cycle in fan-forced convection mode:0.69 kWh
- Number of cavities: Main cavity Heat source: electrical Cavity volume:71 litres

Performance/technical information

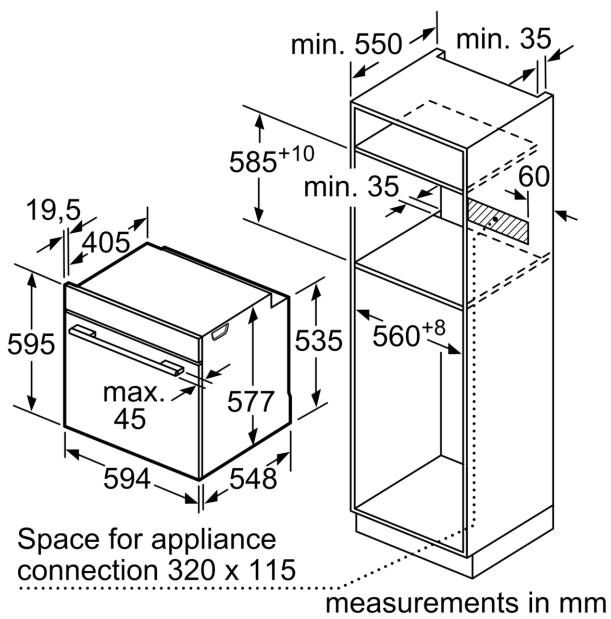
- Appliance dimension (hxwxh): 595 mm x 594 mm x 548 mm
- Niche dimension (hxwxh): 585 mm - 595 mm x 560 mm - 568 mm x 550 mm
- Please refer to the dimensions provided in the installation manual

**IQ700, Built-in oven, 60 x 60 cm,
Black
HB974GLB1B**

Dimensioned drawings



measurements in mm



If the appliance will be installed underneath a hob, the following worktop thicknesses (including substructure if necessary) must be taken into account.

Hob type	min. worktop thickness	
	fitted	flush
Induction hob	37 mm	38 mm
Full surface Induction hob	47 mm	48 mm
Gas hob	30 mm	38 mm
Electric hob	27 mm	30 mm

Dimensioned drawings

