

## IQ700, Built-in oven, 60 x 60 cm, Black HB736G1B1B



A+



- ✓ TFT-Touchdisplay Plus – Smooth-touch navigation for simple and intuitive operation.
- ✓ Oven Assistant with Voice Control – Intuitively set the right programme.
- ✓ ecoClean: Cut down on oven cleaning
- ✓ humidClean Plus - For fast cleaning dirt is softened beforehand by vaporizing soapy water. It can then be removed more easily.
- ✓ Home Connect with Remote Control and Monitoring – Unlock the full potential of your smart oven.

### Features

#### Technical Data

Built-in / Free-standing: ..... Built-in  
 Integrated Cleaning system: ..... ecoClean programme, Hydrolytic  
 Min. required niche size for installation (HxWxD): ..... 585-595 x 560-568 x 550 mm  
 Dimensions: ..... 595 x 594 x 548 mm  
 Dimensions of the packed product (HxWxD): ... 675 x 660 x 690 mm  
 Control Panel Material: ..... Glass  
 Door Material: ..... Glass  
 Weight: ..... 36.2 kg  
 Usable volume (of cavity) - cavity 1: ..... 71 l  
 Heating Types: .4D hot air, Full width grill, Hotair gentle, Half width grill, Conventional heat, Conventional heat gentle, Pizza setting, low temperature cooking, Deep-frozen food special, Bottom heat, Hot air grilling, pre-heating, warming  
 Oven control: ..... electronic  
 Number of interior lights: ..... 1  
 Length electrical supply cord: ..... 120.0 cm  
 EAN code: ..... 4242003901670  
 Number of cavities (2010/30/EC): ..... 1  
 Energy efficiency rating: ..... A+  
 Energy consumption per cycle conventional (2010/30/EC): ..... 0.87 kWh/cycle  
 Energy consumption per cycle forced air convection (2010/30/EC): 0.69 kWh/cycle  
 Energy efficiency index (2010/30/EC): ..... 81.2 %  
 Connection Rating: ..... 3600 W  
 Fuse protection: ..... 16 A  
 Nominal power: ..... 220-240 V  
 Frequency: ..... 50; 60 Hz  
 Plug type: ..... no plug (electrical connection by electrician)  
 Included accessories: ..... 2 x combination grid, 1 x universal pan



#### Included accessories

2 x combination grid, 1 x universal pan

#### Optional accessories

HZ327000 Baking stone, HZ32WA00 Wireless food thermometer, HZ530000 2 multipurpose pans, slim size, HZ531010 Baking tray, non-stick ceramic coated, HZ532010 Universal pan, non-stick ceramic coated, HZ538000 varioClip rail, HZ617000 Pizza pan, enamelled, HZ629070 Air Fry & Grill tray, HZ631070 Baking tray, enamelled, HZ632070 Multipurpose pan, enamelled, HZ633001 Lid for professional pan, enamelled, HZ633070 Professional pan, enamelled, HZ633073 Professional pan, enamelled, HZ634000 Baking and roasting grid (standard), HZ635000 AirFry & Grill Set, HZ636000 Glass pan, HZ638000 Full ext rails, level independent, HZ664000 Baking and roasting grid (steam), HZ66X650 Cover Strip, HZ915003 Glass roasting dish, 5,4 L

## IQ700, Built-in oven, 60 x 60 cm, Black HB736G1B1B

### Features

#### Features

- Oven with 13 heating methods: 4D hot air, conventional, hot air grilling, full width grill, half width grill, Pizza Setting, coolStart, bottom heat, low temperature cooking, keep warm, plate warming, Hotair gentle, Conventional heat gentle
- Temperature range 30 °C - 275 °C
- Cavity volume: 71 litres

#### Level independent telescopic rails

- 5 shelf positions
- Cavity with shelf support rails

#### Design

- Touch control
- Cavity inner surface: enamel anthracite

#### Cleaning

- EcoCleanDirect : back panel
- hydrolyse program
- Full glass inner door

#### Programmes/functions

- Oven Assistant with Voice Control
- SE62
- Electronic oven clock timer
- Automatic temperature proposal
- Actual temperature display Heating-up indicator
- Drop down oven door, softClose, softOpen
- cookControl Plus
- Fast pre-heat
- coolStart
- LED light, Light on/off when door opened/closed
- Integral cooling fan
- WLAN - Home connect enabled

#### Accessories

- 2 x combination grid, 1 x universal pan

#### Features

- Heat reflective glass
- Control panel lock
- Automatic safety switch off Residual heat indicator Start button Door contact switch

#### Technical information

- 120 cm Cable length
- Nominal voltage: 220 - 240 V
- Total connected load electric: 3.6 KW
- Energy efficiency rating (acc. EU Nr. 65/2014): A+
- Energy consumption per cycle in conventional mode:0.87 kWh
- Energy consumption per cycle in fan-forced convection mode:0.69 kWh
- Number of cavities: Main cavity Heat source: electrical Cavity

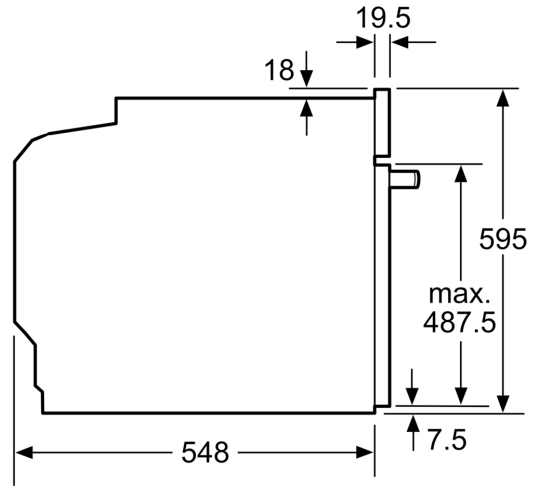
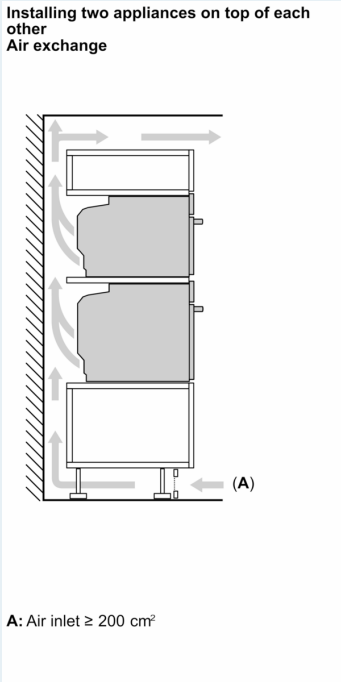
volume:71 litres

#### Performance/technical information

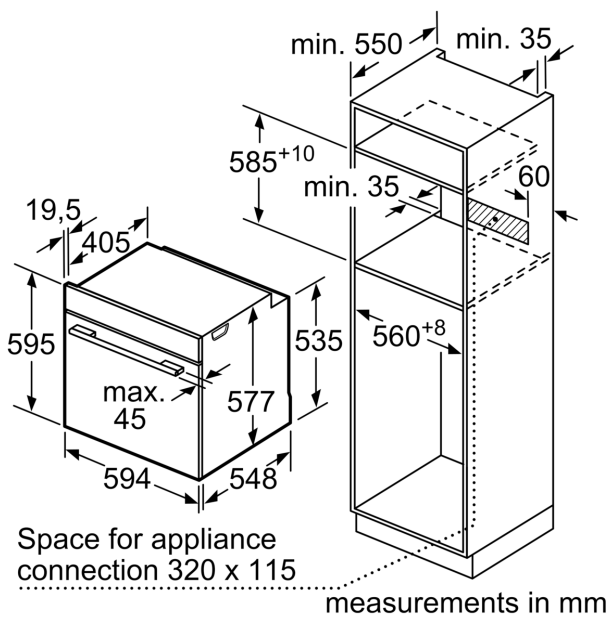
- Appliance dimension (hxwxd): 595 mm x 594 mm x 548 mm
- Niche dimension (hxwxd): 585 mm - 595 mm x 560 mm - 568 mm x 550 mm
- Please refer to the dimensions provided in the installation manual

**IQ700, Built-in oven, 60 x 60 cm,  
Black  
HB736G1B1B**

Dimensioned drawings



measurements in mm



If the appliance will be installed underneath a hob, the following worktop thicknesses (including substructure if necessary) must be taken into account.

Hob type	min. worktop thickness	
	fitted	flush
Induction hob	37 mm	38 mm
Full surface Induction hob	47 mm	48 mm
Gas hob	30 mm	38 mm
Electric hob	27 mm	30 mm

Dimensioned drawings

