



**iQ700, built-in oven, 60 x 60 cm,
Stainless steel
HB632GBS1B**



Shorten your cooking time thanks to fast preheat and coolStart.

- ✓ fastPreheat – Heat the oven quickly. coolStart – Eliminate preheating for frozen foods.
- ✓ ecoClean: Cut down on oven cleaning
- ✓ TFT Display: good readability from any perspective.
- ✓ 4D hotAir – Even heat distribution for excellent results on any level.
- ✓ softMove: gentle opening and closing of the oven door.

Features

Technical Data

Color / Material Front : Stainless steel
 Built-in / Free-standing : Built-in
 Integrated Cleaning system : Catalytic partial
 Min. required niche size for installation (HxWxD) : 585-595 x 560-568 x 550 mm
 Dimensions : 595 x 594 x 548 mm
 Dimensions of the packed product (HxWxD) : 670 x 680 x 670 mm
 Control Panel Material : Stainless steel
 Door Material : Glass
 Net weight : 34.8 kg
 Usable volume (of cavity) - cavity 1 : 71 l
 Cooking method : , 4D Hotair, Conventional heat, Deep-frozen food special, Full width grill, Hot Air-Eco, Hot air grilling, Pizza setting
 Oven control : electronic
 Number of interior lights : 1
 Length electrical supply cord : 120 cm
 EAN code : 4242003672495
 Number of cavities (2010/30/EC) : 1
 Energy efficiency rating : A+
 Energy consumption per cycle conventional (2010/30/EC) : 0.87 kWh/cycle
 Energy consumption per cycle forced air convection (2010/30/EC) : 0.69 kWh/cycle
 Energy efficiency index (2010/30/EC) : 81.2 %
 Connection Rating : 3600 W
 Fuse protection : 16 A
 Voltage : 220-240 V
 Frequency : 60; 50 Hz
 Plug type : no plug (electrical connection by electrician)
 Included accessories : 2 x combination grid, 1 x universal pan

Included accessories

2 x combination grid
 1 x universal pan

Optional accessories

HZ915003 Glass roasting dish, 5,4 L
 HZ638300 3 level telescopic rails, full ext
 HZ638100 1 level telescopic shelf rails, full ext
 HZ636000 Glass pan
 HZ634000 Baking and roasting grid (standard)
 HZ631070 Baking tray, anthracite enamelled
 HZ625071 Grill tray, anthracite enamelled
 HZ531010 Baking tray, non-stick ceramic coated





iQ700, built-in oven, 60 x 60 cm, Stainless steel HB632GBS1B

Features

Design

- 2.8" TFT Display
- Cavity inner surface: enamel anthracite
- Drop down oven door, softClose, softOpen
-
- Interior halogen light, Light on/off when door opened/closed
- 5 shelf positions
- Stainless steel control dial
- Bar handle

Features

- Automatic temperature proposal
- Actual temperature display Heating-up indicator
- Control panel lock
- Automatic safety switch off Residual heat indicator Start button Door contact switch
-
- Electronic oven clock timer
- Integral cooling fan
- coolStart

Cleaning

- EcoCleanDirect : back panel

Programmes/functions

- Oven with 8 main functions, 8 main functions heating methods: 4D hot air, hotairGentle, conventional, Conventional heat Gentle, hot air grilling, full width grill, Pizza Setting, coolStart
- Fast pre-heat

Accessories

- 1 x universal pan, 2 x combination grid

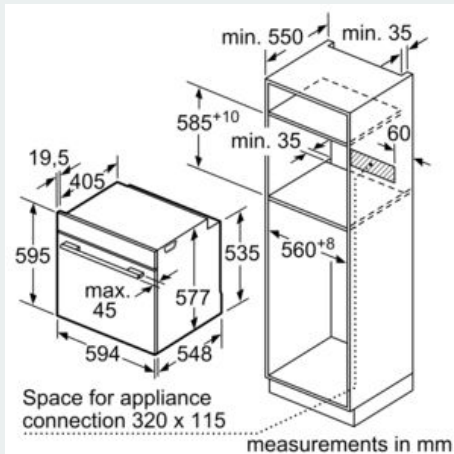
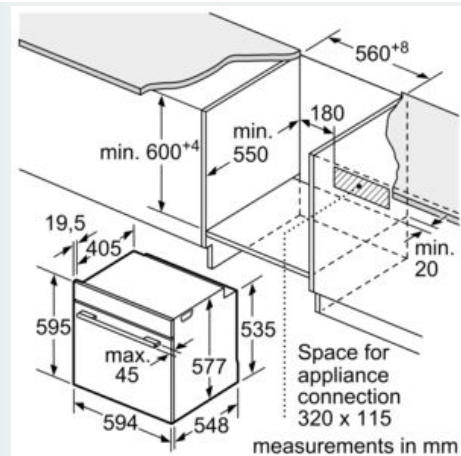
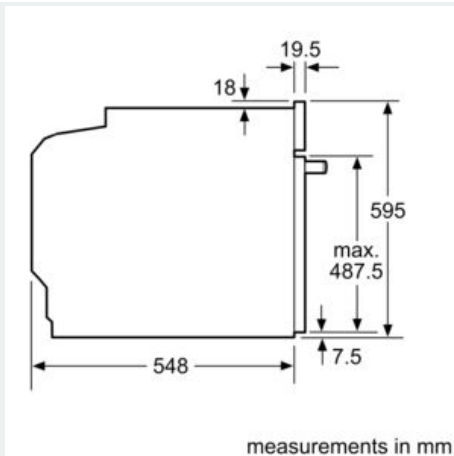
Technical information

- Energy efficiency rating (acc. EU Nr. 65/2014): A+
- Energy consumption per cycle in conventional mode:0.87 kWh
- Energy consumption per cycle in fan-forced convection mode:0.69 kWh
- Number of cavities: Main cavity Heat source: electrical Cavity volume:71 litres
- Temperature range 30 °C - 275 °C
- Total connected load electric: 3.6 KW
- 120 cm Cable length
- Nominal voltage: 220 - 240 V
- Appliance dimension (hxwxd): 595 mm x 594 mm x 548 mm
- Niche dimension (hxwxd): 585 mm - 595 mm x 560 mm - 568 mm x 550 mm
- Please refer to the dimensions provided in the installation manual



**iQ700, built-in oven, 60 x 60 cm,
Stainless steel
HB632GBS1B**

Dimensioned drawings



If the appliance will be installed underneath a hob, the following worktop thicknesses (including substructure if necessary) must be taken into account.

Hob type	min. worktop thickness	
	fitted	flush
Induction hob	37 mm	38 mm
Full surface Induction hob	47 mm	48 mm
Gas hob	30 mm	38 mm
Electric hob	27 mm	30 mm