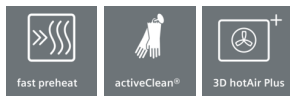


**iQ500, built-in oven, 60 x 60 cm,
Stainless steel
HB578A0S0B**



Shorten your cooking time thanks to fast preheat, coolStart and activeClean

- ✓ fast preheat: reach the required baking temperature sooner;
- coolStart: no need to preheat the oven for deep frozen food.
- ✓ activeClean: the automatic system for effortless cleaning.
- ✓ 3D hotAir: perfect baking results on up to 3 shelves thanks to innovative heat distribution.

Features

Technical Data

Color / Material Front : Stainless steel
 Built-in / Free-standing : Built-in
 Integrated Cleaning system : Pyrolytic
 Required niche size for installation (HxWxD) : 585-595 x 560-568 x 550
 Dimensions : 595 x 594 x 548
 Dimensions of the packed product (HxWxD) (mm) : 675 x 690 x 660
 Control Panel Material : Glass
 Door Material : Glass
 Net weight (kg) : 38.180
 Usable volume (of cavity) - cavity 1 (l) : 71
 Cooking method : Bottom heat, Conventional heat, Full width grill, Hot Air, Hotair gentle, Hot air grilling, low temperature cooking, Pizza setting
 First cavity material : Other
 Temperature control : electronic
 Number of interior lights : 1
 Approval certificates : CE, VDE
 Length electrical supply cord (cm) : 120
 EAN code : 4242003815373
 Number of cavities (2010/30/EC) : 1
 Energy efficiency rating : A
 Energy consumption per cycle conventional (2010/30/EC) : 0.99
 Energy consumption per cycle forced air convection (2010/30/EC) : 0.81
 Energy efficiency index (2010/30/EC) : 95.3
 Connection Rating (W) : 3600
 Current (A) : 16
 Voltage (V) : 220-240
 Frequency (Hz) : 60; 50
 Plug type : no plug

Optional accessories

HZ915003
 HZ638300
 HZ634000 Baking and roasting grid (standard)
 HZ538000
 HZ531010
 HZ531000



iQ500, built-in oven, 60 x 60 cm, Stainless steel HB578A0S0B

Features

Design

- LCD Display (White)
- lightControl: intuitive operation thanks to the illuminated dials
- Cavity inner surface: enamel grey
- Stainless steel control dial, lightControl: intuitive operation thanks to the illuminated dials, round
- Bar handle
- We recommend you to choose complementary products within iQ500, in order to assure an optimal design combination of your Built-In appliances.

Features

- Automatic temperature proposal
- Heating-up indicator
- cookControl
- Automatic start
-
- Electronic door lock
- Control panel lock
- Automatic safety switch off
- Residual heat indicator
-
-
- cookControl, 30
- Electronic oven clock timer
- Interior halogen light
- Integral cooling fan
- 5 shelf positions

Cleaning

- activeClean
- Full glass inner door

Programmes/functions

- Oven with 9 PC heating methods: 3D hot air cooking, conventional, hot air grilling, full width grill, Pizza Setting, coolStart, bottom heat, low temperature cooking, Hotair gentle
- Automatic programmes
- Fast pre-heat

Accessories

- 1 x universal pan, 2 x combination grid
- 1 varioClip rail, Stop function

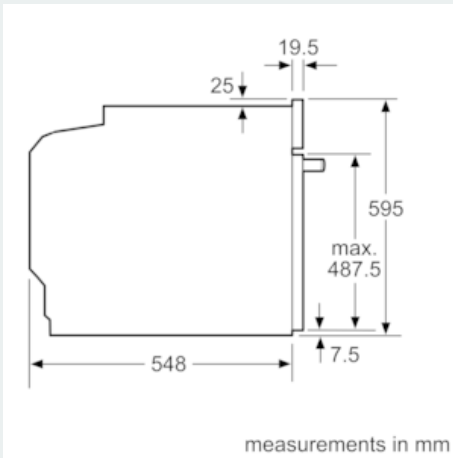
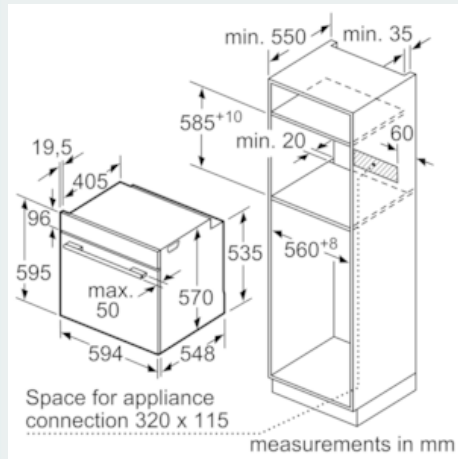
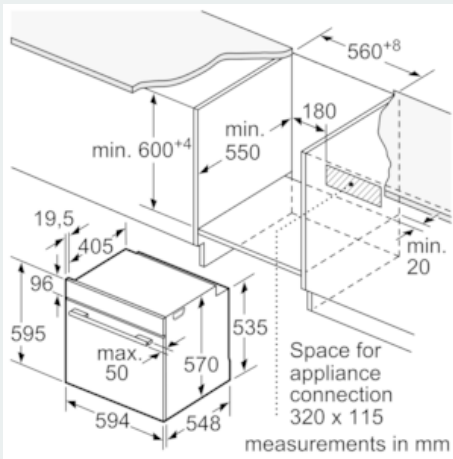
Technical information

- Energy efficiency rating (acc. EU Nr. 65/2014): A
- Energy consumption per cycle in conventional mode: 0.99 kWh
- Energy consumption per cycle in fan-forced convection mode: 0.81 kWh
- Number of cavities: Main cavity
- Heat source: electrical
- Cavity volume: 71 litres
- Temperature range 30 °C - 275 °C
- Total connected load electric: 3.6 KW
- 120 cm Cable length
- Nominal voltage: 220 - 240 V
- Appliance dimension (hxwxd): 595 mm x 594 mm x 548 mm
- Niche dimension (hxwxd): 585 mm - 595 mm x 560 mm - 568 mm x 550 mm

- Please refer to the dimensions provided in the installation manual

**iQ500, built-in oven, 60 x 60 cm,
Stainless steel
HB578A0S0B**

Dimensioned drawings



Installation with a hob.

