

**iQ500, built-under freezer, 82 x 59.8
cm
GU15DAFF0G**



undercounter freezer with 3 handy transparent freezer drawers and superFreezing for freezing foods faster.

- ✓ superFreezing – Quick-freeze even large amounts of food.
- ✓ The multiAlarm system notifies you visually and acoustically if the temperature goes up.
- ✓ The superFreezing button reduces the temperature for a set time, to quickly freeze newly added food items.

Features

Technical Data

Energy Efficiency Class: F
 Average annual energy consumption in kilowatt hour per year (kWh/a):
 224 kWh/annum
 Sum of volume of frozen compartments: 106 l
 Airborne acoustical noise emissions : 38 dB
 Airborne acoustical noise emission class: C
 Thermometer freeze section: Analog
 Light: No
 Product category: Upright freezer
 Built-in / Free-standing: Built-in
 Door panel options: Possible but accessory
 Frost free system: No
 Height without worktop / build under: 820 mm
 Width of the appliance: 598 mm
 Depth: 548 mm
 Dimensions of the packed product (HxWxD): 890 x 620 x 670 mm
 Net weight: 36.771 kg
 Gross weight: 39.7 kg
 Connection Rating: 90 W
 Fuse protection: 13 A
 Frequency: 50 Hz
 Approval certificates: CE, G-Mark, VDE
 Length electrical supply cord: 230 cm
 Door hinge: Right reversible
 Storage Period in Event of Power Failure (h): 10 h
 Defrost process: manual
 Warning signal / malfunction: visual and audible
 Lockable door: No
 Number of drawers/baskets (Stck): 3
 Number of freezing flaps (Stck): 0
 EAN code: 4242003844939
 Brand: Siemens
 Product name / Commercial code: GU15DAFF0G
 Product category: Upright freezer



**iQ500, built-under freezer, 82 x 59.8
cm
GU15DAFF0G**

Features

Included accessories

- KF10ZAX0, KU20ZSX0

Key features - Freezer section

- Temperature indicator on inside of door
- Dial temperature control
- superFreeze function with automatic deactivation
- Freezer malfunction warning signal: optical, acoustical
- Ventilation through plinth
- Variable plinth adaption
- Height adjustable feet in the front
- 3 freezer drawers

Key features - Fridge section

- Right hinged door, reversible door
- Dimensions: 82 cm H x 59.8 cm W x 54.8 cm D
- Connection value 90 W
- 220 - 240 V
- GU15DAFF0G

Dimension and installation

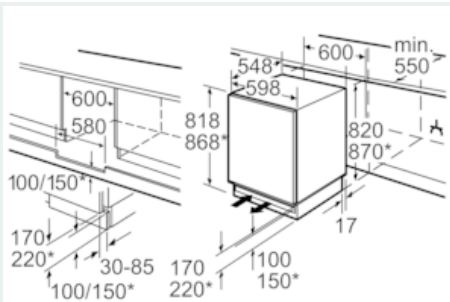
- Convenience and Safety

Performance and Consumption

- EU19_EEK_D: F
- Total Volume : 106 l
- Net Fridge Volume : 0 l
- Net Freezer Volume : 106 l
- Freezing capacity 24h : 7.4 kg
- Annual Energy Consumption: 224 kWh/a
- Climate Class: SN-T
- EU19_Fast freezer facility_D: yes
- Noise Level : 38 dB
- Temperature rise time : EU19_Temperature rise time_D: 10 H

iQ500, built-under freezer, 82 x 59.8 cm
GU15DAFF0G

Dimensioned drawings



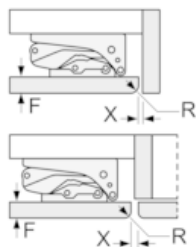
* variable base/substructure height

Space for electrical connection next to the appliance on the left or right-hand side.
 Ventilation space in the base.

measurements in mm

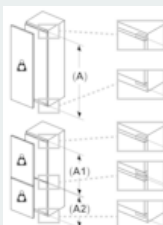
measurements in mm

Recommended gap dimensions for flat hinges



	F	R	X
16-19	0-3	2.5	
	20	0-1	3
21	2-3	2.5	
	21	0-1	3
22	2-3	2.5	
	22	0	4
	22	1	3.5
	2-3	3	

The gap dimensions recommended in the table must be adhered to in order to ensure that appliance doors do not collide with anything when they are opened, and to avoid causing damage to kitchen units.



Maximal permissible weight of the unit fronts
 Fitted unit fronts that exceed the permissible weight may cause damage and result in functional impairment of the hinges.

Δ Weight
 A: Appliance door height including hinges in mm
 B: Undamped hinge, unit front in kg
 C: Damped hinge, unit front in kg

	A	B	C
1500-1750	22	22	
720-1400	19	19	
A1	15	19	
A2	15	19	