

**iQ500, built-under freezer, 82 x 59.8
cm
GU15DA50GB**



undercounter freezer with 3 handy transparent freezer drawers and superFreezing for freezing foods faster.

- ✓ The superFreezing button reduces the temperature for a set time, to quickly freeze newly added food items.
- ✓ The multiAlarm system notifies you visually and acoustically if the temperature goes up.
- ✓ The superFreezing button reduces the temperature for a set time, to quickly freeze newly added food items.

Features

Technical Data

Thermometer freeze section : Analog
 Light : No
 Product category : Upright freezer
 Built-in / Free-standing : Built-in
 Door panel options : Possible but accessory
 Frost free system : No
 Height without worktop / build under (mm) : 820
 Width of the appliance : 598
 Depth (mm) : 548
 Dimensions of the packed product (HxWxD) (mm) : 890 x 620 x 670
 Net weight (kg) : 36.235
 Gross weight (kg) : 38.4
 Connection Rating (W) : 90
 Current (A) : 13
 Frequency (Hz) : 50
 Approval certificates : CE, G-Mark, VDE
 Length electrical supply cord (cm) : 230
 Door hinge : Right reversible
 Storage Period in Event of Power Failure (h) : 23
 Defrost process : manual
 Warning signal / malfunction : visual and audible
 Lockable door : No
 Number of drawers/baskets (Stck) : 3
 Number of freezing flaps (Stck) : 0
 EAN code : 4242003556238
 Brand : Siemens
 Product name / Commercial code : GU15DA50GB
 Product category : Upright freezer
 Energy efficiency rating : A+
 Energy consumption annual (kWh/annum) - NEW (2010/30/EC) : 184.00
 Freezer Net capacity (l) - NEW (2010/30/EC) : 98
 Freezing capacity (kg/24h) - NEW (2010/30/EC) : 12
 Climate class : SN-ST
 Noise level (dB(A) re 1 pW) : 38
 Installation typology : Built-under



**iQ500, built-under freezer, 82 x 59.8
cm
GU15DA50GB**

Features

Performance and Consumption

- Energy Efficiency Class: A+
- Energy Efficiency Class: A+ kWh/yr: 184
- Total net capacity: 98 litres
- Noise level dB(A) re 1 pW: 38

Design features

- Right hinged door, reversible door
- Dial temperature control

Food freshness system

- 1 compressor/1 cooling circuit

Key features - Freezer section

- 3 freezer drawers
- superFreeze function with automatic deactivation
- Freezing capacity in 24 hours: 12 kg
- Maximum freezer storage time in power failure: 23 hours

Functions

- Freezer door open alarm
- Freezer malfunction warning signal: optical, acoustical

Included accessories

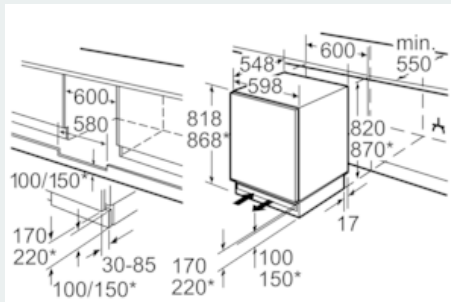
- KF10ZAX0, KU20ZSX0

Dimension and installation

- Climate class SN-ST (suitable for ambient temperatures between 10 to 38°C)
- Connection value 90 W
- Dimensions: 82 cm H x 59.8 cm W x 54.8 cm D
- Niche Dimensions: 82 cm H x 60 cm W x 55 cm D

**iQ500, built-under freezer, 82 x 59.8
cm
GU15DA50GB**

Dimensioned drawings



* variable base/substructure height

Space for electrical connection next to the
appliance on the left or right-hand side.
Ventilation space in the base.

measurements in mm