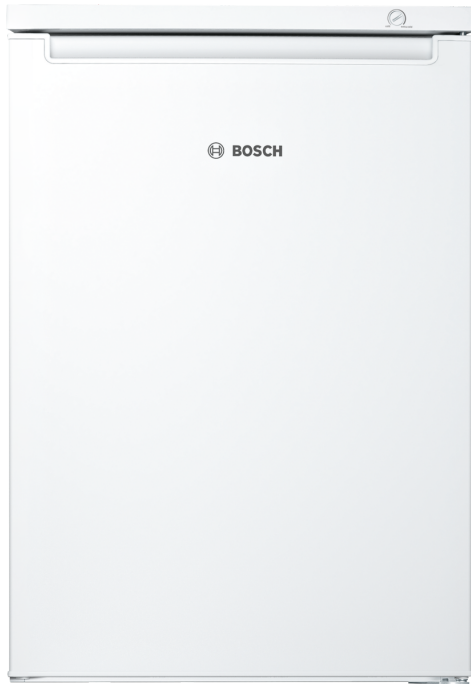


**Series 2, Under Counter Freezer, 85  
x 56 cm, White  
GTV15NWEAG**



**Technical Data**

Energy Efficiency Class: .....	E
Average annual energy consumption in kilowatt hour per year (kWh/a): .....	164 kWh/annum
Sum of volume of frozen compartments: .....	83 l
Airborne acoustical noise emissions : .....	39 dB(A) re 1 pW
Airborne acoustical noise emission class: .....	C
Thermometer freeze section: .....	None
Light: .....	No
Product category: .....	Upright freezer
Built-in / Free-standing: .....	Free-standing
Frost free system: .....	No
Height of the appliance: .....	850 mm
Width of the appliance: .....	560 mm
Depth: .....	580 mm
Dimensions of the packed product (HxWxD): .....	900 x 580 x 590 mm
Net weight: .....	32.6 kg
Gross weight: .....	34.5 kg
Connection rating: .....	80 W
Fuse protection: .....	13 A
Frequency: .....	50 Hz
Length electrical supply cord: .....	150.0 cm
Door hinge: .....	Right reversible
Color / Material body: .....	White
Warning signal / malfunction: .....	No signal
Door lock: .....	No
Number of drawers/baskets (Stck): .....	3
Number of freezing flaps (Stck): .....	0
EAN code: .....	4242005238934
Brand: .....	Bosch
Product name / Commercial code: .....	GTV15NWEAG
Product category: .....	Upright freezer



## Series 2, Under Counter Freezer, 85 x 56 cm, White GTV15NWEAG

---

- GTV15NWEAG

### Functions

- white
- Integrated horizontal handle Integrated horizontal handle

### Design features

- Mechanical control

### Food freshness system

- 3 freezer drawers

### Dimension and installation

- Dimensions: 85 cm H x 56 cm W x 58 cm D

### Key features - Fridge section

- 220 - 240 V

### Key features - Freezer section

### Included accessories

### Country Specific Options

- Based on the results of the standard 24-hour test. Actual consumption depends on usage/position of the appliance.

### Design features

### Dimension and installation

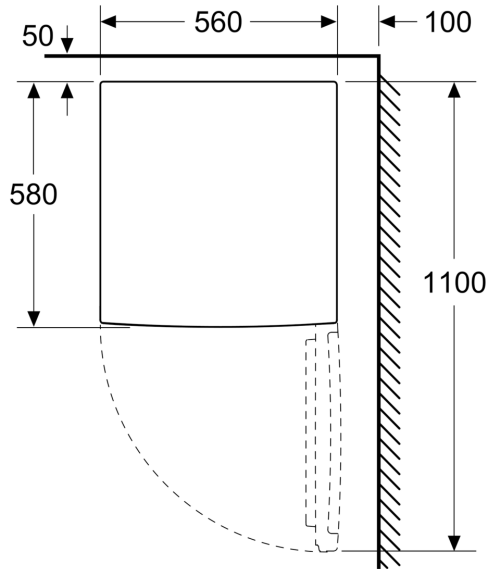
### Additional features

### Performance and Consumption

- EU19\_EEK\_D: E
- Total Volume : 83 l
- Net Fridge Volume : 0 l
- Net Freezer Volume : 83 l
- Freezing capacity 24h : 4 kg
- Annual Energy Consumption: 164 kWh/a
- Climate Class: SN-T
- EU19\_Fast freezer facility\_D: no
- Noise Level : 39 dB
- Temperature rise time : EU19\_Temperature rise time\_D: 15.5 H

**Series 2, Under Counter Freezer, 85  
x 56 cm, White  
GTV15NWEAG**

measurements in mm



measurements in mm

