

**chest freezer, 162.5 cm  
GTM38A00GB**

**A+**

**Included accessories**  
 1 x water defrost tray

**Technical Data**

Thermometer freeze section :	None
Light :	Yes
Product category :	Chest freezer
Built-in / Free-standing :	Free-standing
Door panel options :	Not possible
Frost free system :	No
Height without worktop / build under (mm) :	885
Appliance Width (mm) :	1625
Depth (mm) :	642
Dimensions of the packed product (HxWxD) (mm) :	930 x 720 x 1660
Net weight (kg) :	63.110
Gross weight (kg) :	65.0
Connection Rating (W) :	100
Current (A) :	10
Frequency (Hz) :	50
Approval certificates :	VDE
Length electrical supply cord (cm) :	245
Door hinge :	Other
Storage Period in Event of Power Failure (h) :	50
Color / Material body :	White
Defrost process :	manual
Warning signal / malfunction :	Visual
Lockable door :	Yes
Number of drawers/baskets (Stck) :	3
Number of freezing flaps (Stck) :	0
EAN code :	4242002481159
Brand :	Bosch
Product name / Commercial code :	GTM38A00GB
Product category :	Chest freezer
Energy efficiency class (2010/30/EC) :	A+
Energy consumption annual (kWh/annum) - NEW (2010/30/EC) :	318.00
Freezer Net capacity (l) - NEW (2010/30/EC) :	365
Frost free system :	No
Temperature rise time (h) :	50
Freezing capacity (kg/24h) - NEW (2010/30/EC) :	23
Climate class :	SN-T
Noise level (dB(A) re 1 pW) :	43
Installation typology :	N/A



4 242002 481159

## chest freezer, 162.5 cm GTM38A00GB

---

### Performance and Consumption

- Energy efficiency class: A+ (318 kWh per year). Actual energy consumption will depend on how the appliance is used and where it is located.
- Total net capacity: 365 litres
- Noise level dB(A) re 1 pW: 43

### Convenience and Safety

- White door and white side panels
- horizontal bar handle
- Mechanical control
- Economy setting
- Appliance lockable
- Counterbalanced lid
- Height adjustable front feet
- Malfunction warning signal: optical

### Key Features - Freezer Section

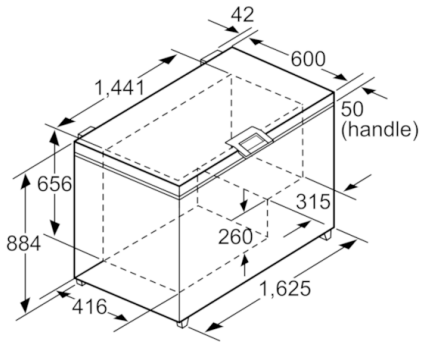
- Net freezer capacity: 365 litres
- Manual defrost freezer
- 4 star freezer rating
- Maximum freezer storage time in power failure: 50 hours
- 3 baskets factory supplied
- Interior freezer light (1x 15W)
- Super Freezing
- Defrost water outlet - for easy and convenient defrosting
- Removable divider wall, which can be used for collecting thawing water

### Technical Information

- Dimensions: 88.5 cm H x 162.5 cm W x 64.2 cm D
- Climate class SN-T (suitable for ambient temperatures between 10 and 43°C)

**chest freezer, 162.5 cm  
GTM38A00GB**

---



Measurements in mm