

Series 4, free-standing freezer, 186 x 60 cm, Stainless steel look GSN36VLFP



Included accessories

2 x cold accumulator, 1 x ice cube tray

Optional accessories

KSZ39AL00 Connection set inox

This energy efficient freezer with 4 transparent freezer drawers: provides ample room and a good overview

- **VarioZone:** more flexibility due to variable-use glass shelves and drawers in the freezer compartment.
- **NoFrost:** never defrost again, thanks to perfect protection from ice formation - that saves time and effort.
- **Big Box drawer:** for stacking storage containers or for large frozen food items.
- **Intelligent Inverter Technology:** ensuring stable temperature control and efficient performance.

Technical Data

Energy Efficiency Class:	F
Average annual energy consumption in kilowatt hour per year (kWh/a):	294 kWh/annum
Sum of volume of frozen compartments:	242 l
Airborne acoustical noise emissions :	39 dB(A) re 1 pW
Airborne acoustical noise emission class:	C
Thermometer freeze section:	Digital
Light:	No
Product category:	Upright freezer
Built-in / Free-standing:	Free-standing
Door panel options:	Not possible
Frost free system:	Fridge and freezer
Height of the appliance:	1860 mm
Width of the appliance:	600 mm
Depth:	650 mm
Dimensions of the packed product (HxWxD): ...	1925 x 660 x 765 mm
Net weight:	68.7 kg
Gross weight:	74.4 kg
Fuse protection:	10 A
Frequency:	50 Hz
Length electrical supply cord:	230.0 cm
Door hinge:	Right reversible
Defrost process:	Automatic
Warning signal / malfunction:	Both visual and audible
Door lock:	No
Number of drawers/baskets (Stck):	4
Number of freezing flaps (Stck):	0
EAN code:	4242005194025
Brand:	Bosch
Product name / Commercial code:	GSN36VLFP
Product category:	Upright freezer
Included accessories:	2 x cold accumulator, 1 x ice cube tray



Series 4, free-standing freezer, 186 x 60 cm, Stainless steel look GSN36VLFP

This energy efficient freezer with 4 transparent freezer drawers: provides ample room and a good overview

- Net Fridge Volume : 0 l
- Net Freezer Volume : 242 l
- Freezing capacity 24h : 19 kg
- Annual Energy Consumption: 294 kWh/a
- Climate Class: SN-T
- EU19_Fast freezer facility_D: yes
- Noise Level : 39 dB
- Temperature rise time : EU19_Temperature rise time_D: 9 H

Functions

- Stainless steel look doors and Pearl grey (VZF 07127) side panels
- aluminium vertical door handle

Design features

- Full frost free, never have to defrost ever again
- LED electronic control
- Freezer malfunction warning signal: optical and acoustical warning system
- Freshsense - Constant temperature control by intelligent sensor technology
- SuperFreeze functions with automatic deactivation

Food freshness system

- Easy Access open shelving zone - store and access food easily with our conveniently open freezer shelves
- MultiAirflow system - improves circulation of air around the fridge
- Ice cube tray
- Vario Zone - removable safety glass shelves for extra space!
- 4 transparent freezer drawers, 2 BigBox

Dimension and installation

- Dimensions: 186 cm H x 60 cm W x 65 cm D

Key features - Fridge section

- Right hinged door, reversible door
- Height adjustable front feet
- Door opening: No side clearance needed at all. Full access to all drawers, door opening angle 90°.
- Transportation handles
- 220 - 240 V

Key features - Freezer section

- cold accumulator, ice cube tray

Country Specific Options

- Based on the results of the standard 24-hour test. Actual consumption depends on usage/position of the appliance.
- To achieve the declared energy consumption, the attached distanceholders have to be used. As a result, the appliance depth increases by about 3.5 cm. The appliance used without the distance holder is fully functional, but has a slightly higher energy consumption.

Included accessories

Design features

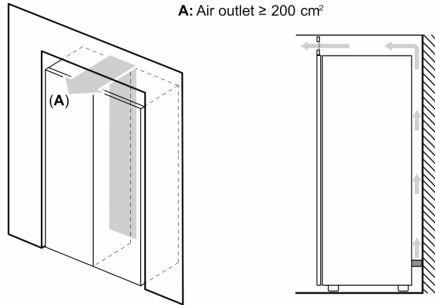
Dimension and installation

Additional features

Performance and Consumption

- EU19_EEK_D: F
- Total Volume : 242 l

Series 4, free-standing freezer, 186 x 60 cm, Stainless steel look GSN36VLFP



	a	b	c	d	e	f
KSW36, GSD36	187					
KSV36, KSF36, GSN36, GSV36	186					
KSV33, GSN33, GSV33	176	60	65	58	60	119.5
KSV29, GSN29, GSV29	161					
GSV24	146					
GSN51	161					
GSN54	176	70	78	70	70	142
GSN58	191					

a Height
b Width
c Depth with closed door w/o handle and w/o distance part
d Depth of cabinet w/o distance part
e Width with open door w/o handle
f Depth with open door w/o handle w/o distance part

measurements in cm

