

**Series 4, free-standing freezer, 186 x 60 cm, Stainless steel look
GSN36VL3PG**



This energy efficient freezer with 4 transparent freezer drawers: provides ample room and a good overview

- **VarioZone:** more flexibility due to variable-use glass shelves and drawers in the freezer compartment.
- **NoFrost:** never defrost again, thanks to perfect protection from ice formation - that saves time and effort.
- **Big Box drawer:** for stacking storage containers or for large frozen food items.

Technical Data

Energy Efficiency Class:	F
Average annual energy consumption in kilowatt hour per year (kWh/a):	294 kWh/annum
Sum of volume of frozen compartments:	242 l
Airborne acoustical noise emissions :	39 dB(A) re 1 pW
Airborne acoustical noise emission class:	C
Thermometer freeze section:	Digital
Light:	No
Product category:	Upright freezer
Built-in / Free-standing:	Free-standing
Door panel options:	Not possible
Frost free system:	Fridge and freezer
Height of the appliance:	1860 mm
Width of the appliance:	600 mm
Depth:	650 mm
Dimensions of the packed product (HxWxD): ...	1925 x 660 x 765 mm
Net weight:	68.6 kg
Gross weight:	74.3 kg
Fuse protection:	10 A
Frequency:	50 Hz
Length electrical supply cord:	230.0 cm
Door hinge:	Right reversible
Warning signal / malfunction:	Both visual and audible
Door lock:	No
Number of drawers/baskets (Stck):	4
Number of freezing flaps (Stck):	0
EAN code:	4242005055227
Brand:	Bosch
Product name / Commercial code:	GSN36VL3PG
Product category:	Upright freezer
Included accessories:	2 x cold accumulator, 1 x ice cube tray

Included accessories

2 x cold accumulator, 1 x ice cube tray

Optional accessories

- KSZ36AL00 Connection set inox
- KSZ39AL00 Connection set inox



Series 4, free-standing freezer, 186 x 60 cm, Stainless steel look GSN36VL3PG

This energy efficient freezer with 4 transparent freezer drawers: provides ample room and a good overview

Performance and Consumption

Functions

- High-door design, Cambered Door
- aluminium vertical door handle
- Right hinged door, reversible door
- LED electronic control

Food freshness system

- SuperFreeze functions with automatic deactivation
- MultiAirflow system - improves circulation of air around the fridge

Key features - Freezer section

- Full frost free, never have to defrost ever again
- 4 transparent freezer drawers, 2 BigBox
- Easy Access open shelving zone - store and access food easily with our conveniently open freezer shelves
- Ice cube tray
- Vario Zone - removable safety glass shelves for extra space!
- 4 star freezer rating
- Freezer malfunction warning signal: optical and acoustical warning system

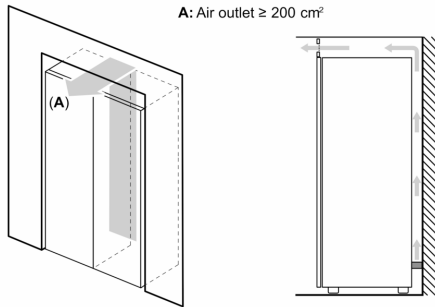
Included accessories

- cold accumulator, ice cube tray

Dimension and installation

- Height adjustable front feet
- Dimensions: 186 cm H x 60 cm W x 65 cm D
- Based on the results of the standard 24-hour test. Actual consumption depends on usage/position of the appliance.

**Series 4, free-standing freezer, 186 x 60 cm, Stainless steel look
GSN36VL3PG**



	a	b	c	d	e	f
KSW36, GSD36	187					
KSV36, KSF36, GSN36, GSV36	186					
KSV33, GSN33, GSV33	176	60	65	58	60	119.5
KSV29, GSN29, GSV29	161					
GSV24	146					
GSN51	161					
GSN54	176	70	78	70	70	142
GSN58	191					

- a Height
- b Width
- c Depth with closed door w/o handle and w/o distance part
- d Depth of cabinet w/o distance part
- e Width with open door w/o handle
- f Depth with open door w/o handle w/o distance part

measurements in cm

