

Series 6, built-in freezer, 87.4 x 55.8 cm, flat hinge GIV21AFE0



Included accessories

1 x ice cube tray

Optional accessories

KFZ20AX0 Door panel with decor frame
 KFZ20SX0 Stainless steel door panel

The freezer with 3 transparent freezer drawers and SuperFreezing: freezes new items placed inside even faster.

- **Big Box drawer:** for stacking storage containers or for large frozen food items.
- **Low Frost:** defrost less often thanks to reduced frost – saving time, effort and energy.

Technical Data

Energy Efficiency Class: E
 Average annual energy consumption in kilowatt hour per year (kWh/a): 176 kWh/annum
 Sum of volume of frozen compartments: 96 l
 Airborne acoustical noise emissions :36 dB(A) re 1 pW
 Airborne acoustical noise emission class:C
 Thermometer freeze section: None
 Light: No
 Product category: Upright freezer
 Built-in / Free-standing: Built-in
 Door panel options: Not possible
 Frost free system:No
 Height of the appliance: 874 mm
 Width of the appliance: 558 mm
 Depth: 545 mm
 Dimensions of the packed product (HxWxD): 950 x 620 x 640 mm
 Net weight: 39.8 kg
 Gross weight: 42.6 kg
 Connection rating: 90 W
 Fuse protection:10 A
 Frequency: 50 Hz
 Length electrical supply cord: 230.0 cm
 Door hinge: Right reversible
 Defrost process: manual
 Warning signal / malfunction: Both visual and audible
 Door lock:No
 Number of drawers/baskets (Stck): 3
 Number of freezing flaps (Stck):0
 EAN code:4242005126996
 Brand: Bosch
 Product name / Commercial code: GIV21AFE0
 Product category: Upright freezer
 Included accessories: 1 x ice cube tray



Series 6, built-in freezer, 87.4 x 55.8 cm, flat hinge GIV21AFE0

The freezer with 3 transparent freezer drawers and SuperFreezing: freezes new items placed inside even faster.

Design features

- LowFrost - less ice creation and therefore quicker defrosting - less ice build up, faster defrosting
- Fixed hinge
- LED electronic control
- SuperFreeze functions with automatic deactivation
- Freezer malfunction warning signal: optical, acoustical

Freezer Section

- 3 transparent freezer drawers, including 1 BigBox

Technical Information

- Right hinged door, reversible door
- Connection value 90 W
- 220 - 240 V

Dimension and installation

- Niche Dimensions: 88 cm H x 56 cm W x 55 cm D
- Dimensions: 87.4 cm H x 55.8 cm W x 54.5 cm D

Accessories

- ice cube tray

Included accessories

- KFZ20AX0, KFZ20SX0

Country Specific Options

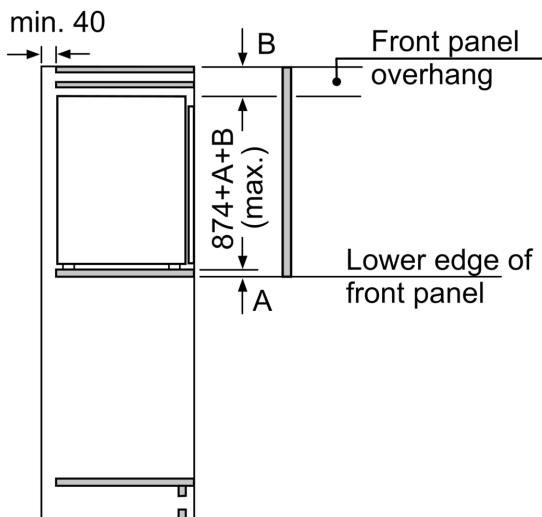
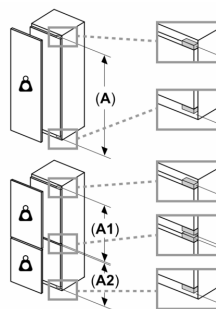
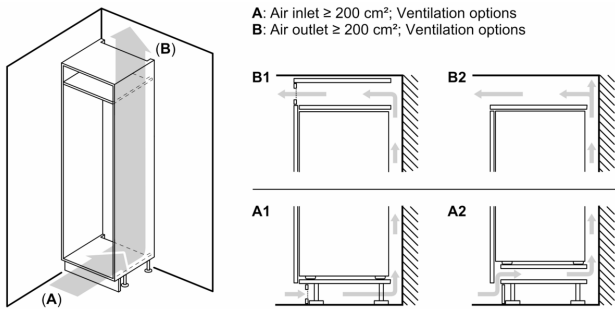
- Based on the results of the standard 24-hour test. Actual consumption depends on usage/position of the appliance.

Additional features

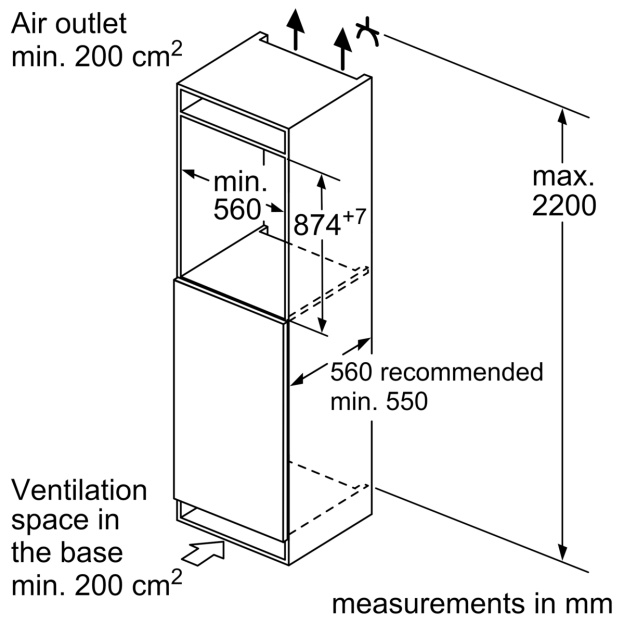
Performance and Consumption

- EU19_EEK_D: E
- Total Volume : 96 l
- Freezing capacity 24h : 5 kg
- Annual Energy Consumption: 176 kWh/a
- Climate Class: SN-T
- Noise Level : 36 dB
- Temperature rise time : EU19_Temperature rise time_D: 13 H

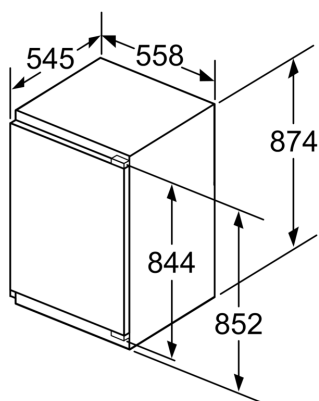
**Series 6, built-in freezer, 87.4 x 55.8 cm, flat hinge
GIV21AFE0**



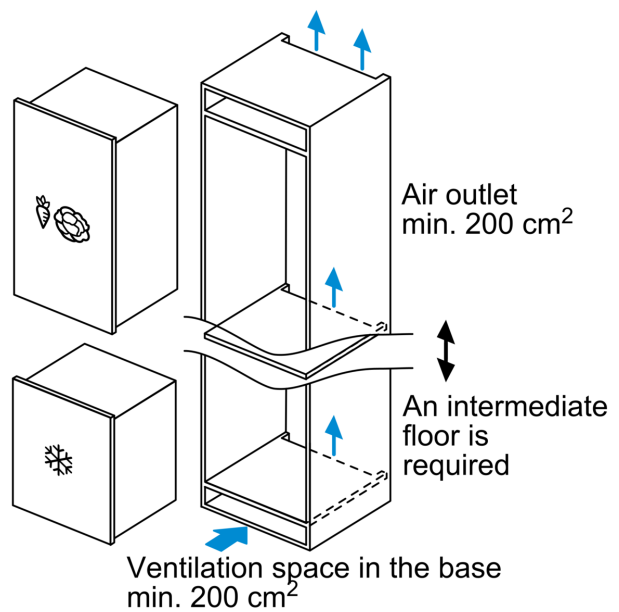
measurements in mm



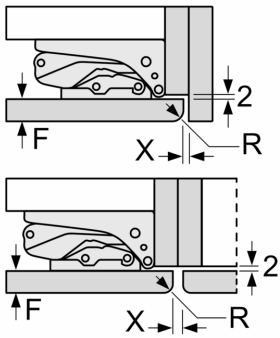
measurements in mm



measurements in mm



measurements in mm
 Recommended gap dimensions for flat hinges



F	R	X
16-19	0-3	2.5
20	0-1	3
	2-3	2.5
21	0-1	3
	2-3	2.5
22	0	4
	1	3.5
	2-3	3

The gap dimensions recommended in the table must be adhered to in order to ensure that appliance doors do not collide with anything when they are opened, and to avoid causing damage to kitchen units.