

**Series 8, built-in freezer, 177.2 x 55.8 cm, soft close flat hinge
GIN81HCE0G**



Included accessories

1 x ice cube tray

Optional accessories

KSZB0S00 Heavy-duty hinge support

The NoFrost freezer with electronic temperature control: set the target temperature precisely and easily.

- **VarioZone:** more flexibility due to variable-use glass shelves and drawers in the freezer compartment.
- **NoFrost:** never defrost again, thanks to perfect protection from ice formation - that saves time and effort.
- **Big Box drawer:** for stacking storage containers or for large frozen food items.
- **Intelligent Inverter Technology:** ensuring stable temperature control and efficient performance.

Technical Data

Energy Efficiency Class:	E
Average annual energy consumption in kilowatt hour per year (kWh/a):	235 kWh/annum
Sum of volume of frozen compartments:	212 l
Airborne acoustical noise emissions :	35 dB(A) re 1 pW
Airborne acoustical noise emission class:	B
Thermometer freeze section:	Digital
Light:	No
Product category:	Upright freezer
Built-in / Free-standing:	Built-in
Door panel options:	Not possible
Frost free system:	Fridge and freezer
Height of the appliance:	1772 mm
Width of the appliance:	558 mm
Depth:	545 mm
Dimensions of the packed product (HxWxD): ...	1840 x 610 x 640 mm
Net weight:	66.1 kg
Gross weight:	70.8 kg
Connection rating:	120 W
Fuse protection:	13 A
Frequency:	50 Hz
Length electrical supply cord:	230.0 cm
Door hinge:	Left reversible
Warning signal / malfunction:	Both visual and audible
Door lock:	No
Number of drawers/baskets (Stck):	5
Number of freezing flaps (Stck):	2
EAN code:	4242005225699
Brand:	Bosch
Product name / Commercial code:	GIN81HCE0G
Product category:	Upright freezer
Included accessories:	1 x ice cube tray



Series 8, built-in freezer, 177.2 x 55.8 cm, soft close flat hinge GIN81HCE0G

The NoFrost freezer with electronic temperature control: set the target temperature precisely and easily.

- GIN81HCE0G
- Full frost free, Built-in upright-freezer (> 90 cm height)
- Fixed hinge

Design features

- Full frost free, never have to defrost ever again
- Home Connect: Remote Monitoring and Control
- Fixed hinge
- LED Electronic control
- 1 compressor/1 cooling circuit
- SuperFreeze functions with automatic deactivation
- FreshSense - Constant temperature control by intelligent sensor technology
- Freezer malfunction warning signal: optical, acoustical

Freezer Section

- 2 freezer flaps with glass shelves
- 5 transparent freezer drawers, 2 BigBox

Technical Information

- Door left hinged, reversible door
- Connection value 120 W
- 220 - 240 V

Dimension and installation

- Niche Dimensions: 177.5 cm H x 56 cm W x 55 cm D
- Dimensions: 177.2 cm H x 55.8 cm W x 54.5 cm D

Accessories

- ice cube tray

Country Specific Options

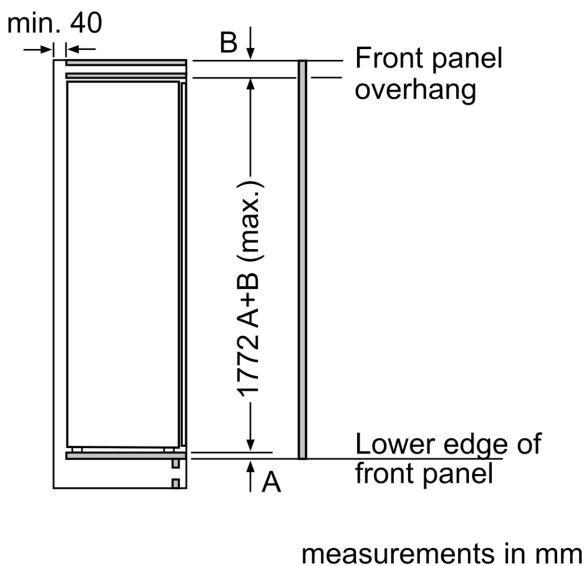
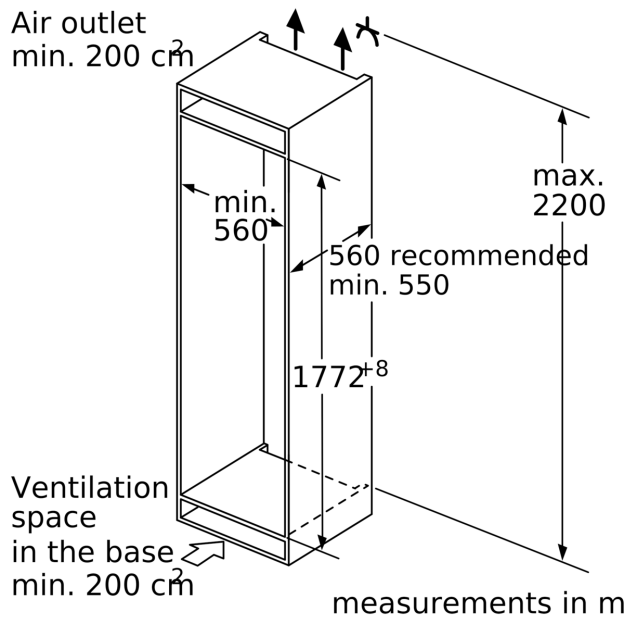
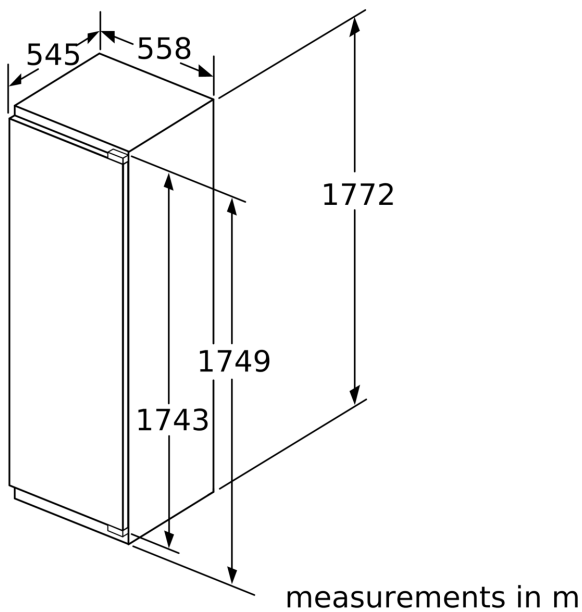
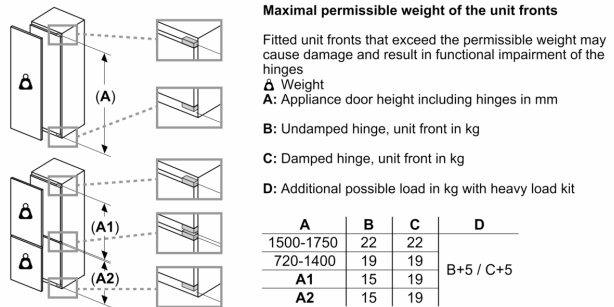
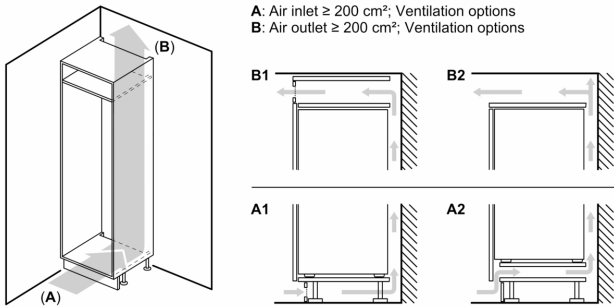
- Based on the results of the standard 24-hour test. Actual consumption depends on usage/position of the appliance.

Additional features

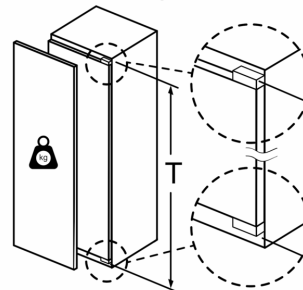
Performance and Consumption

- EU19_EEK_D: E
- Total Volume : 212 l
- Freezing capacity 24h : 14 kg
- Annual Energy Consumption: 235 kWh/a
- Climate Class: SN-T
- Noise Level : 35 dB
- Temperature rise time : EU19_Temperature rise time_D: 9 H

**Series 8, built-in freezer, 177.2 x 55.8 cm, soft close flat hinge
GIN81HCE0G**



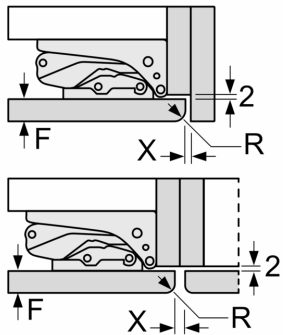
Maximal permissible weight of the unit fronts



Fitted kitchen unit doors that exceed the permissible weight may cause damage and result in functional impairment of the hinges.

T: Includes height of appliance door Hinges in mm:	undamped hinge, Door in kg:	damped hinge, Door in kg:
1500-1750	22	22

measurements in mm
 Recommended gap dimensions for flat hinges



F	R	X
16-19	0-3	2.5
20	0-1	3
	2-3	2.5
21	0-1	3
	2-3	2.5
22	0	4
	1	3.5
	2-3	3

The gap dimensions recommended in the table must be adhered to in order to ensure that appliance doors do not collide with anything when they are opened, and to avoid causing damage to kitchen units.