

**Series 6, built-in freezer, 177.2 x 55.8 cm, flat hinge  
GIN81AEF0G**



**Included accessories**

1 x ice cube tray

**Optional accessories**

KSZB0S00 Heavy-duty hinge support

**The NoFrost freezer with electronic temperature control: set the target temperature precisely and easily.**

- **VarioZone:** more flexibility due to variable-use glass shelves and drawers in the freezer compartment.
- **NoFrost:** never defrost again, thanks to perfect protection from ice formation - that saves time and effort.
- **Big Box drawer:** for stacking storage containers or for large frozen food items.
- **Intelligent Inverter Technology:** ensuring stable temperature control and efficient performance.

**Technical Data**

Energy Efficiency Class: .....	F
Average annual energy consumption in kilowatt hour per year (kWh/a): .....	294 kWh/annum
Sum of volume of frozen compartments: .....	212 l
Airborne acoustical noise emissions : .....	36 dB(A) re 1 pW
Airborne acoustical noise emission class: .....	C
Thermometer freeze section: .....	Digital
Light: .....	No
Product category: .....	Upright freezer
Built-in / Free-standing: .....	Built-in
Door panel options: .....	Not possible
Frost free system: .....	Fridge and freezer
Height of the appliance: .....	1772 mm
Width of the appliance: .....	558 mm
Depth: .....	545 mm
Dimensions of the packed product (HxWxD): ...	1840 x 610 x 640 mm
Net weight: .....	64.8 kg
Gross weight: .....	69.5 kg
Connection rating: .....	120 W
Fuse protection: .....	13 A
Frequency: .....	50 Hz
Length electrical supply cord: .....	230.0 cm
Door hinge: .....	Left reversible
Defrost process: .....	Automatic
Warning signal / malfunction: .....	Both visual and audible
Door lock: .....	No
Number of drawers/baskets (Stck): .....	5
Number of freezing flaps (Stck): .....	2
EAN code: .....	4242005183494
Brand: .....	Bosch
Product name / Commercial code: .....	GIN81AEF0G
Product category: .....	Upright freezer
Included accessories: .....	1 x ice cube tray



## **Series 6, built-in freezer, 177.2 x 55.8 cm, flat hinge GIN81AEFOG**

### **The NoFrost freezer with electronic temperature control: set the target temperature precisely and easily.**

- Full frost free, Built-in upright-freezer (> 90 cm height)
- Fixed hinge
- GIN81AEFOG

#### **Design features**

- Door left hinged, reversible door
- LED Electronic control
- 1 compressor/1 cooling circuit
- FreshSense - Constant temperature control by intelligent sensor technology

#### **Freezer Section**

- Full frost free, never have to defrost ever again
- 5 transparent freezer drawers, 2 BigBox
- SuperFreeze functions with automatic deactivation
- Freezer malfunction warning signal: optical, acoustical

#### **Accessories**

- ice cube tray

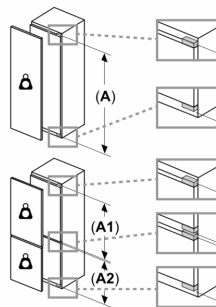
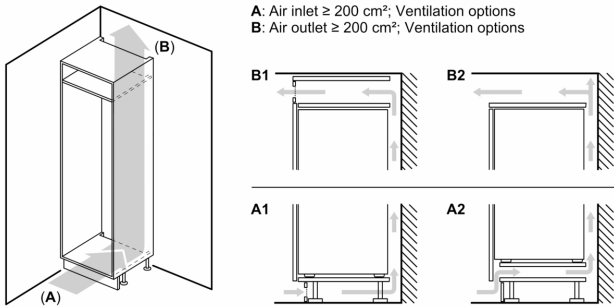
#### **Dimension and installation**

- Connection value 120 W
- Dimensions: 177.2 cm H x 55.8 cm W x 54.5 cm D
- Niche Dimensions: 177.5 cm H x 56 cm W x 55 cm D
- Based on the results of the standard 24-hour test. Actual consumption depends on usage/position of the appliance.

#### **Performance and Consumption**

- 220 - 240 V
- EU19\_EEK\_D: F
- Total Volume : 212 l
- Net Fridge Volume : 0 l
- Net Freezer Volume : 212 l
- Freezing capacity 24h : 13.8 kg
- Annual Energy Consumption: 294 kWh/a
- Climate Class: SN-T
- Noise Level : 36 dB
- Temperature rise time : EU19\_Temperature rise time\_D: 8 H

**Series 6, built-in freezer, 177.2 x 55.8 cm, flat hinge**  
**GIN81AEF0G**



**Maximal permissible weight of the unit fronts**

Fitted unit fronts that exceed the permissible weight may cause damage and result in functional impairment of the hinges

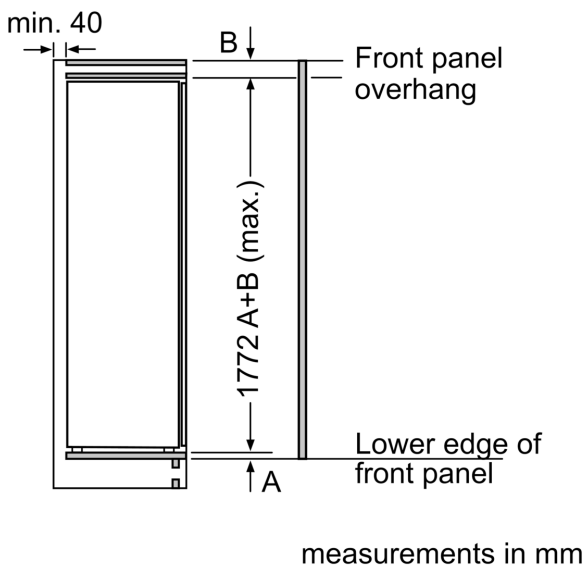
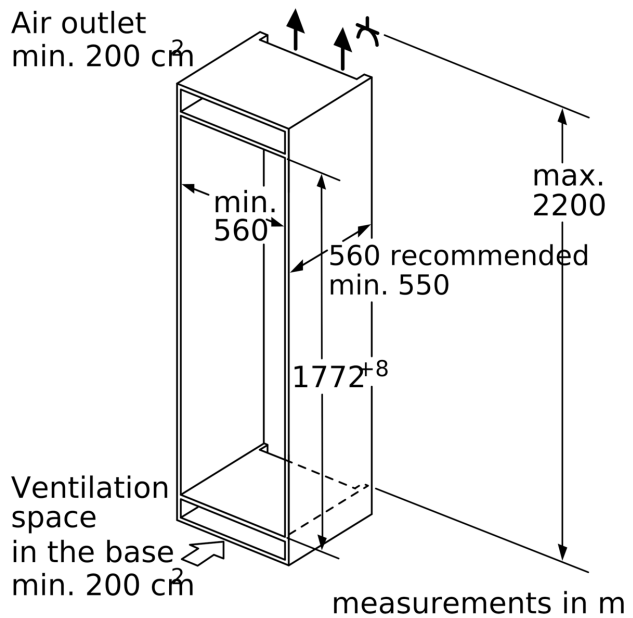
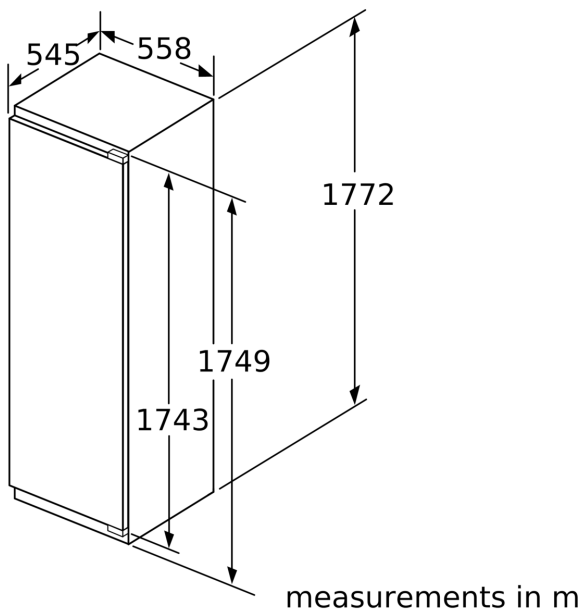
$\Delta$ : Weight  
 A: Appliance door height including hinges in mm

B: Undamped hinge, unit front in kg

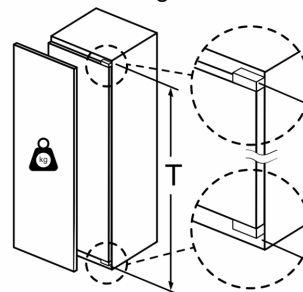
C: Damped hinge, unit front in kg

D: Additional possible load in kg with heavy load kit

A	B	C	D
1500-1750	22	22	B+5 / C+5
720-1400	19	19	
A1	15	19	
A2	15	19	



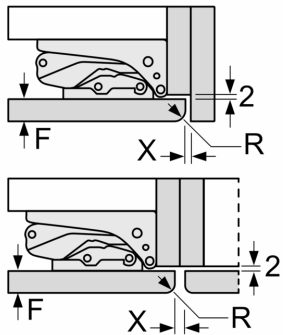
**Maximal permissible weight of the unit fronts**



Fitted kitchen unit doors that exceed the permissible weight may cause damage and result in functional impairment of the hinges.

T: Includes height of appliance door Hinges in mm:	undamped hinge, Door in kg:	damped hinge, Door in kg:
1500-1750	22	22

measurements in mm  
 Recommended gap dimensions for flat hinges



	<b>F</b>	<b>R</b>	<b>X</b>
16-19	0-3	2.5	
	20	0-1	3
21	2-3	2.5	
	0-1	3	
22	2-3	2.5	
	0	4	
	1	3.5	
	2-3	3	

The gap dimensions recommended in the table must be adhered to in order to ensure that appliance doors do not collide with anything when they are opened, and to avoid causing damage to kitchen units.