

IQ700, built-in freezer, 177.2 x 55.8 cm, soft close flat hinge GI81NHNEO



Premium freezer with noFrost system keeps your food in best conditions and thanks Door openAssist with voice control can be integrated into your modern handle-free kitchen.

- ✓ noFrost – Never defrost your freezer again.
- ✓ SoftClosing Door: door closes automatically and softly when it is open at a 20° angle or less.
- ✓ SoftClosing Door: door closes automatically and softly when it is open at a 20° angle or less.
- ✓ varioZone – easily arrange drawers and glass shelves to bring flexibility to your freezer space.
- ✓ Electronic temperature control: set the target temperature clearly and easily.

Features

Technical Data

Energy Efficiency Class: E
 Average annual energy consumption in kilowatt hour per year (kWh/a): 235 kWh/annum
 Sum of volume of frozen compartments: 212 l
 Airborne acoustical noise emissions : 35 dB(A) re 1 pW
 Airborne acoustical noise emission class: B
 Thermometer freeze section: Digital
 Light: No
 Product category: Upright freezer
 Built-in / Free-standing: Built-in
 Door panel options: Not possible
 Frost free system: Fridge and freezer
 Height of the appliance: 1772 mm
 Width of the appliance: 558 mm
 Dimensions: 545 mm
 Dimensions of the packed product (HxWxD): . 1840 x 610 x 640 mm
 Weight: 67.3 kg
 Gross weight: 72.0 kg
 Connection Rating: 120 W
 Fuse protection: 10 A
 Frequency: 50 Hz
 Length electrical supply cord: 230.0 cm
 Door hinge: Left reversible
 Defrost process: Automatic
 Warning signal / malfunction: Both visual and audible
 Door lock: No
 Number of drawers/baskets (Stck): 5
 Number of freezing flaps (Stck): 2
 EAN code: 4242003911396
 Brand: Siemens
 Product name / Commercial code: GI81NHNEO
 Product category: Upright freezer
 Included accessories: 1 x ice cube tray, 1 x Heavy-duty hinge support



Included accessories

1 x ice cube tray, 1 x Heavy-duty hinge support

Optional accessories

KS0BZS00 Heavy-duty hinge support

IQ700, built-in freezer, 177.2 x 55.8 cm, soft close flat hinge GI81NHNEO

Features

- No Frost, Built-in tall freezer
- Fixed hinge

Performance and Consumption

- EU19_EEK_D: E
- Total Volume : 212 l
- Net Fridge Volume : 0 l
- Net Freezer Volume : 212 l
- Freezing capacity 24h : 14 kg
- Annual Energy Consumption: 235 kWh/a
- Climate Class: SN-T
- EU19_Fast freezer facility_D: yes
- Noise Level : 35 dB
- Temperature rise time : EU19_Temperature rise time_D: 9 H

Functions

- Fixed hinge

Design features

- No Frost, never have to defrost ever again
- Electronic control (LED display)
- SuperFreeze functions with automatic deactivation
- freshSense - constant temperature by intelligent sensor technology - Constant temperature control by intelligent sensor technology
- Freezer malfunction warning signal: optical, acoustical

Food freshness system

- 5 transparent freezer drawers, 2 bigbox
- 2 freezer flaps with glass shelves
- Vario Zone - removable safety glass shelves for extra space!

Dimension and installation

- Dimensions: 177.2 cm H x 55.8 cm W x 54.5 cm D
- Niche Dimensions: 177.5 cm H x 56 cm W x 55 cm D

Key features - Fridge section

- Left-mounted, reversible door
- Heavy-duty hinge support, ice cube tray
- Based on the results of the standard 24-hour test. Actual consumption depends on usage/position of the appliance.

Additional features

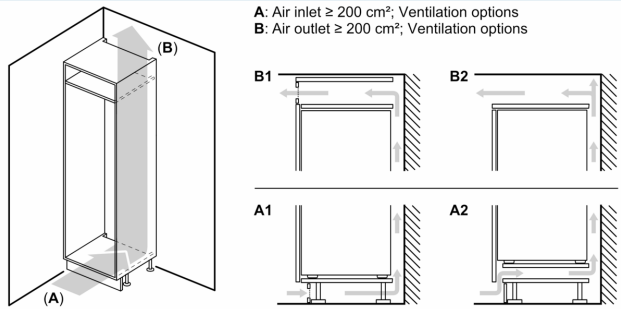
Design features

Dimension and installation

- Open Assist

**IQ700, built-in freezer, 177.2 x 55.8 cm, soft close flat hinge
GI81NHNE0**

Dimensioned drawings

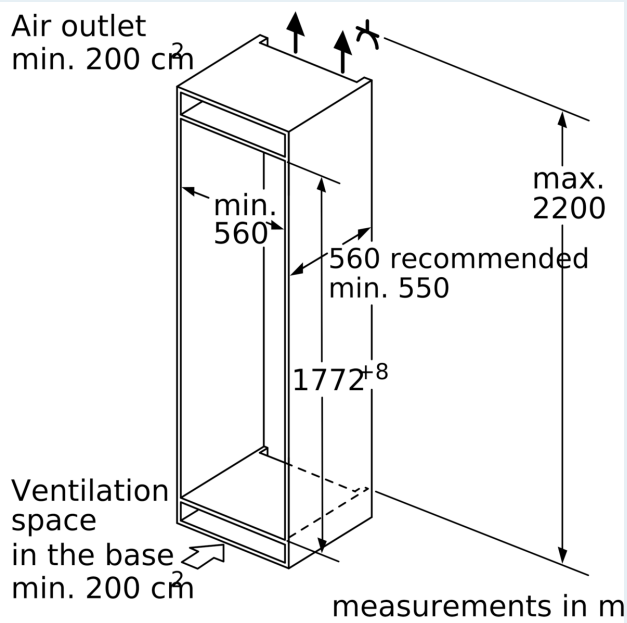
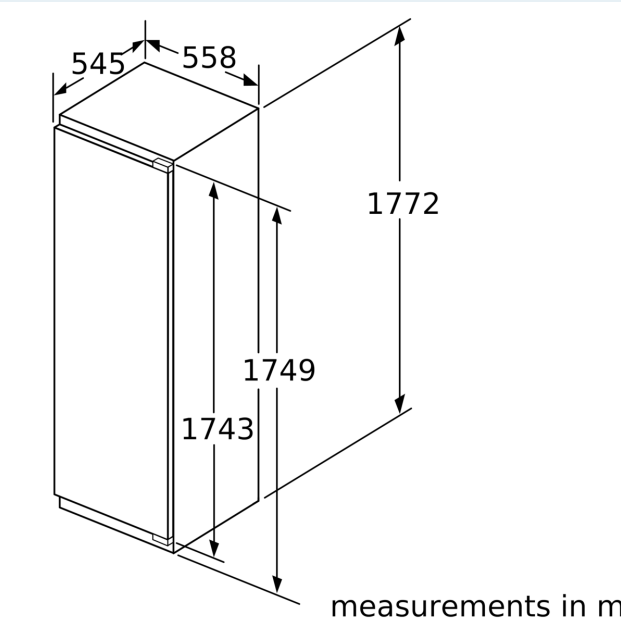


Maximal permissible weight of the unit fronts

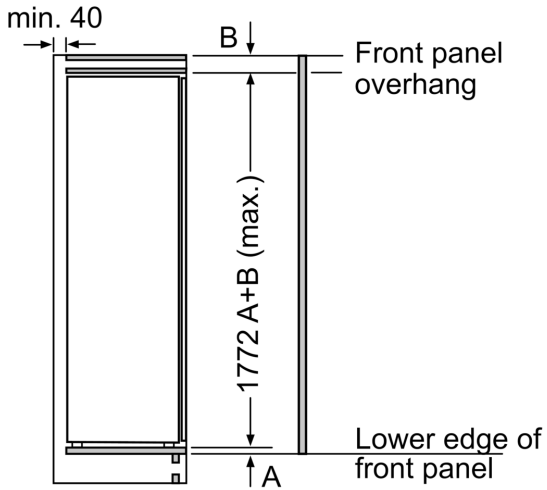
Fitted unit fronts that exceed the permissible weight may cause damage and result in functional impairment of the hinges

Δ Weight
A: Appliance door height including hinges in mm
B: Undamped hinge, unit front in kg
C: Damped hinge, unit front in kg
D: Additional possible load in kg with heavy load kit

A	B	C	D
1500-1750	22	22	B+5 / C+5
720-1400	19	19	
A1	15	19	
A2	15	19	

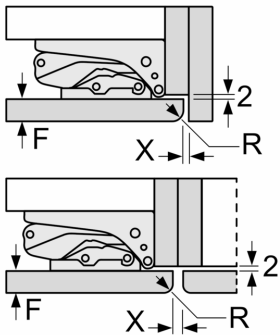


Dimensioned drawings



measurements in mm

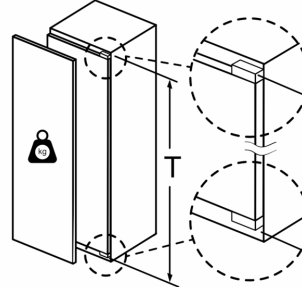
measurements in mm
Recommended gap dimensions for flat hinges



F	R	X
16-19	0-3	2.5
20	0-1	3
	2-3	2.5
21	0-1	3
	2-3	2.5
22	0	4
	1	3.5
	2-3	3

The gap dimensions recommended in the table must be adhered to in order to ensure that appliance doors do not collide with anything when they are opened, and to avoid causing damage to kitchen units.

Maximal permissible weight of the unit fronts



Fitted kitchen unit doors that exceed the permissible weight may cause damage and result in functional impairment of the hinges.

T: Includes height of appliance door Hinges in mm:	undamped hinge, Door in kg:	damped hinge, Door in kg:
1500-1750	22	22