

## iQ500, built-in freezer, 177.2 x 55.8 cm GI81NAEFOG



### very energy efficient freezer with electronic temperature control

- ✓ noFrost – Never defrost your freezer again.
- ✓ superFreezing - Sensors automatically reduce the temperature for a set period of time, to quickly freeze newly added food items.
- ✓ All freezer drawers and glass shelves can be removed easily. varioZone lets you organize the space flexibly.
- ✓ Electronic temperature control: set the target temperature clearly and easily.
- ✓ All freezer drawers and glass shelves can be removed easily. varioZone lets you organize the space flexibly.

### Features

#### Technical Data

Energy Efficiency Class: F  
 Average annual energy consumption in kilowatt hour per year (kWh/a):  
 294 kWh/annum  
 Sum of volume of frozen compartments: 212 l  
 Airborne acoustical noise emissions : 36 dB  
 Airborne acoustical noise emission class: C  
 Thermometer freeze section: Digital  
 Light: No  
 Product category: Upright freezer  
 Built-in / Free-standing: Built-in  
 Door panel options: Not possible  
 Frost free system: Fridge and freezer  
 Height without worktop / build under: 1772 mm  
 Width of the appliance: 558 mm  
 Depth: 545 mm  
 Dimensions of the packed product (HxWxD): 1840 x 640 x 620 mm  
 Net weight: 63.766 kg  
 Gross weight: 69.0 kg  
 Connection Rating: 120 W  
 Fuse protection: 13 A  
 Frequency: 50 Hz  
 Approval certificates: CE, VDE  
 Length electrical supply cord: 230 cm  
 Door hinge: Left reversible  
 Storage Period in Event of Power Failure (h): 8 h  
 Warning signal / malfunction: visual and audible  
 Lockable door: No  
 Number of drawers/baskets (Stck): 5  
 Number of freezing flaps (Stck): 2  
 EAN code: 4242003863039  
 Brand: Siemens  
 Product name / Commercial code: GI81NAEFOG  
 Product category: Upright freezer



## iQ500, built-in freezer, 177.2 x 55.8 cm GI81NAEF0G

### Features

- No Frost, Built-in tall freezer

#### Design features

- No Frost, never have to defrost ever again
- Left-mounted, reversible door
- Electronic control (LED display)

#### Key features - Freezer section

- Vario Zone - removable safety glass shelves for extra space!
- 5 freezer drawers
- SuperFreeze functions with automatic deactivation
- ice cube tray

#### Functions

- Freezer malfunction warning signal: optical, acoustical

#### Dimension and installation

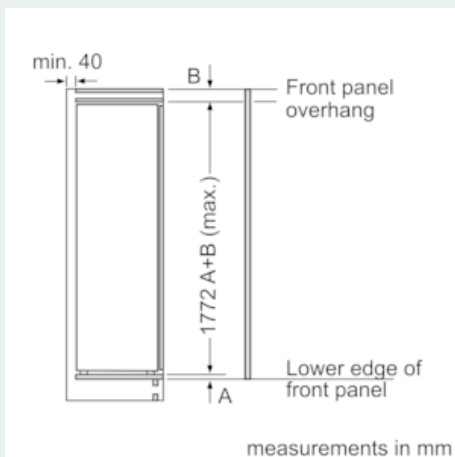
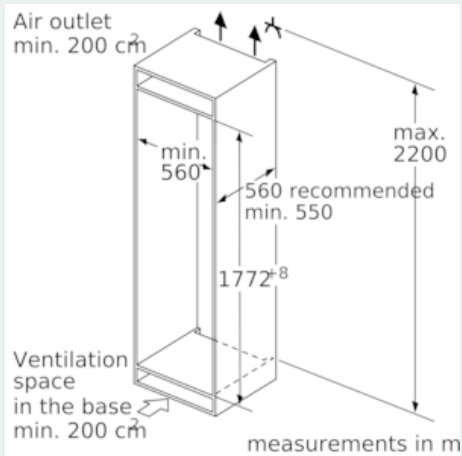
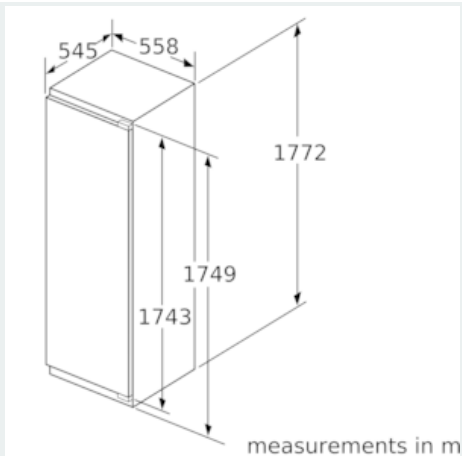
- Niche Dimensions: 177.5 cm H x 56 cm W x 55 cm D
- Dimensions: 177.2 cm H x 55.8 cm W x 54.5 cm D
- Connection value 120 W
- 220 - 240 V
- Based on the results of the standard 24-hour test. Actual consumption depends on usage/position of the appliance.

#### Performance and Consumption

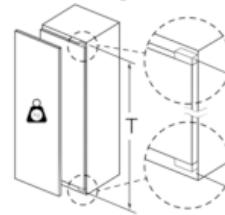
- EU19\_EEK\_D: F
- Total Volume : 212 l
- Net Fridge Volume : 0 l
- Net Freezer Volume : 212 l
- Freezing capacity 24h : 13.8 kg
- Annual Energy Consumption: 294 kWh/a
- Climate Class: SN-T
- EU19\_Fast freezer facility\_D: yes
- Noise Level : 36 dB
- Temperature rise time : EU19\_Temperature rise time\_D: 8 H

**iQ500, built-in freezer, 177.2 x 55.8 cm  
GI81NAEFOG**

Dimensioned drawings



Maximal permissible weight of the unit fronts

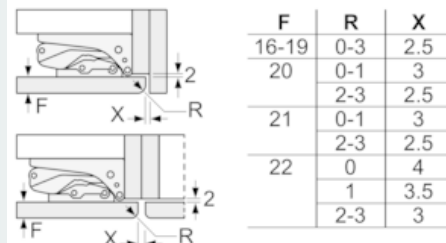


Fitted kitchen unit doors that exceed the permissible weight may cause damage and result in functional impairment of the hinges.

T: Includes height of appliance door Hinges in mm:	undamped hinge, Door in kg:	damped hinge, Door in kg:
1500-1750	22	22

measurements in mm

Recommended gap dimensions for flat hinges



The gap dimensions recommended in the table must be adhered to in order to ensure that appliance doors do not collide with anything when they are opened, and to avoid causing damage to kitchen units.

