

iQ500, built-in freezer, 177.2 x 55.8 cm GI81NAE30G



A++



very energy efficient freezer with electronic temperature control

- ✓ noFrost technology prevents icing and frosting so you never have to defrost again.
- ✓ The superFreezing button reduces the temperature for a set time, to quickly freeze newly added food items.
- ✓ All freezer drawers and glass shelves can be removed easily. varioZone lets you organize the space flexibly.
- ✓ Electronic temperature control: set the target temperature clearly and easily.
- ✓ The superFreezing button reduces the temperature for a set time, to quickly freeze newly added food items.

Features

Technical Data

Thermometer freeze section : Digital
 Light : No
 Product category : Upright freezer
 Built-in / Free-standing : Built-in
 Door panel options : Not possible
 Frost free system : Fridge and freezer
 Height without worktop / build under (mm) : 1772
 Width of the appliance : 558
 Depth (mm) : 545
 Dimensions of the packed product (HxWxD) (mm) : 1840 x 640 x 620
 Net weight (kg) : 68.006
 Gross weight (kg) : 73.2
 Connection Rating (W) : 120
 Current (A) : 13
 Frequency (Hz) : 50
 Approval certificates : CE, VDE
 Length electrical supply cord (cm) : 230
 Door hinge : Left reversible
 Storage Period in Event of Power Failure (h) : 22
 Warning signal / malfunction : visual and audible
 Lockable door : No
 Number of drawers/baskets (Stck) : 5
 Number of freezing flaps (Stck) : 2
 EAN code : 4242003731383
 Brand : Siemens
 Product name / Commercial code : GI81NAE30G
 Product category : Upright freezer
 Energy efficiency rating : A++
 Energy consumption annual (kWh/annum) - NEW (2010/30/EC) : 243.00
 Freezer Net capacity (l) - NEW (2010/30/EC) : 211
 Freezing capacity (kg/24h) - NEW (2010/30/EC) : 20
 Climate class : SN-T
 Noise level (dB(A) re 1 pW) : 36
 Installation typology : Full-integrated



iQ500, built-in freezer, 177.2 x 55.8 cm GI81NAE30G

Features

Performance and Consumption

- Energy Efficiency Class: A++
- Energy consumption: 243 kWh kWh/yr.
- Total net capacity: 211 litres
- Noise level dB(A) re 1 pW: 36

Design features

- No Frost, never have to defrost ever again
- Left-mounted, reversible door
- Electronic control (LED display)

Food freshness system

- freshSense - constant temperature by intelligent sensor technology
- Constant temperature control by intelligent sensor technology
- 1 compressor/1 cooling circuit

Key features - Freezer section

- 4 star freezer rating
- Vario Zone - removable safety glass shelves for extra space!
- 5 freezer drawers
- 2 freezer flaps with glass shelves
- superFreeze function with automatic deactivation
- Freezing capacity in 24 hours: 20 kg
- Maximum freezer storage time in power failure: 22 hours

Functions

- Freezer malfunction warning signal: optical, acoustical
- Acoustic open door warning system

Accessories

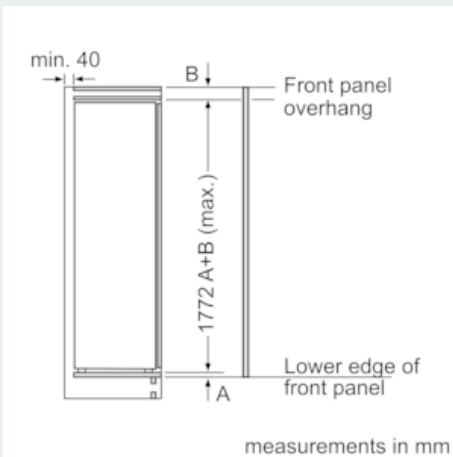
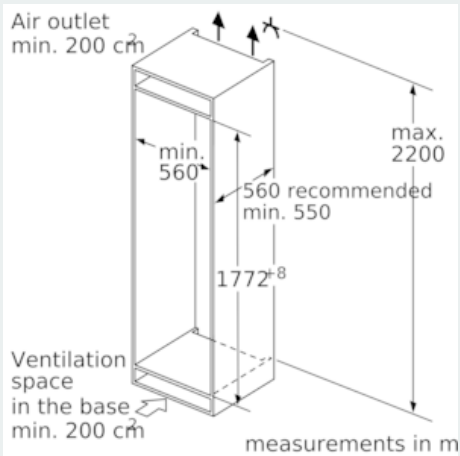
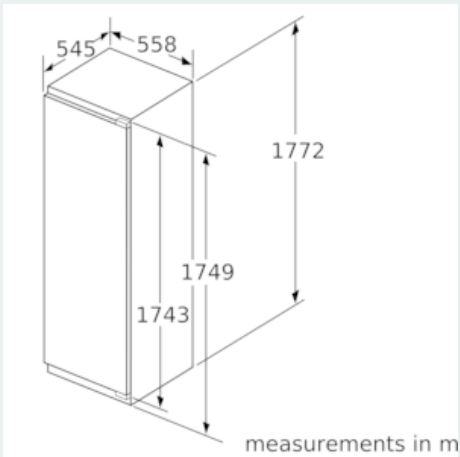
- cold accumulator, ice cube tray

Dimension and installation

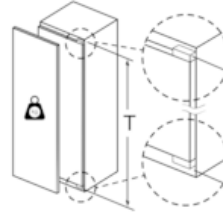
- Climate class SN-T (suitable for ambient temperatures between 10 to 43°C)
- Connection value 120 W
- 220 - 240 V
- Dimensions: 177.2 cm H x 55.8 cm W x 54.5 cm D
- Niche Dimensions: 177.5 cm H x 56 cm W x 55 cm D

**iQ500, built-in freezer, 177.2 x 55.8 cm
GI81NAE30G**

Dimensioned drawings



Maximal permissible weight of the unit fronts

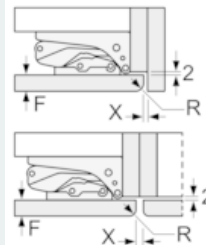


Fitted kitchen unit doors that exceed the permissible weight may cause damage and result in functional impairment of the hinges.

T: Includes height of appliance door Hinges in mm:	undamped hinge, Door in kg:	damped hinge, Door in kg:
1500-1750	22	22

measurements in mm

Recommended gap dimensions for flat hinges



F	R	X
16-19	0-3	2.5
20	0-1	3
	2-3	2.5
21	0-1	3
	2-3	2.5
22	0	4
	1	3.5
	2-3	3

The gap dimensions recommended in the table must be adhered to in order to ensure that appliance doors do not collide with anything when they are opened, and to avoid causing damage to kitchen units.