

**IQ500, built-in freezer, 71.2 x 55.8 cm, flat hinge
GI11VAF30**



built-in freezer with superFreezing and A++; an especially efficient way to freeze large amounts of food quickly.

✓ lowFrost – Less frost build-up saves energy and effort when defrosting.

Features

Technical Data

Thermometer freeze section: None
 Light: No
 Product category: Upright freezer
 Built-in / Free-standing: Built-in
 Door panel options: Not possible
 Frost free system: No
 Height of the appliance: 712 mm
 Width of the appliance: 558 mm
 Dimensions: 545 mm
 Dimensions of the packed product (HxWxD): ... 790 x 620 x 640 mm
 Weight: 37.6 kg
 Gross weight: 40.0 kg
 Connection Rating: 90 W
 Fuse protection: 10 A
 Frequency: 50 Hz
 Length electrical supply cord: 230.0 cm
 Door hinge: Right reversible
 Defrost process: manual
 Warning signal / malfunction: Both visual and audible
 Door lock: No
 Number of drawers/baskets (Stck): 3
 Number of freezing flaps (Stck): 0
 EAN code: 4242003747209
 Brand: Siemens
 Product name / Commercial code: GI11VAF30
 Product category: Upright freezer
 Included accessories: 2 x cold accumulator, 1 x ice cube tray



4 242003 747209

Included accessories

2 x cold accumulator, 1 x ice cube tray

Optional accessories

KF10ZAX0 Door panel with decor frame
 KU20ZSX0 Attachment door, stainless steel

IQ500, built-in freezer, 71.2 x 55.8 cm, flat hinge GI11VAF30

Features

Performance and Consumption

- Energy consumption: 144 kWh kWh/yr.
- Total net capacity: 72 litres
- Noise level dB(A) re 1 pW: 36

Design features

- Right hinged door, reversible door
- Electronic control (LED chain)

Food freshness system

- freshSense - constant temperature by intelligent sensor technology - Constant temperature control by intelligent sensor technology
- 1 compressor/1 cooling circuit

Key features - Freezer section

- lowFrost - less ice creation and therefore quicker defrosting - less ice build up, faster defrosting
- **** freezer (-18°C and below)
- 4 star freezer rating
- 3 freezer drawers
- SuperFreeze functions with automatic deactivation
- Freezing capacity in 24 hours: 8 kg
- Maximum freezer storage time in power failure: 21 hours

Functions

- Freezer malfunction warning signal: optical, acoustical

Accessories

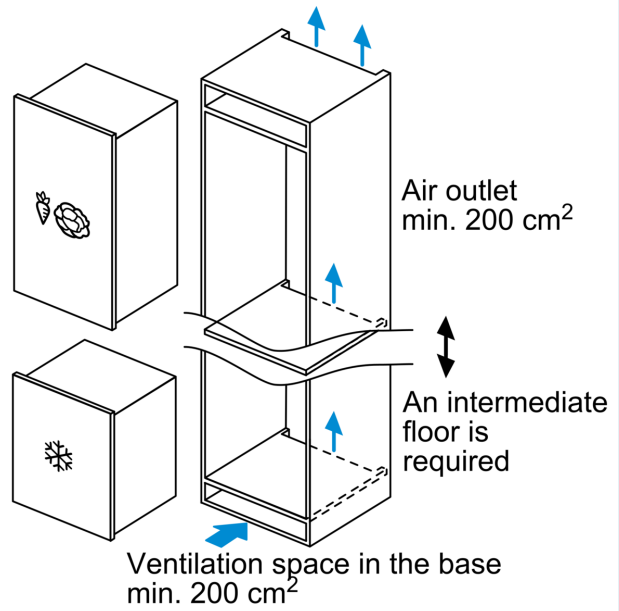
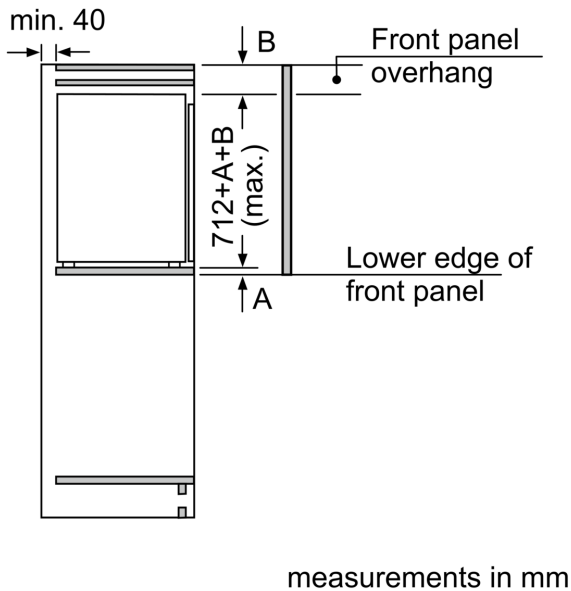
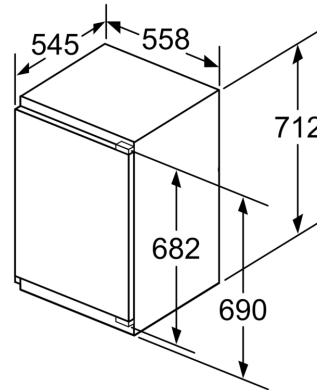
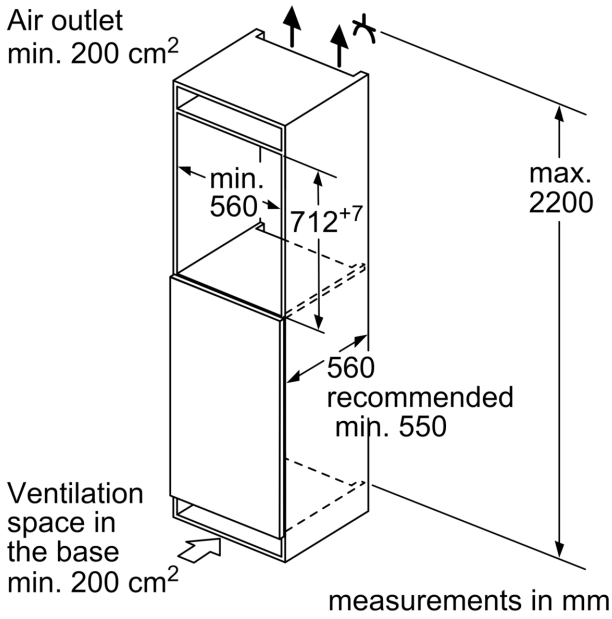
- cold accumulator, ice cube tray

Dimension and installation

- Climate class SN-T (suitable for ambient temperatures between 10 to 43°C)
- Connection value 90 W
- 220 - 240 V
- Dimensions: 71.2 cm H x 55.8 cm W x 54.5 cm D
- Niche Dimensions: 72 cm H x 56 cm W x 55 cm D

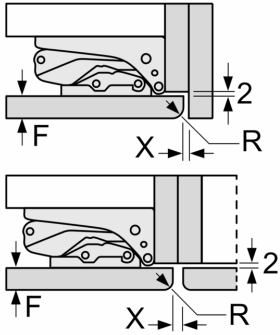
**IQ500, built-in freezer, 71.2 x 55.8 cm, flat hinge
GI11VAF30**

Dimensioned drawings



Dimensioned drawings

measurements in mm
Recommended gap dimensions for flat hinges



F	R	X
16-19	0-3	2.5
20	0-1	3
	2-3	2.5
21	0-1	3
	2-3	2.5
22	0	4
	1	3.5
	2-3	3

The gap dimensions recommended in the table must be adhered to in order to ensure that appliance doors do not collide with anything when they are opened, and to avoid causing damage to kitchen units.