

**IQ700, built-in freezer, 212.5 x 60.3 cm, flat hinge
FI24NP33**



Premium design built-in freezer with innovative noFrost technology and automatic icemaker for maximum convenience.

- ✓ noFrost – Never defrost your freezer again.
- ✓ LED light – Even lighting throughout the inside of your fridge to keep everything in view.
- ✓ superFreezing – Quick-freeze even large amounts of food.
- ✓ varioZone – easily arrange drawers and glass shelves to bring flexibility to your freezer space.
- ✓ MultiAirflow – Minimal temperature fluctuations for reduced cooling times and longer freshness.

Features

Technical Data

Energy Efficiency Class: E
 Average annual energy consumption in kilowatt hour per year (kWh/a): 284 kWh/annum
 Sum of volume of frozen compartments: 344 l
 Airborne acoustical noise emissions : 42 dB(A) re 1 pW
 Airborne acoustical noise emission class: D
 Light: Yes
 Product category: Upright freezer
 Built-in / Free-standing: Built-in
 Door panel options: Possible but accessory
 Frost free system: Fridge and freezer
 Height of the appliance: 2125 mm
 Width of the appliance: 603 mm
 Dimensions: 608 mm
 Min. required niche size for installation (HxWxD): 2134.0 x 610 x 610 mm
 Dimensions of the packed product (HxWxD): . 2270 x 700 x 740 mm
 Weight: 137.8 kg
 Gross weight: 152.6 kg
 Connection Rating: 300 W
 Fuse protection: 10 A
 Frequency: 60 Hz
 Length electrical supply cord: 300.0 cm
 Door hinge: Left reversible
 Defrost process: Automatic
 Warning signal / malfunction: No signal
 Door lock: No
 Number of drawers/baskets (Stck): 2
 Number of freezing flaps (Stck): 0
 EAN code: 4242003923511
 Brand: Siemens
 Product name / Commercial code: FI24NP33
 Product category: Upright freezer
 Included accessories: ... 1 x connection hose, 1 x ice cube scoop, 1 x Ice storage container, small

Included accessories

1 x connection hose, 1 x ice cube scoop, 1 x Ice storage container, small

Optional accessories

CI60ZBL1 Large Ice Bucket
 KS50ZUCP Water filter



IQ700, built-in freezer, 212.5 x 60.3 cm, flat hinge FI24NP33

Features

- NoFrost, Built-in fridge
- Fully integrated

Performance and Consumption

- EU19_EEK_D: E
- Total Volume : 344 l
- Net Fridge Volume : 0 l
- Net Freezer Volume : 344 l
- Net 4* compartment volume : 344 l
- Freezing capacity 24h : 19 kg
- Annual Energy Consumption: 284 kWh/a
- Climate Class: SN-T
- EU19_Fast freezer facility_D: yes
- Noise Level : 42 dB
- Temperature rise time : EU19_Temperature rise time_D: 7 H

Functions

- Built-in fridge
- Fixed hinge
- Ventilation in plinth, the plinth size can be varied
- Door aperture angle 115°
- Variable plinth adaption

Design features

- NoFrost, never have to defrost ever again
- Home Connect: iService Remote, Remote Monitoring and Control with Wi-Fi connectivity
- Economy setting
- Acoustic open door warning system
- superFreeze function with automatic deactivation

Food freshness system

- Door trays in freezer door: 4
- Removable safety glass shelves for extra space
- 2 freezer drawers
- Automatic ice cube maker
- Ice cube output 1.5 kg per 24 hrs.
- Fixed water connection with a 3m hose supplied (3/4")
- 4 metal shelves of which 3 are height adjustable.
- Bright interior LED freezer light

Key features - Fridge section

- Connection Length (water supply):300 cm
- Connection value 300 W
- 220 - 240 V

Dimension and installation

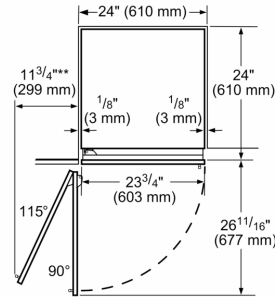
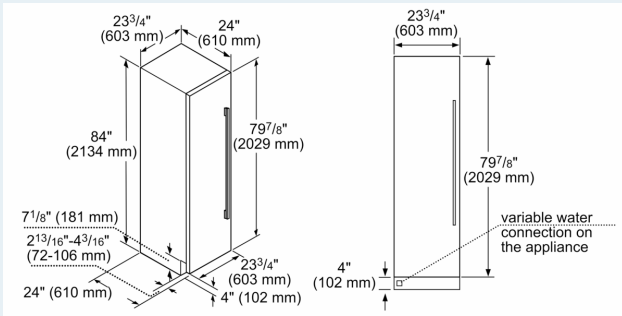
- Dimensions: 212.5 cm H x 60.3 cm W x 60.8 cm D
- Niche Dimensions: 213.4 cm H x 61 cm W x 61 cm D

Key features - Freezer section

Additional features

**IQ700, built-in freezer, 212.5 x 60.3 cm, flat hinge
FI24NP33**

Dimensioned drawings



* Depends on the thickness of the unit door.
3/4" (19 mm) refers to the stainless steel door. (Special accessory.)

