

IQ700, Induction hob, 90 cm, Black, EX975LVC1E



- ✓ flexInduction – Smart cooking zone that adapts to your cookware.
- ✓ Dual light slider – Just touch and slide to control your hob.
- ✓ fryingSensor Plus – No more burning or scorching your meals.
- ✓ Adjust heat levels in three steps just by moving the cookware – powerMove Plus.
- ✓ powerBoost – Increases the power of an induction zone by up to 50%.

Features

Technical Data

Product name/family:	Cooking zone ceramic
Built-in / Free-standing:	Built-in
Energy input:	Electric
Number of cooking zones:	5
Min. required niche size for installation (HxWxD):	51 x 880-880 x 490-500 mm
Width of the appliance:	912 mm
Dimensions:	51 x 912 x 520 mm
Dimensions of the packed product (HxWxD): .	126 x 1073 x 603 mm
Weight:	19.2 kg
Gross weight:	23.0 kg
Residual heat indicator:	Separate
Location of control panel:	Front
Basic surface material:	Ceramic
Color of surface:	Black, Alu, brushed
Length electrical supply cord:	110.0 cm
EAN code:	4242003705599
Nominal power:	220-240 V
Frequency:	50; 60 Hz

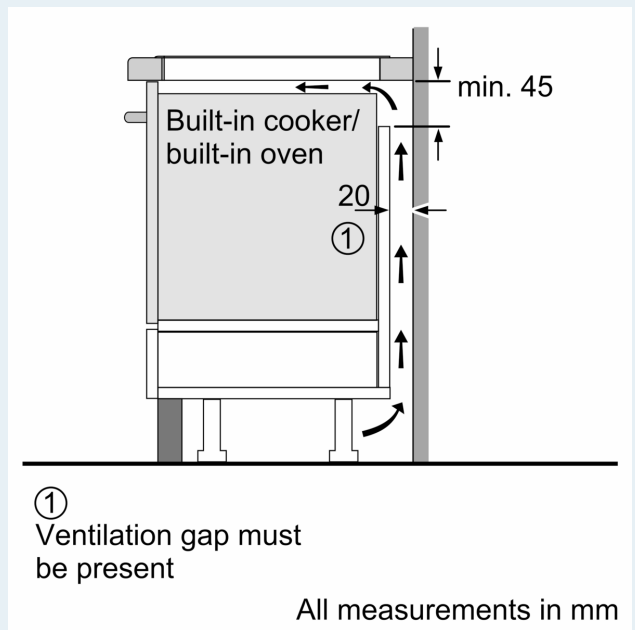
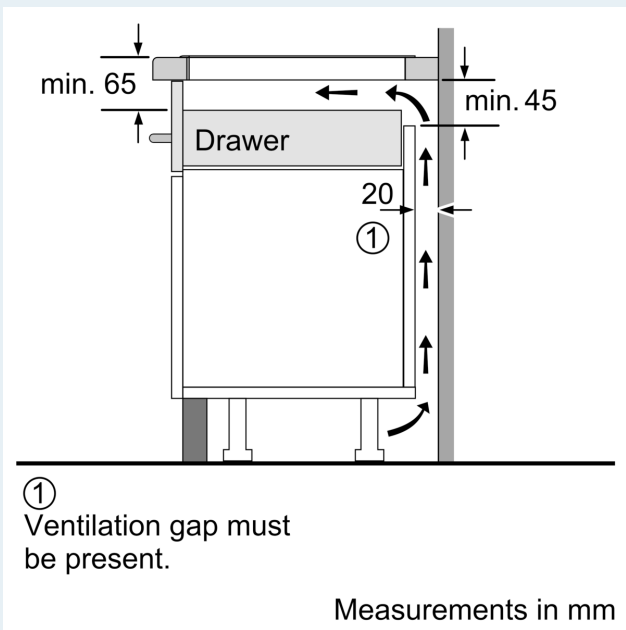
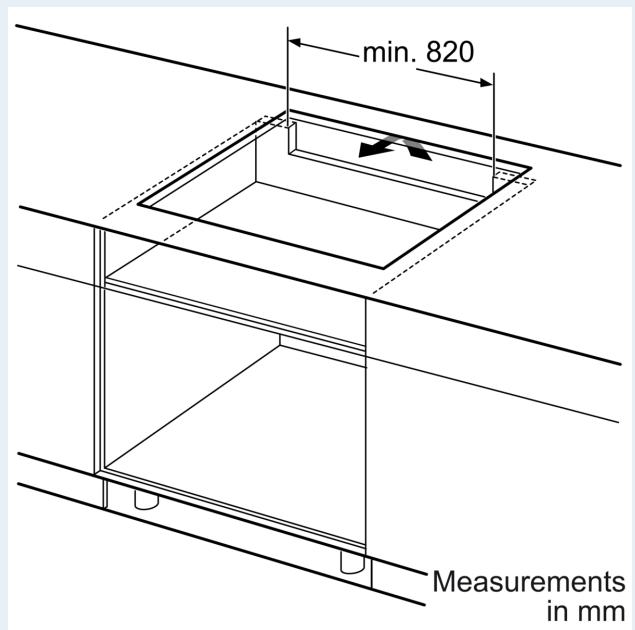
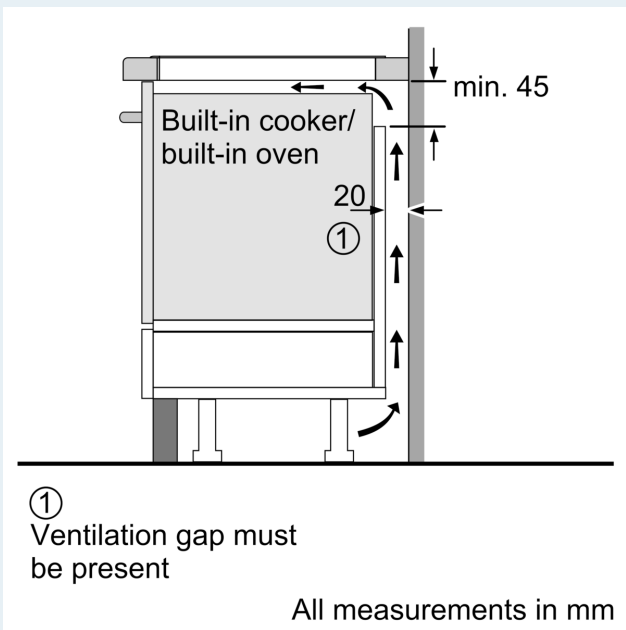


Optional accessories

HZ32WA00 Wireless food thermometer, HZ390011 Stainless Steel roaster with glas lid, HZ390012 Steaming Rack for Stainless Steel roaste, HZ390210 System pan diameter 15 cm, HZ390220 System pan diameter 19 cm, HZ390230 System pan diameter 21cm, HZ390240 Paella pan Ø 31 cm, HZ390250 System pan diameter 28 cm, HZ390512 Teppan Yaki (large), HZ390522 Griddle Plate, HZ394301 Connecting strip, HZ9E5100 Espresso maker 4 cups, HZ9FE280 Iron pan Ø 18 / 28 cm, HZ9FF010 Flex Pan, large, HZ9FF030 Flex Pan set, 3 pcs., HZ9FF040 Flex Pan set, 4 pcs., HZ9SE030 Set of 2 pots and 1 pan, HZ9SE040 4 pieces Set, HZ9SE060 6 pieces Set, HZ9TY010 Teppan Yaki

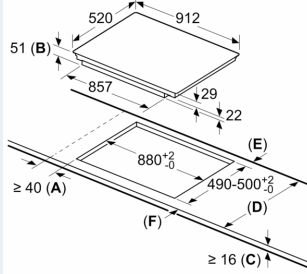
**IQ700, Induction hob, 90 cm,
Black,
EX975LVC1E**

Dimensioned drawings



Dimensioned drawings

measurements in mm



- A:** Minimum distance from the hob cut-out to the wall.
- B:** Recessed depth
- C:** The clearance between the surface of the worktop and the top of the front of the oven must be 30 mm. See space requirements for the oven.

The worktop into which the hob is installed must withstand loads of approx. 60 kg; suitable substructures must be used if required.

D	E	F
585-600	50	≥ 35
> 600	≥ 50	≥ 50