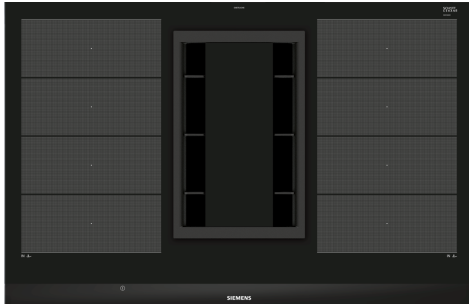


IQ700, Induction hob with integrated ventilation system, 80 cm, surface mount with frame EX875LX34E



A



Optional accessories

HZ390511 Teppan Yaki (small), HZ390512 Teppan Yaki (large), HZ390522 Griddle Plate, HZ394301 Connecting strip, HZ9SE030 Set of 2 pots and 1 pan, HZ381401 Exhaust kit, HZ381501 Recirculating kit, HZ381700 Recirculation filter, HZ390011 Stainless Steel roaster with glas lid, HZ390012 Steaming Rack for Stainless Steel roaste, HZ390090 Wok Set consisting of 3 Items, HZ390210 System pan diameter 15 cm, HZ390220 System pan diameter 19 cm, HZ390230 System pan diameter 21 cm, HZ39050 Wireless temperature sensor for cooktop

Induction hob with integrated ventilation unit.

- ✓ flexInduction – Smart cooking zone that adapts to your cookware.
- ✓ Dual light slider – Just touch and slide to control your hob.
- ✓ climateControl Sensor – Monitors steam and smells, adjusts the power level automatically.
- ✓ cookingSensor Plus ready: the supplementary available sensor prevents overboiling thanks to precise temperature control.
- ✓ fryingSensor Plus – No more burning or scorching your meals.

Features

Technical Data

Product name/family: Cooking zone ceramic
 Built-in / Free-standing: Built-in
 Energy input: Electric
 Min. required niche size for installation (HxWxD): .. 198 x 780-780 x 490-500 mm
 Width of the appliance: 812 mm
 Dimensions: 198 x 812 x 520 mm
 Dimensions of the packed product (HxWxD): ... 330 x 760 x 940 mm
 Weight: 27.1 kg
 Gross weight: 33.4 kg
 Residual heat indicator: Separate
 Location of control panel: Front
 Basic surface material: Ceramic
 Color of surface: Black, Alu, brushed
 Length electrical supply cord: 110.0 cm
 Sealed Burners: No
 heating with booster: All
 Power of 2nd heating element (kW): 3.3 kW
 Number of speed settings: 9-stage + intensive
 Maximum output air extraction: 551 m³/h
 Boost position output recirculating: 630.0 m³/h
 Maximum output recirculating air: 557 m³/h
 Boost position air extraction: 698 m³/h
 Noise level: 70 dB(A) re 1 pW
 Odour filter: No
 Ventilation type: Convertible
 Grease filter type: Kasette
 Nominal power: 220-240 V
 Frequency: 60; 50 Hz
 Delay Shut off modes: 30 min



IQ700, Induction hob with integrated ventilation system, 80 cm, surface mount with frame EX875LX34E

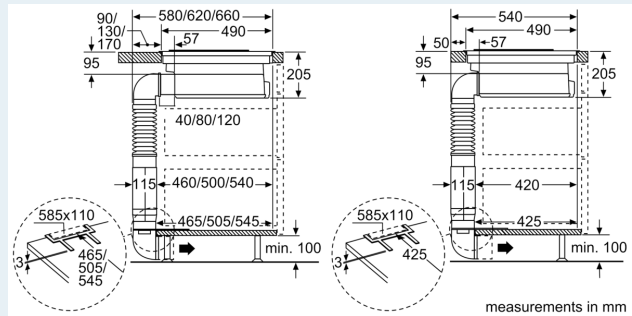
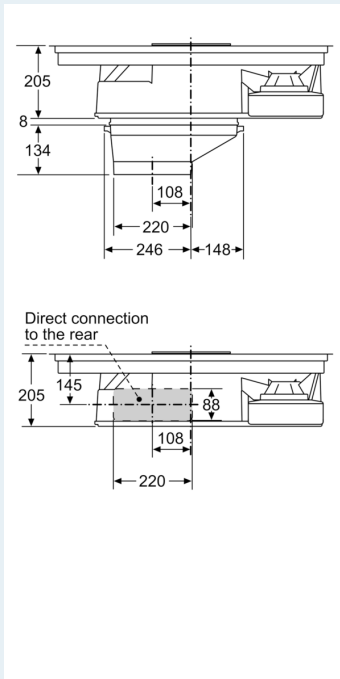
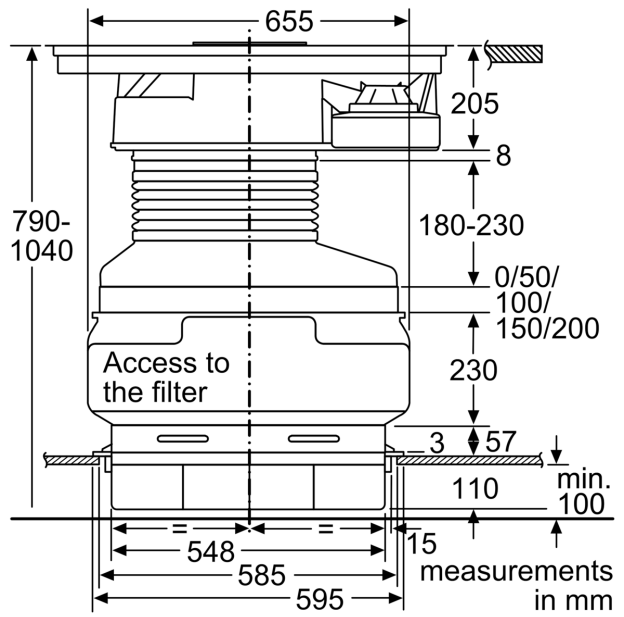
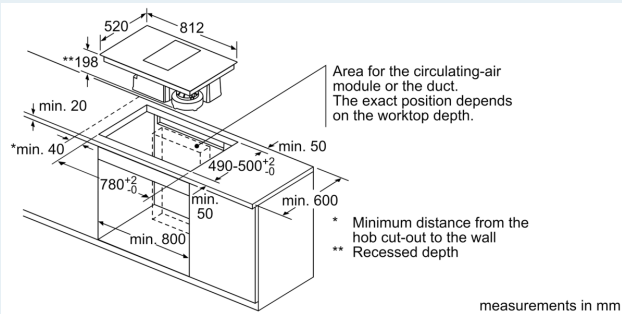
Features	
<p>Design</p> <ul style="list-style-type: none"> • Induction hob with extractor, autarkic • Stainless Steel side trim with bevelled front edge • 812 mm <p>Control</p> <ul style="list-style-type: none"> • Dual lightSlider • fryingSensor plus with 5 temperature settings • cookingSensor Plus ready (sensor available as additional purchase) <p>Special features</p> <ul style="list-style-type: none"> • 2 flexInduction zones • 4 induction cooking zones • powerMove plus • reStart function • Timer for all zones • Acoustic Signal Count up timer • Keep warm function • 17 power levels • Power boost setting • panBoost • Energy Consumption Display <p>Performance/technical information</p> <ul style="list-style-type: none"> • High-performance blower, Efficient BLDC-technology • Suitable for ducted or re-circulated extraction (Accessory is respectively needed) • Fully-automatic extraction functionality with Automatic Air Sensor • 9 speeds plus 1 intensive • Automatic 30 minutes after running • Cast-iron air inlet grid, heat resistant, dishwasher safe • Saturation indicator for cleanAir odour filter • Removable and detachable grease filter and liquid collector unit, dishwasher safe • - integrated stainless steel grease filters, dishwasher safe - condensate and liquid collector unit; ca. 200ml capacity; dishwasher safe • Liquid spillover safety tank, ca. 2000ml capacity, Twist-off lock, dishwasher safe • For ducted extraction kit, accessory HZ381401 needed • For recirculated extraction cleanAir kit, accessory HZ381501 needed <p>Safety Features</p> <ul style="list-style-type: none"> • Automatic pan recognition • Automatic safety switch off Control panel lock Control panel pause • 2 stage residual heat indicators • Main on/off switch <p>Technical information</p> <ul style="list-style-type: none"> • Cooking zones: 1 x Ø 400 mmx240 mm, 3.3 KW (max. Power levels 3.7 KW) Induction or 2 x Ø 200 mm, 2.2 KW (max. Power levels 3.7 	<p>KW) Induction; 1 x Ø 400 mmx240 mm, 3.3 KW (max. Power levels 3.7 KW) Induction or 2 x Ø 200 mm, 2.2 KW (max. Power levels 3.7 KW) Induction</p> <ul style="list-style-type: none"> • Energy Efficiency Class: A (at a range of energy efficiency classes from A+++ to D) • Average Energy Consumption: 53.5 kWh/year • Blower Efficiency Class: A • Grease Filtering Efficiency Class: B • Extraction rate: <ul style="list-style-type: none"> • - min. normal setting 169 m3/h • - max. normal setting 551 m3/h • - Boost/Intensive setting 698 m3/h • Noise min./max. Normal Level: 39/69 dB • Noise level in ducted extraction : <ul style="list-style-type: none"> • - min. normal setting 42 dB(A) re 1 pW (31dB(A) re 20 µPa sound pressure) • - max. normal setting 70 dB(A) re 1 pW (59dB(A) re 20 µPa sound pressure) • - Boost/Intensive setting 75 dB(A) re 1 pW (64 dB(A) re 20 µPa sound pressure) • Performance in re-circulated extraction: <ul style="list-style-type: none"> • - min. normal setting 139 m3/h • - max. normal setting 557 m3/h • - Boost-/Intensive setting 630 m3/h • Noise level in re-circulated extraction: <ul style="list-style-type: none"> • - min. normal setting 42 dB(A) re 1 pW (31dB(A) re 20 µPa sound pressure) • - max. normal setting 74 dB(A) re 1 pW (62dB(A) re 20 µPa sound pressure) • - Boost-/Intensive setting 75 dB(A) re 1 pW (62 dB(A) re 20 µPa sound pressure) • Grease filter efficiency: 90 % • Odour reduction rate: 85 % • Connection cable (1.1 m) with cable • Large-scale stainless-steel grease filters with 12 layers for high grease filtration efficiency • Connected load: 7.4 KW • Cable included in packaging <p>Installation Advice</p> <ul style="list-style-type: none"> • Base cupboard width: min. 80 cm. • Min. worktop thickness: 20 mm (Installation in thinner worktops is also possible with the spare part: 626792) • Worktop depth: min. 60 cm (with shortened drawers), max. drawer's depth can be used starting with a worktop depth of 70 cm. • Immersion depth: 19.8 cm • Modules for ducted extraction or re-circulated extraction must be ordered separately as special accessory. • Installation measurements: 780 mmx490 mm

Features

--	--

IQ700, Induction hob with integrated ventilation system, 80 cm, surface mount with frame EX875LX34E

Dimensioned drawings



Dimensioned drawings

