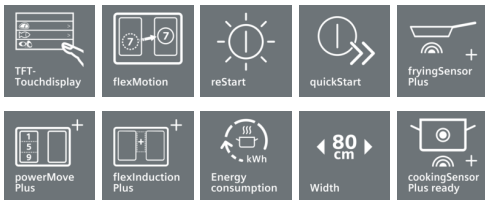
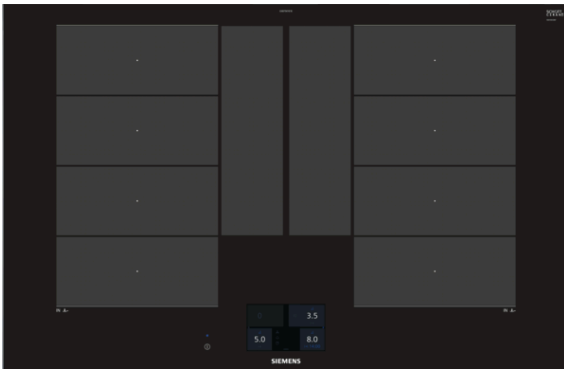


**iQ700**  
**EX875KYE1E Induction Hob**  
**Side profiles**  
**812 mm**



Induction cooktop with innovative features that enable highly flexible cooking in any situation.

- ✓ powerMove Plus enables intuitive control thanks to three heating zones with different temperatures, just by moving the pan
- ✓ flexInduction Plus adapts the cooking zones to different cookware and pots up to 30 cm diameter – for more flexibility.
- ✓ fryingSensor: maintains the desired pan temperature automatically after heating up to avoid scorching.
- ✓ The new TFT-Touchdisplay makes the operation of all the hob's functions easier than ever.
- ✓ cookingSensor Plus ready: The supplementary available sensor prevents overboiling thanks to precise temperature control.

#### Features

##### Technical Data

Product name/family : Cooking zone ceramic  
 Construction type : Built-in  
 Energy input : Electric  
 Total number of positions that can be used at the same time : 4  
 Required niche size for installation (HxWxD) : 51 x 750-780 x 490-500  
 Appliance Width (mm) : 812  
 Dimensions of the product (mm) : 51 x 812 x 520  
 Dimensions of the packed product (HxWxD) (mm) : 126 x 953 x 603  
 Net weight (kg) : 18.088  
 Gross weight (kg) : 20.0  
 Residual heat indicator : Separate  
 Location of control panel : Hob front  
 Color of surface : Alu, brushed, Black  
 Color of frame : Alu, brushed  
 Approval certificates : AENOR, CE  
 Length electrical supply cord (cm) : 110  
 EAN code : 4242003698235  
 Electrical connection rating (W) : 7400  
 Voltage (V) : 220-240  
 Frequency (Hz) : 60; 50

#### Included accessories

1 x adjustment strip 750 - 780 mm

#### Optional accessories

HZ390522 Griddle Plate  
 HZ390512 Teppan Yaki (large)  
 HZ39050 Wireless temperature sensor for cooktop  
 HZ390230 System pan diameter 21cm  
 HZ390012 Steaming Rack for Stainless Steel roaste  
 HZ390011 Stainless Steel roaster with glas lid



4 242003 698235

# iQ700

## EX875KYE1E Induction Hob

### Side profiles

### 812 mm

#### Features

##### Control:

- fullTouch TFT Display
- fryingSensor plus with 5 temperature settings
- cookingSensor Plus ready (sensor available as additional purchase)

##### Speacial features

- flexInduction Plus
- 2 extended flexInduction zones
- 4 induction cooking zones
- flexMotion
- powerMove plus
- reStart function
- cookControl Plus
- Timer for all zones
- Acoustic Signal
- Count up timer
- Keep warm function
- 17 power levels
- Power boost setting
- panBoost
- Energy Consumption Display

##### Safety Features

- Automatic pan recognition
- Connection current management (20, 16, 13, 10 Amps options)
- Automatic safety switch off
- Control panel lock
- Control panel pause
- 2 stage residual heat indicators
- Main on/off switch

##### Power and size:

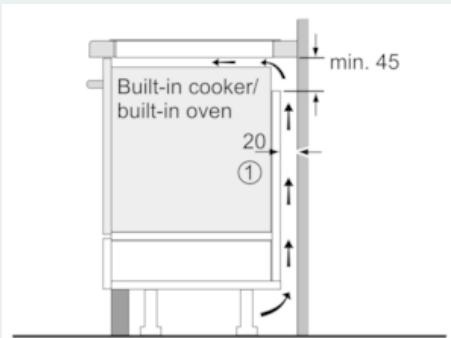
- Cooking zones: 1 x Ø 400 mmx230 mm, 3.3 KW (max. Power levels 3.7 KW) Induction or 2 x Ø 200 mm, 2.2 KW (max. Power levels 3.7 KW) Induction; 1 x Ø 400 mmx230 mm, 3.3 KW (max. Power levels 3.7 KW) Induction or 2 x Ø 200 mm, 2.2 KW (max. Power levels 3.7 KW) Induction

##### Technical information

- Installation measurements: 750 mmx490 mm
- Connection cable (1.1 M )
- Min. worktop thickness: 30 mm
- Connected load: 7.4 kW
- Cable included in packaging

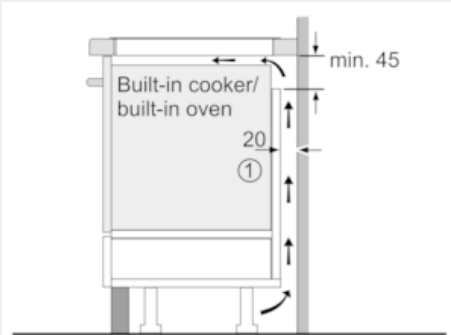
**iQ700**  
**EX875KYE1E Induction Hob**  
**Side profiles**  
**812 mm**

Dimensioned drawings



①  
Ventilation gap must  
be present

All measurements in mm



①  
Ventilation gap must  
be present

All measurements in mm