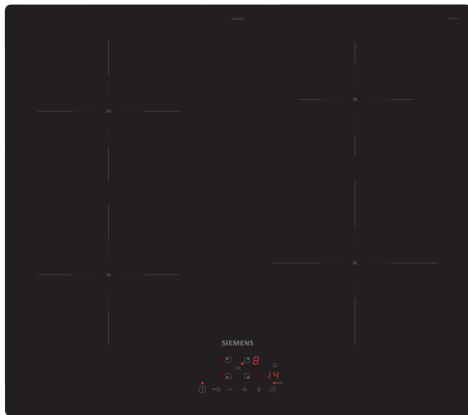


IQ100, Induction hob, 60 cm, Black, EU611BEB5B



Optional accessories

HZ9FE280	Iron pan Ø 18 / 28 cm
HZ390090	Wok Set consisting of 3 Items
HZ9ES100	Espresso maker 4 cups
HZ9SE030	Set of 2 pots and 1 pan
HZ9SE040	4 pieces Set
HZ9SE060	6 pieces Set
HZ32WA00	Wireless food thermometer

The induction cooktop – faster, safer, cleaner, more efficient cooking.

- ✓ touchControl makes the control of your cooktop especially convenient, just by the touch of a finger.
- ✓ powerBoost – Increases the power of an induction zone by up to 50%.
- ✓ The child safety lock safely prevents unintentional switch-on.
- ✓ Faster, cleaner and safer cooking - powerInduction.
- ✓ Safely shuts off the cooking zone - Timer with switch-off function.

Features

Technical Data

Product name/family:	Cooking zone ceramic
Built-in / Free-standing:	Built-in
Energy input:	Electric
Number of cooking zones:	4
Min. required niche size for installation (HxWxD):	51 x 560-560 x 490-500 mm
Width of the appliance:	592 mm
Dimensions:	51 x 592 x 522 mm
Dimensions of the packed product (HxWxD): ...	126 x 753 x 608 mm
Weight:	9.5 kg
Gross weight:	11.6 kg
Residual heat indicator:	Separate
Location of control panel:	Front
Basic surface material:	Ceramic
Color of surface:	Black
Length electrical supply cord:	110.0 cm
EAN code:	4242003899878
Nominal power:	220-240 V
Frequency:	50; 60 Hz



IQ100, Induction hob, 60 cm, Black, EU611BEB5B

Features

- 60 cm: space for 4 pots or pans.

Flexibility of cooking zones

- Cooking zone front left: 180 mm, 1.8 KW (max. power 3.1 KW)
- Cooking zone rear left: 180 mm, 1.8 KW (max. power 3.1 KW)
- Cooking zone rear right: 145 mm, 1.4 KW (max power 2.2 KW)
- Cooking zone front right: 210 mm, 2.2 KW (max. power 3.7 KW)

Usage convenience

- touchControl: control the power with imprinted +/- touch buttons.
- 17 power levels: precisely adapt the heat with 17 power levels (9 main levels and 8 intermediate levels).
- Switch-off timer: switches off the cooking zone at the end of the time set (e.g. for boiled eggs).
- Count-down timer: an alarm sounds at the end of the time set (e.g. for pasta).

Time saving & efficiency

- Power boost setting
- : boil water faster thanks to 50% more energy than at the highest standard level.
- quickStart function: when switching on, the hob automatically selects the cooking zone with cookware (when placed on a zone whilst the hob is off).
- reStart function: in case of unintentional switch-off, this feature restores all previous settings by switching on the hob again within 4 seconds
- quickStop: quickly switch off a cooking zone with one longer touch.

Design

- frameless design

Safety

- 2 stage residual heat indicators: indicates which cooking zones are still hot or warm.
- Control panel lock: prevent unintended activation of the hob.
- Main on/off switch: switch off all cooking zones at the touch of a button.
- Automatic safety switch off: for safety reasons, heating stops after a preset time if not used (possible to customise).

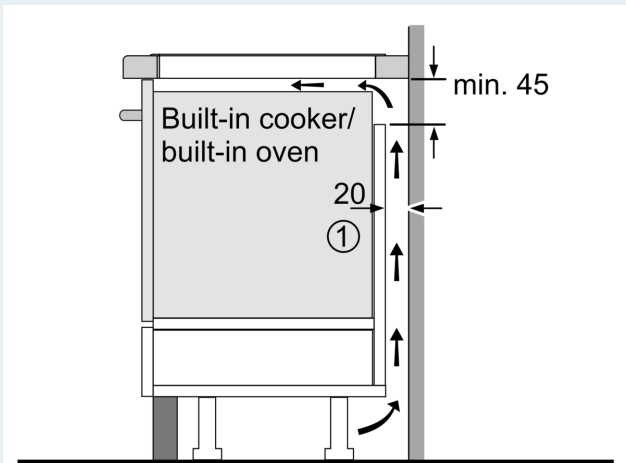
Installation

- Dimensions of the product (HxWxD mm): 51 x 592 x 522
- Required niche size for installation (HxWxD mm) : 51 x 560 x (490 - 500)
- Min. worktop thickness: 16 mm
- Connected load: 3.7 KW
- Connection current management (20, 16, 13, 10 Amps options): limit the maximum power if needed (depends on fuse protection of electric installation).
- Power cord 1.1 m UK 3 pin plug: plug and play, no electrician required for installation.
- This hob is equipped with a UK 3 pin plug for an easy plug & play installation. The plug limits the maximum power output to 3.7 KW. For higher power output, please select a hob without plug and

ensure installation is carried out by a qualified electrician.

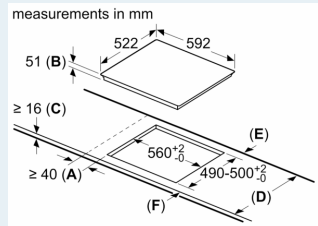
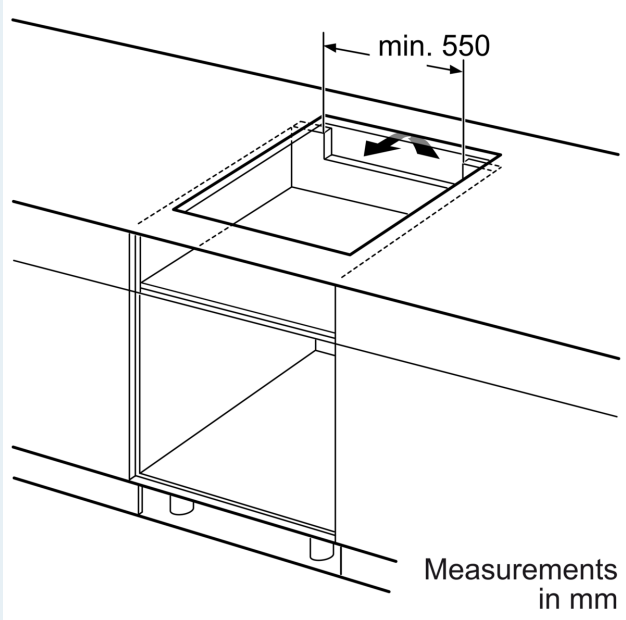
**IQ100, Induction hob, 60 cm,
Black,
EU611BEB5B**

Dimensioned drawings



①
Ventilation gap must
be present

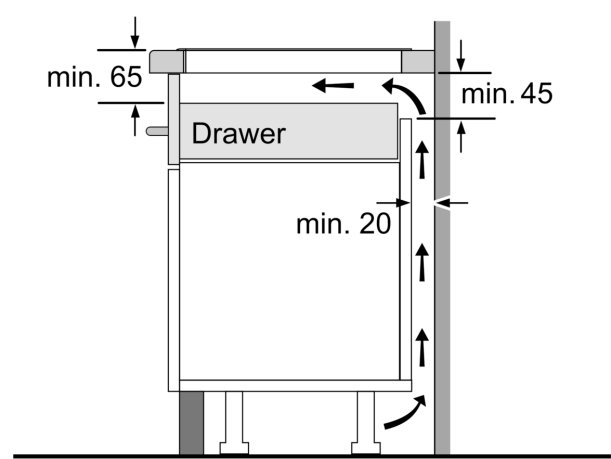
All measurements in mm



- A:** Minimum distance from the hob cut-out to the wall.
- B:** Recessed depth
- C:** The clearance between the surface of the worktop and the top of the front of the oven must be 30 mm. See space requirements for the oven.

The worktop into which the hob is installed must withstand loads of approx. 60 kg; suitable substructures must be used if required.

D	E	F
585-600	50	≥ 35
> 600	≥ 50	≥ 50



Measurements in mm