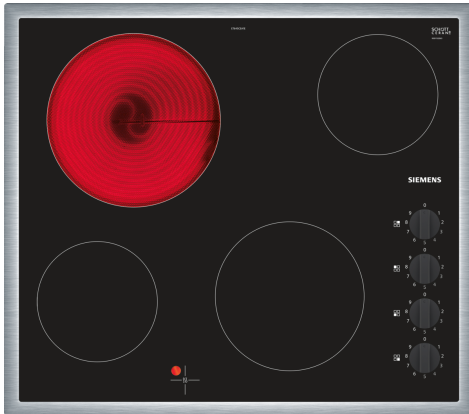


IQ100, Electric hob, 60 cm, Black, ET645CEA1E



Optional accessories

- HZ32WA00 Wireless food thermometer
- HZ390090 Wok Set consisting of 3 Items
- HZ9SE030 Set of 2 pots and 1 pan

The modern glass ceramic cooktop for more cooking pleasure and less cleaning effort.

- ✓ All around trim
- ✓ 60 cm: space for 4 pots or pans.
- ✓ Cooking zone front left: 145 mm, 1.2 KW
- ✓ Cooking zone rear left: 210 mm, 2.2 KW
- ✓ Cooking zone rear right: 145 mm , 1.2 KW

Features

Technical Data

Product name/family: Cooking zone ceramic
 Built-in / Free-standing: Built-in
 Energy input: Electric
 Number of cooking zones: 4
 Min. required niche size for installation (HxWxD):48 x 560-560 x 490-500 mm
 Width of the appliance: 583 mm
 Dimensions:48 x 583 x 513 mm
 Dimensions of the packed product (HxWxD): ... 100 x 750 x 590 mm
 Weight: 7.5 kg
 Gross weight: 8.3 kg
 Residual heat indicator: Separate
 Location of control panel: Lateral
 Basic surface material: Ceramic
 Color of surface: Black, Stainless steel
 Color of frame: Stainless steel
 EAN code:4242003753668
 Nominal power: 220-240 V
 Frequency:60; 50 Hz



IQ100, Electric hob, 60 cm, Black, ET645CEA1E

Features

Design

- All around trim
- 60 cm: space for 4 pots or pans.

Flexibility of cooking zones

- Cooking zone front left: 145 mm, 1.2 KW
- Cooking zone rear left: 210 mm, 2.2 KW
- Cooking zone rear right: 145 mm, 1.2 KW
- Cooking zone front right: 180 mm, 2 KW

Usage convenience

- Sword knob: control the power with mounted dials.
- 9 power levels: precisely adapt the heat with 9 power levels.

Safety

- Residual heat indicators: indicates which cooking zones are still hot.

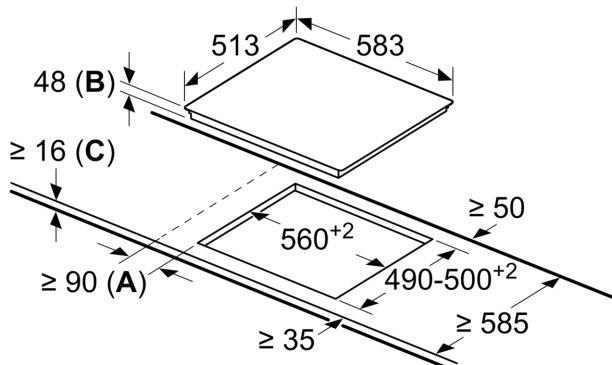
Installation

- Dimensions of the product (HxWxD mm): 48 x 583 x 513
- Required niche size for installation (HxWxD mm) : 48 x 560 x (490 - 500)
- Min. worktop thickness: 16 mm
- Connected load: 6.6 KW

**IQ100, Electric hob, 60 cm, Black,
ET645CEA1E**

Dimensioned drawings

measurements in mm



- A:** Minimum distance from the hob cut-out to the wall.
- B:** Recessed depth
- C:** With fitted oven underneath min. 20, possibly more; see space requirements for the oven.