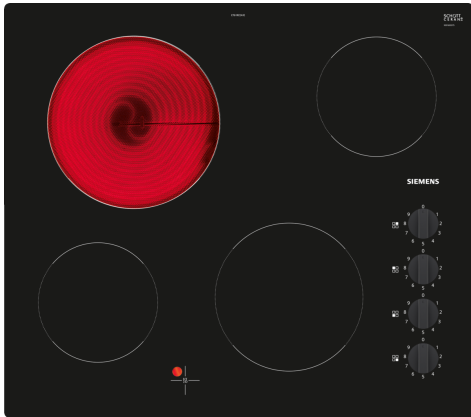


## IQ100, Electric hob, 60 cm, Black, ET61RCEA1E



### Optional accessories

HZ32WA00	Wireless food thermometer
HZ390090	Wok Set consisting of 3 Items
HZ9SE030	Set of 2 pots and 1 pan

The modern glass ceramic cooktop for more cooking pleasure and less cleaning effort.

- ✓ Cooking zone front left: 145 mm, 1.2 KW
- ✓ Cooking zone rear left: 210 mm, 2.2 KW
- ✓ Cooking zone rear right: 145 mm, 1.2 KW
- ✓ Cooking zone front right: 180 mm, 2 KW
- ✓ Sword knob: control the power with mounted dials.

### Features

#### Technical Data

Product name/family: .....	Cooking zone ceramic
Built-in / Free-standing: .....	Built-in
Energy input: .....	Electric
Number of cooking zones: .....	4
Min. required niche size for installation (HxWxD): ....	46 x 560-560 x 490-500 mm
Width of the appliance: .....	592 mm
Dimensions: .....	46 x 592 x 522 mm
Dimensions of the packed product (HxWxD): ...	100 x 750 x 590 mm
Weight: .....	7.5 kg
Gross weight: .....	8.3 kg
Residual heat indicator: .....	Separate
Location of control panel: .....	Lateral
Basic surface material: .....	Ceramic
Color of surface: .....	Black
EAN code: .....	4242003899489
Nominal power: .....	220-240 V
Frequency: .....	50; 60 Hz



## IQ100, Electric hob, 60 cm, Black, ET61RCEA1E

### Features

#### Flexibility of cooking zones

- Cooking zone front left: 145 mm, 1.2 KW
- Cooking zone rear left: 210 mm, 2.2 KW
- Cooking zone rear right: 145 mm , 1.2 KW
- Cooking zone front right: 180 mm, 2 KW

#### Usage convenience

- Sword knob: control the power with mounted dials.
- 9 power levels: precisely adapt the heat with 9 power levels.

#### Design

- 60 cm: space for 4 pots or pans.
- frameless design

#### Safety

- Residual heat indicators: indicates which cooking zones are still hot.

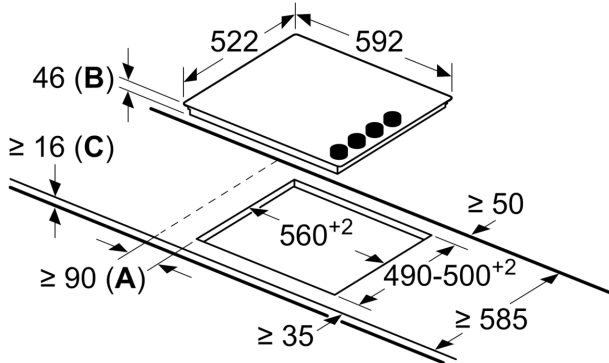
#### Installation

- Dimensions of the product (HxWxD mm): 46 x 592 x 522
- Required niche size for installation (HxWxD mm) : 46 x 560 x (490 - 500)
- Min. worktop thickness: 16 mm
- Connected load: 6.6 KW

**IQ100, Electric hob, 60 cm, Black,  
ET61RCEA1E**

Dimensioned drawings

measurements in mm



- A:** Minimum distance from the hob cut-out to the wall.
- B:** Recessed depth
- C:** With fitted oven underneath min. 20, possibly more; see space requirements for the oven.