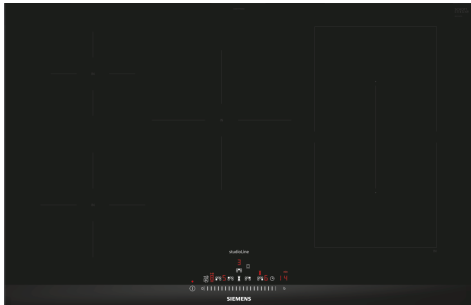


IQ500, Induction hob, 80 cm, Black, ED877FWB5E



Optional accessories

HZ390090	Wok Set consisting of 3 Items
HZ390230	System pan diameter 21cm
HZ394301	Connecting strip
HZ9ES100	Espresso maker 4 cups
HZ9FE280	Iron pan Ø 18 / 28 cm
HZ9SE030	Set of 2 pots and 1 pan
HZ9SE040	4 pieces Set
HZ9SE060	6 pieces Set

The modern CombiInduction cooktop - for more cooking possibilities

- ✓ combiZone – Connect two induction zones together for large cookware.
- ✓ The touchSlider allows the hob temperature to be controlled by entering it directly or by moving the slider with a single finger.
- ✓ Automatic simmer function for convenient cooking thanks to preset power levels.
- ✓ powerBoost – Increases the power of an induction zone by up to 50%.
- ✓ Safely shuts off the cooking zone - Timer with switch-off function.

Features

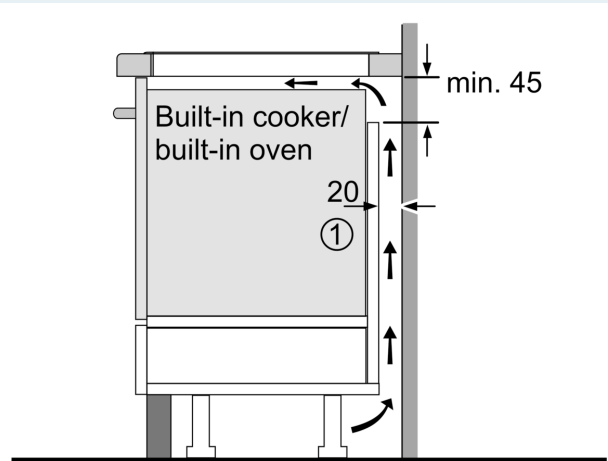
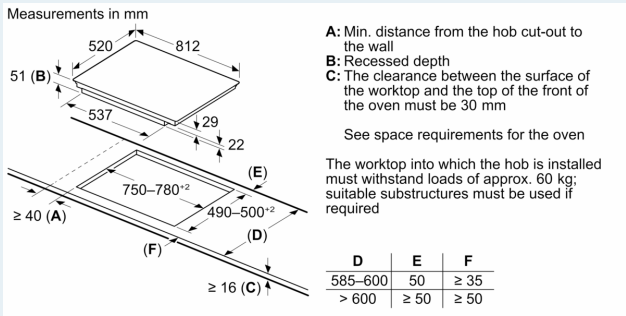
Technical Data

Product name/family:	Cooking zone ceramic
Built-in / Free-standing:	Built-in
Energy input:	Electric
Number of cooking zones:	5
Min. required niche size for installation (HxWxD):	51 x 750-780 x 490-500 mm
Width of the appliance:	812 mm
Dimensions:	51 x 812 x 520 mm
Dimensions of the packed product (HxWxD): ...	126 x 953 x 608 mm
Weight:	13.5 kg
Gross weight:	17.2 kg
Residual heat indicator:	Separate
Location of control panel:	Front
Basic surface material:	Ceramic
Color of surface:	Black
Length electrical supply cord:	110.0 cm
EAN code:	4242003843598
Nominal power:	220-240 V
Frequency:	50; 60 Hz



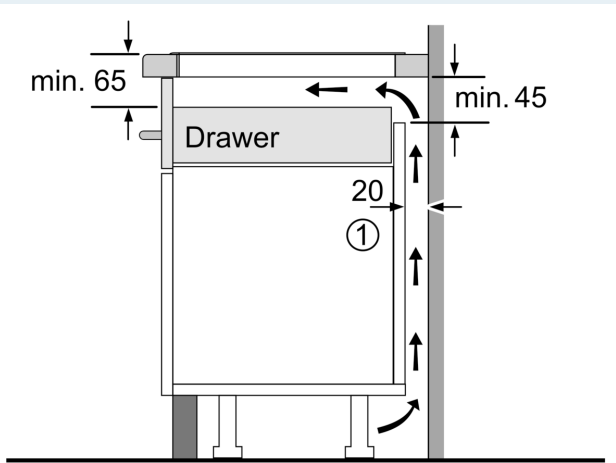
**IQ500, Induction hob, 80 cm,
Black,
ED877FWB5E**

Dimensioned drawings



① Ventilation gap must be present

All measurements in mm



① Ventilation gap must be present.

Measurements in mm

