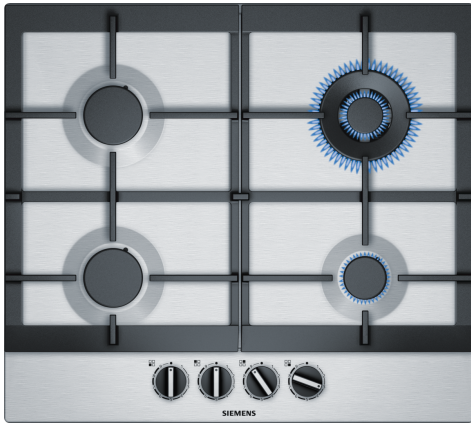


## IQ500, Gas hob, 60 cm, Stainless steel EC6A5HC90



### Optional accessories

HZ233440	Wok ring
HZ241110	Small pot support
HZ298105	Simmer plate

The gas hob with stepFlame Technology for precise flame control in nine steps.

- ✓ stepFlame Technology – Precise flame control with nine different settings.
- ✓ This wok burner with up to 3.5 kW of power (depending on gas type) is ideal for a wide variety of foods, even in large quantities.
- ✓ High-quality materials and workmanship – continuous cast-iron pan supports.
- ✓ Biomethane ready – Power your gas hob with renewable biomethane gas.
- ✓ The extremely convenient sword knob makes it easy to control and monitor the power level selected.

### Features

#### Technical Data

Product name/family:	..... gas hob w integrated controls
Built-in / Free-standing:	..... Built-in
Energy input:	..... Gas
Number of cooking zones:	..... 4
Type of control setting devices:	..... sword knobs
Min. required niche size for installation (HxWxD):	..... 45 x 560-562 x 480-492 mm
Width of the appliance:	..... 582 mm
Dimensions:	..... 53 x 582 x 520 mm
Dimensions of the packed product (HxWxD):	..... 141 x 651 x 578 mm
Weight:	..... 12.2 kg
Gross weight:	..... 13.0 kg
Residual heat indicator:	..... without
Location of control panel:	..... Front
Basic surface material:	..... Stainless steel
Color of surface:	..... Stainless steel
Length electrical supply cord:	..... 100.0 cm
EAN code:	..... 4242003742006
Gas connection rating:	..... 8000 W
Fuse protection:	..... 3 A
Nominal power:	..... 220-240 V
Frequency:	..... 60; 50 Hz



## IQ500, Gas hob, 60 cm, Stainless steel EC6A5HC90

### Features

#### Design

- Stainless steel surface
- Cast iron pan supports

#### Usage convenience

- Step Flame technology - 9 steps: precisely control and adjust the flame in nine defined levels.
- Design co-ordinated control dials: easily access dials in front with strong grip for effortless turning.
- Ignition via control dials: just push and turn the dials to ignite the flame.

#### Burners and power

- 4 burner gas hob including:
- Left front: Standard burner up to 1.75 KW (depending on gas type)
- Left rear: Standard burner up to 1.75 KW (depending on gas type)
- Right rear: WOK burner up to 3.5 KW (depending on gas type)
- Right front: Economy burner up to 1 KW (depending on gas type)

#### Safety

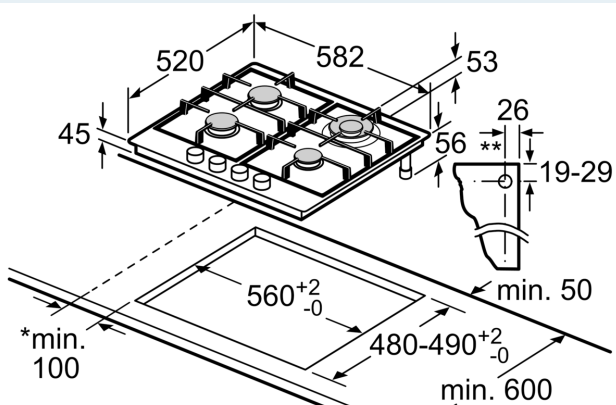
- Flame failure safety device: prevents unwanted gas flow when flame goes out.

#### Installation (gas types & measurements)

- Usable for: Nat gas L/LL G25/20mbar(DE)
- NG H/E 20mbar, E+ 20/25mbar Natural gas H 25 mbar (HU) Natural gas L 25 mbar (NL) Liquid gas G30,31 28-30/37mbar Liquid gas G30 37 mbar (PL) Liquid gas 50 mbar
- Factory set for connection to mains gas
- Nozzle set for LPG jets (28-30/37mbar) included. Nozzles for all other gas types can be ordered via the customer service. For nozzle change, please contact the customer service.
- Dimensions of the product (HxWxD mm): 53 x 582 x 520
- Required niche size for installation (HxWxD mm) : 45 x 560 x (480 - 492)
- Min. worktop thickness: 30 mm
- Power cord: 1 m
- Connected load: 8 KW

**IQ500, Gas hob, 60 cm, Stainless steel**  
**EC6A5HC90**

Dimensioned drawings



- \* Minimum distance from the hob cut-out to the wall
  - \*\* Position of gas connection in the cut-out
  - \*\*\* With fitted oven underneath, possibly more; see space requirements for the oven
- measurements in mm