

**Series 4, Wall-mounted cooker hood,
60 cm, Stainless steel
DWQ66DM50B**



Optional accessories

DHZ1225 Chimney extension 1000 mm, DHZ1235 Chimney extension 1500 mm, DHZ6550 Brushed steel back panel, DHZ6551 Brushed steel back panel, DWZ0DX0A0 Standard odor filter (replacement), DWZ0DX0U0 Standard recirculation kit, DWZ0XX0J0 Long Life recirculation kit, DWZ1DX1B4 Clean Air Standard odor filter (repl.), DWZ1DX1I4 Clean Air Standard recirculation kit, DWZ1DX1I6 Clean Air Plus recirculation kit, DWZ1FX5C6 Clean Air Plus recirc. kit external, DWZ1FX5D1 Long Life recirculation kit external, DZZ0XX0P0 Long Life odor filter (replacement), DZZ1XX1B6 Clean Air Plus odor filter (replacement)

Slim Pyramid hood: performance and matching design in your kitchen.

- **Silent:** maximum extractor performance with little noise.
- **TouchSelect control:** Quickly select hood settings via touch.
- **Intensive speed setting:** removes strong kitchen odours quickly and effectively.

Technical Data

Typology:	Wall-mounted
Length electrical supply cord:	130.0 cm
Height of the chimney:	582-912/582-1022 mm
Height of the appliance:	94 mm
Minimum distance above an electric hob:	550 mm
Minimum distance above a gas hob:	650 mm
Net weight:	11.0 kg
Type of control:	Electronic
Number of speed settings:	3-stages + intensive setting
Max. air extraction:	411 m ³ /h
Boost position output recirculating:	441 m ³ /h
Max. air recirculation:	337 m ³ /h
Boost position air extraction:	644 m ³ /h
Maximum Air flow:	411 m ³ /h
Number of lights:	2
Noise level:	62 dB(A) re 1 pW
Diameter of air outlet:	120 / 150 mm
Grease filter material:	Washable aluminium
EAN code:	4242005051212
Connection rating:	220 W
Fuse protection:	10 A
Voltage:	220-240 V
Frequency:	50; 60 Hz
Plug type:	GB plug
Installation typology:	Wall-mounted



Series 4, Wall-mounted cooker hood, 60 cm, Stainless steel DWQ66DM50B

Slim Pyramid hood: performance and matching design in your kitchen.

- Average Energy Consumption: 41.7 kWh/year*

Optional accessories

- Recirculating kit DHZ1225

* In accordance with the EU-Regulation No 65/2014

Key performance features:

- Energy Efficiency Class: A (at a range of energy efficiency classes from A+++ to D)
- Extraction rate according to EN 61591 ø 15 cm:
 - max. Normal use 410 m³/h
 - Intensive 644 m³/h
- Noise max. Normal Level: 62 dB*

Features

- TouchControl with Electronic display
- Electronic display
- 3 power levels & intensive setting
- 2 x 1.5W LED light
- Colour Temperature: 3500 K
- Automatic intensive revert (6mins)
- 2 metal grease filter cassettes
- Designed for wall mounted installation

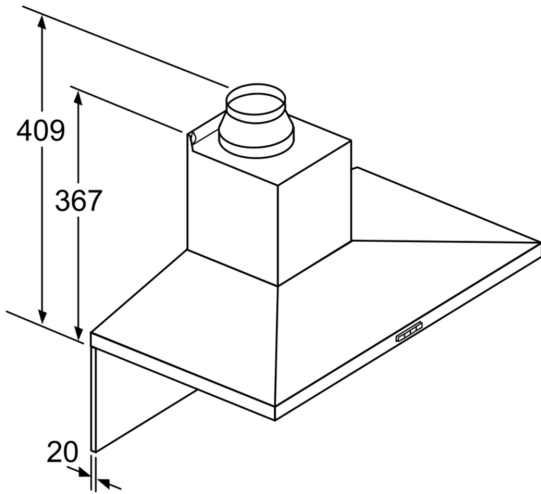
Design

- Chimney extractor hood
- TouchControl
- Electronic control

Performance/technical information

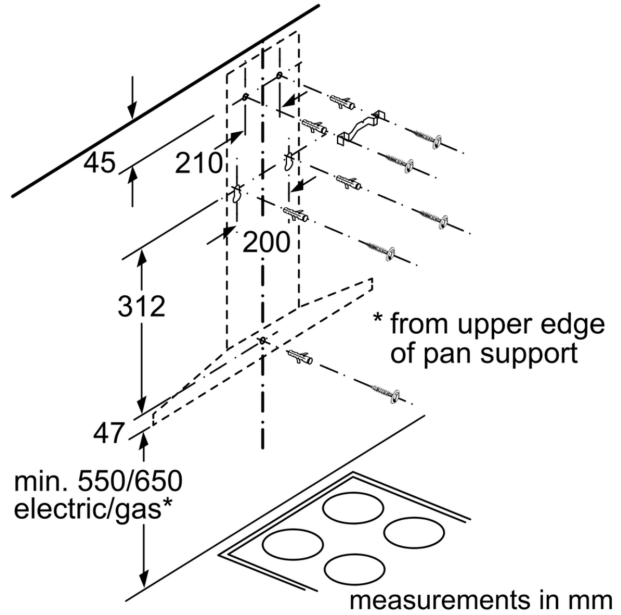
- Suitable for ducted or recirculating operation
- For recirculated extraction recirculating kit or CleanAir recirculating kit (accessory) needed
- Max. extraction rate: 644 m³/h
- Noise level according to EN 60704-3 and EN 60704-2-13 exhaust air:
 - Max. normal use: 62 dB(A) re 1 pW
 - Intensive: 70 dB(A) re 1 pW
- Power rating: 220 W
- Light Intensity: 242 lux
- Electrical cable length 1.3 m
- Diameter pipe ø 150 mm (ø 120 mm enclosed)
- Dimensions exhaust air (HxWxD): 676-1006 x 600 x 500 mm
- Dimensions recirculating (HxWxD): 676-1116 x 600 x 500 mm
- With the Clean Air Plus recirculation kit (available as optional accessory) your appliances reaches:
 - Extraction rate in recirculation mode: Max. normal use: 337 m³/h
 - Intensive: 441 m³/h
- Noise level in recirculation mode: Max. normal use: 70 dB(A) re 1 pW
- Intensive: 74 dB(A) re 1 pW
- Dimensions recirculating with CleanAir module (HxWxD):
 - 744 x 600 x 500 mm - mounting with outer chimney
 - 874-1204 x 600 x 500 mm - mounting with telescopic chimney
- Blower Efficiency Class: A*
- Lighting Efficiency Class: A*
- Grease Filtering Efficiency Class: B*

**Series 4, Wall-mounted cooker hood,
60 cm, Stainless steel
DWQ66DM50B**

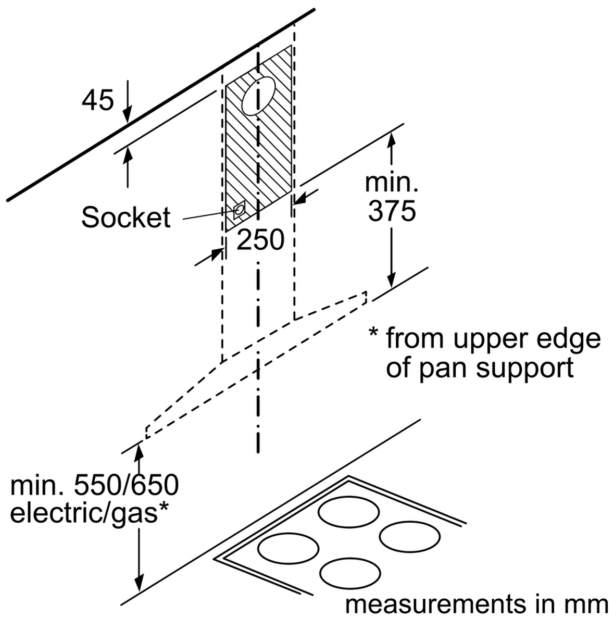


If a back panel is used,
the design of the appliance
must be considered.

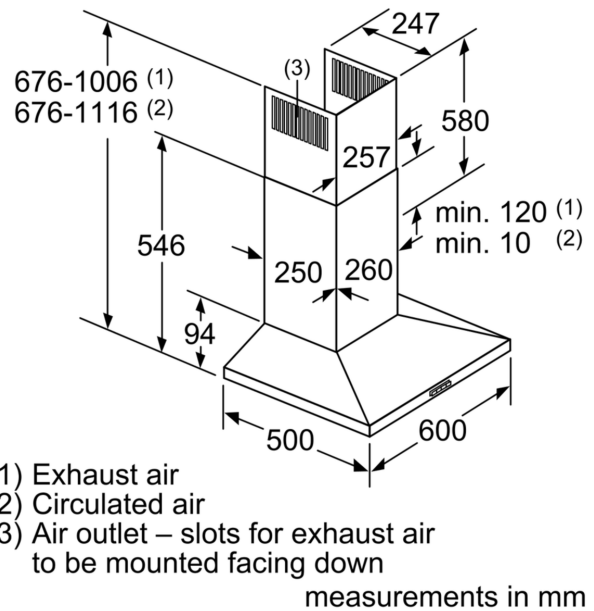
measurements in mm



measurements in mm



measurements in mm



measurements in mm

- (1) Exhaust air
- (2) Circulated air
- (3) Air outlet – slots for exhaust air to be mounted facing down