

**Series 2, Wall-mounted cooker hood,  
90 cm, Stainless steel  
DWP94BC50B**



**Optional accessories**

DHZ9550	Brushed steel back panel
DHZ9551	Brushed steel back panel
DHZ1224	Chimney extension 500 mm
DHZ1234	Chimney extension 750 mm
DHZ5275	Standard recirculation kit
DHZ5276	Standard odor filter (replacement)

**Pyramid hood: perfect performance  
matching your kitchen.**

- **Silent:** maximum extractor performance with little noise.
- **3-speed power Level options to suit your cooking style and recipes.**
- **Dishwasher safe aluminum mesh filters**

**Technical Data**

Typology:	.....Wall-mounted
Length electrical supply cord:	..... 130.0 cm
Height of the chimney:	..... 553-730/573-730 mm
Height of the appliance:	..... 246 mm
Minimum distance above an electric hob:	..... 550 mm
Minimum distance above a gas hob:	.....650 mm
Net weight:	..... 10.7 kg
Type of control:	.....mechanical
Number of speed settings:	..... 3
Max. air extraction:	..... 365 m <sup>3</sup> /h
Max. air recirculation:	..... 213 m <sup>3</sup> /h
Maximum Air flow:	.....365 m <sup>3</sup> /h
Number of lights:	..... 2
Noise level:	.....65 dB(A) re 1 pW
Diameter of air outlet:	..... 120 / 150 mm
Grease filter material:	.....Washable aluminium
EAN code:	.....4242005032020
Connection rating:	..... 100 W
Fuse protection:	.....10 A
Voltage:	..... 220-240 V
Frequency:	..... 50; 60 Hz
Plug type:	..... GB plug
Installation typology:	.....Wall-mounted



## Series 2, Wall-mounted cooker hood, 90 cm, Stainless steel DWP94BC50B

### Pyramid hood: perfect performance matching your kitchen.

---

#### Key performance features:

- Energy Efficiency Class: D (at a range of energy efficiency classes from A+++ to D)
- Max. extraction rate: 365 m<sup>3</sup>/h
- Noise max. Normal Level: 65 dB\*

#### Features

- Push button control
- 3 power levels
- 2 x 1.5W LED light
- Colour Temperature: 3500 K
- 3 metal grease filter cassettes
- Designed for wall mounted installation

#### Design

- Chimney extractor hood
- Mechanical

#### Performance/technical information

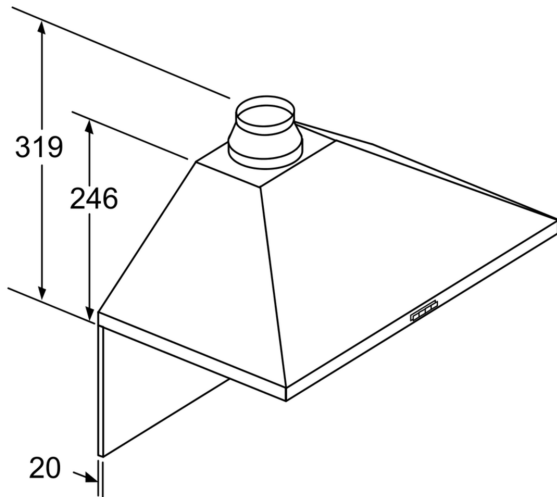
- Suitable for ducted or recirculating operation
- For recirculated extraction recirculating kit (accessory) needed
- Maximum extraction rate exhaust air 365 m<sup>3</sup>/h according to EN 61591
- Extraction rate in recirculation mode:
  - Max. normal use: 213 m<sup>3</sup>/h
- Noise level according to EN 60704-3 and EN 60704-2-13 at max. normal use exhaust air: 65 dB(A) re 1 pW
- Noise level in recirculation mode:
  - Max. normal use: 67 dB(A) re 1 pW (54 dB(A) re 20 µPa sound pressure)
- Power rating: 100 W
- Light Intensity: 94 lux
- Electrical cable length 1.3 m
- Diameter pipe Ø 150 mm (Ø 120 mm enclosed)
- Dimensions exhaust air (HxWxD): 799-975 x 900 x 500 mm
- Dimensions recirculating (HxWxD): 799-975 x 900 x 500 mm
- Blower Efficiency Class: E\*
- Lighting Efficiency Class: A\*
- Grease Filtering Efficiency Class: D\*
- Average Energy Consumption: 53.1 kWh/year\*

#### Optional accessories

- Recirculating kit DHZ9550

\* In accordance with the EU-Regulation No 65/2014

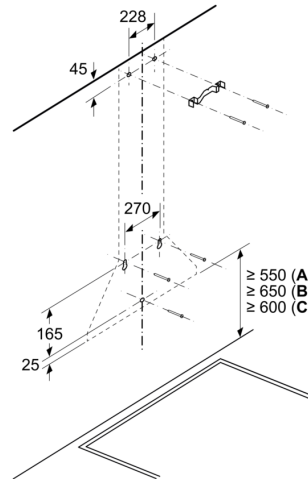
**Series 2, Wall-mounted cooker hood,  
90 cm, Stainless steel  
DWP94BC50B**



If a back panel is used,  
the design of the appliance  
must be considered.

measurements in mm

Measurements in mm

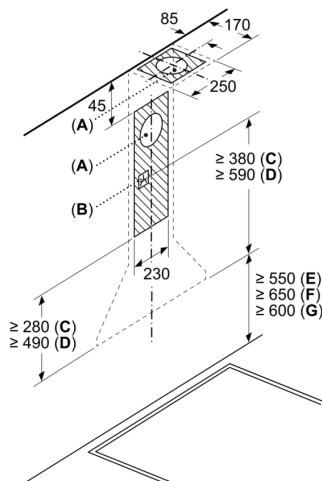


A: Electric

B: Gas - from upper edge of pan support

C: Electric - for Australia and New Zealand

Measurements in mm



A: Exhaust-air outlet

B: Socket

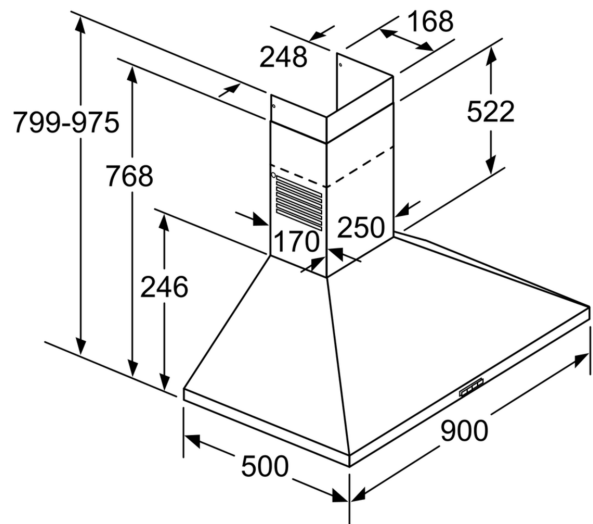
C: Exhaust air

D: Circulated air

E: Electric

F: Gas - from upper edge of pan support

G: Electric - for Australia and New Zealand



measurements in mm