

**Series 4, Wall-mounted cooker hood,
60 cm, Clear glass black printed
DWK67FN60B**



The Inclined Hood with Eco Silence Drive™ motor and Smart Hood Automatic for an automatically odor and noise free kitchen.

- **EcoSilence Drive™**: the powerful, energy-saving drive for hoods.
- **Home Connect**: hoods with smart connectivity make life easier.
- **Cooktop-based hood control**: use the hob to control your hood.
- **Smart Hood Automatic**: the hood that automatically adjusts on your hob settings while cooking.
- **With TemperatureLight you can adjust the LED light temperature from warm to cold white.**

Technical Data

Typology:	Wall-mounted
Length electrical supply cord:	130.0 cm
Height of the chimney:	550-793/550-880 mm
Height of the appliance:	320 mm
Minimum distance above an electric hob:	450 mm
Minimum distance above a gas hob:	650 mm
Net weight:	11.9 kg
Type of control:	Electronic
Number of speed settings:	3-stages + intensive setting
Max. air extraction:	431 m ³ /h
Boost position output recirculating:	687 m ³ /h
Max. air recirculation:	427 m ³ /h
Boost position air extraction:	768 m ³ /h
Maximum Air flow:	431 m ³ /h
Number of lights:	2
Noise level:	56 dB(A) re 1 pW
Diameter of air outlet:	150 mm
Grease filter material:	Washable aluminium
EAN code:	4242005403431
Connection rating:	140 W
Fuse protection:	10 A
Voltage:	220-240 V
Frequency:	50; 60 Hz
Plug type:	GB plug
Installation typology:	Wall-mounted
Delay Shut off modes:	10 min

Optional accessories

DWZ0BX6K1	Chimney extension 1000 mm
DWZ0BX6L1	Chimney extension 1500 mm
DWZ1KK1B6	Clean Air Plus odor filter (replacement)
DWZ1KK1I6	Clean Air Plus recirculation kit
DWZ1KK1V6	Clean Air Plus recirc. kit (chimless)



Series 4, Wall-mounted cooker hood, 60 cm, Clear glass black printed DWK67FN60B

The Inclined Hood with Eco Silence Drive™ motor and Smart Hood Automatic for an automatically odor and noise free kitchen.

Design:

- angled glass design
- wall-mounted
- Black glass
- Suitable for ducted or recirculating operation
- In recirculation operation chimneyless use possible
- For recirculation operation Clean Air Plus recirculation kit (accessory) needed.

Core Features:

- Efficient BLDC technology
- 2 PC, LED, 3W, with Colour temperature adjustable
- Softlight dimmer function : the lighting elements switch on and off smoothly.
- Dimmer function : the brightness of the lighting elements can be adjusted.
- Colour Temperature: 3500 K
- Light Intensity: 502 lux
- 2 capture areas: front side and bottom side
- 2 metal grease filter(s).

Comfort Features:

- 3 power levels & intensive setting
- Automatic reset from intensive to normal setting after 6 min.
- Automatic after running (10 min)

Digital Features:

- Home Connect: operate, monitor and set preferences of your hood via smartphone or tablet (only in countries where Home Connect service is available)
- Hob based hood control: automatically activates the hood when cooking, thanks to the WiFi connection of hood and suitable hob.
- based on hob-hood connection: Hood automatically adapts fan speed thanks to hob continuously providing cooking data (with matching hob and connected Home Connect account)
- fully automatic hood
- Voice Control enabled via popular voice assistants (only in countries where this service is available)
- Performance Profiles: choose between standard, performance or silence profiles to increase the extraction rate or reduce the fan noise via Home Connect App
- LED light with adjustable light temperature: Allows you to adapt the light temperature to your personal needs via Home Connect App
- Saturation indicator, set and reset function for grease filter and odor filter available via Home Connect app.
- After run function: available via Home Connect App
- Interval function: available via Home Connect App
- The Home Connect functionality can be extended by integrating numerous applications from external cooperation partners

(partnerships)

- Updateable appliance (available with connected Home Connect account): keep appliance always up to date with latest status of software.

Cleaning Comfort:

- Large opening angle of the glass plate with locking function for an easy filter accessibility and easy cleaning.
- Easy to clean smooth surfaces and materials.
- Removable metal grease filters dishwasher-safe

Performance Exhaust:

- According to EN 61591 and EN/ IEC 60704-2-13 your appliance can achieve the following values in exhaust mode: Speed 1: extraction rate 223 m³/h; noise level 39 dB (A) re1pW Speed 2: extraction rate 319 m³/h; noise level 48 dB (A) re1pW Speed 3: extraction rate 431 m³/h; noise level 56 dB (A) re1pW Intensive 1: extraction rate 768 m³/h; noise level 68 dB (A) re1pW
- Energy Efficiency Class: A+ (at a range of energy efficiency classes from A+++ to D)
- Average Energy Consumption: 31.7 kWh/year*
- Blower Efficiency Class: A*
- Lighting Efficiency Class: A*
- Grease Filtering Efficiency Class: C*

Performance Recirculation:

Technical Information and Sustainability:

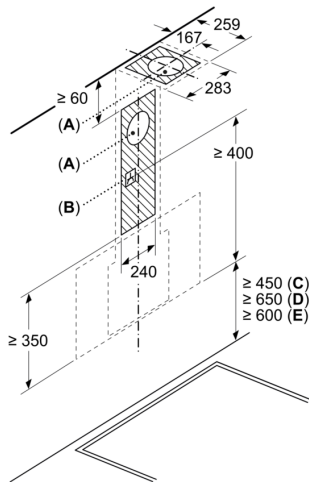
- Consumption data:
- Voltage: Nominal voltage: 220 - 240 V
- Power rating: 140 W
- Sustainability:
- Made in Germany: produced at a CO₂ neutral production site
- Environmentally friendly packaging
- Most efficient blower technology available on the market

Planning and Installation Information:

- Dimensions exhaust air (HxWxD): 883-1126 x 590 x 433 mm
- Dimensions recirculating (HxWxD): 883-1213 x 590 x 433 mm
- Diameter pipe Ø 150 mm (Ø 150 mm enclosed)
- Electrical cable length 1.3 m

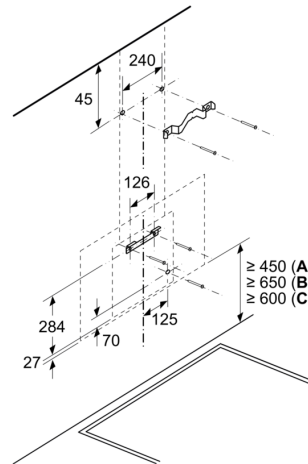
Series 4, Wall-mounted cooker hood, 60 cm, Clear glass black printed DWK67FN60B

Measurements in mm



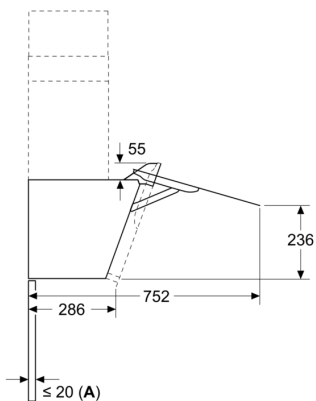
- A: Exhaust-air outlet
- B: Socket
- C: Electric
- D: Gas - from upper edge of pan support
- E: Electric - for Australia and New Zealand

Measurements in mm
Wall installation with chimney



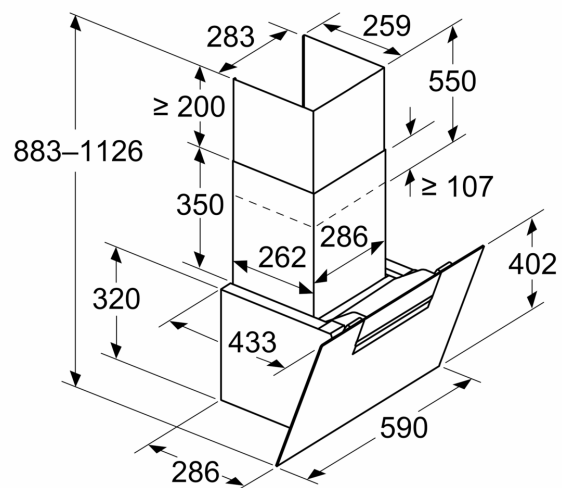
- A: Electric
- B: Gas - from upper edge of pan support
- C: Electric - for Australia and New Zealand

Measurements in mm

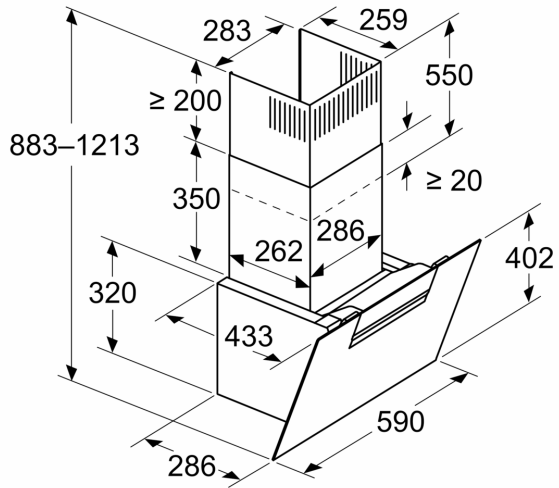


- A: Max. back wall thickness

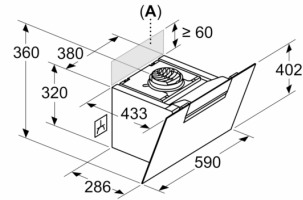
Measurements in mm
Appliance in exhaust air mode



Measurements in mm
Appliance in circulated air mode



Measurements in mm
Appliance in circulated air mode without duct



Socket can be fitted to the side of or above the appliance

A: Socket only outside the marked area