

Series 2, Wall-mounted cooker hood, 60 cm, Black DWK67EM60B



B



- **Especially silent:** maximum hood performance, minimum noise.
- **TouchSelect control:** Quickly select hood settings via touch.
- **Intensive speed setting:** removes strong kitchen odours quickly and effectively.

Technical Data

Typology:	Wall-mounted
Length electrical supply cord:	130.0 cm
Height of the chimney:	484-770/554-830 mm
Height of the appliance:	296 mm
Minimum distance above an electric hob:	450 mm
Minimum distance above a gas hob:	650 mm
Net weight:	14.3 kg
Type of control:	Electronic
Number of speed settings:	3-stages + intensive setting
Max. air extraction:	399 m ³ /h
Boost position output recirculating:	474 m ³ /h
Max. air recirculation:	349 m ³ /h
Boost position air extraction:	669 m ³ /h
Maximum Air flow:	399 m ³ /h
Number of lights:	2
Noise level:	60 dB(A) re 1 pW
Diameter of air outlet:	120 / 150 mm
Grease filter material:	Washable aluminium
EAN code:	4242005199723
Connection rating:	255 W
Fuse protection:	10 A
Voltage:	220-240 V
Frequency:	50; 60 Hz
Plug type:	GB plug
Installation typology:	Wall-mounted

Optional accessories

DWZ1EK1U1	Standard recirculation kit
DWZ1FX5C6	Clean Air Plus recirc. kit external
DWZ1FX5D1	Long Life recirculation kit external
DZZ0XX0P0	Long Life odor filter (replacement)
DZZ1XX1B6	Clean Air Plus odor filter (replacement)
DHZ1225	Chimney extension 1000 mm
DHZ1235	Chimney extension 1500 mm
DHZ5276	Standard odor filter (replacement)
DHZ6550	Brushed steel back panel
DHZ6551	Brushed steel back panel
DWZ0XX0J0	Long Life recirculation kit
DWZ1DX116	Clean Air Plus recirculation kit



4 242005 199723

Series 2, Wall-mounted cooker hood, 60 cm, Black DWK67EM60B

* In accordance with the EU-Regulation No 65/2014

Key performance features:

- Energy Efficiency Class: B (at a range of energy efficiency classes from A+++ to D)
- Extraction rate according to EN 61591 ø 15 cm:
 - max. Normal use 399 m³/h
 - Intensive 669 m³/h
- Noise max. Normal Level: 60 dB*
- TouchControl with Electronic display
- Electronic display
- 3 power levels & intensive setting
- 2 x 1.5W LED light
- Colour Temperature: 3500 K
- Automatic intensive revert (6mins)
- 2 metal grease filter cassettes
- Designed for wall mounted installation
- Rim ventilation

Design

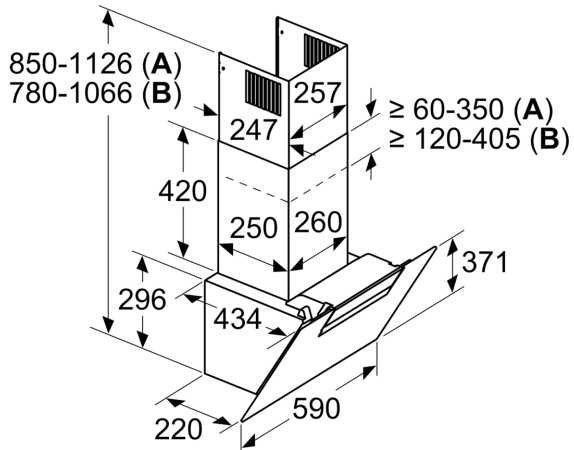
- Chimney extractor hood
- TouchControl
- Electronic control

Performance/technical information

- Suitable for ducted or recirculating operation
- For recirculated extraction recirculating kit or CleanAir recirculating kit (accessory) needed
- Extraction rate according to EN 61591 max. 399 m³/h
- Noise level according to EN 60704-3 and EN 60704-2-13 at maximum normal setting: extraction rate: 60 dB (A) re 1 pW
- Noise level according to EN 60704-3 and EN 60704-2-13 at max. normal use exhaust air: 60 dB(A) re 1 pW
- Noise level according to EN 60704-3 and EN 60704-2-13 exhaust air:
 - Max. normal use: 60 dB(A) re 1 pW
 - Intensive: 69 dB(A) re 1 pW
- With the Clean Air Plus recirculation kit (available as optional accessory) your appliances reaches:
 - Extraction rate in recirculation mode: Max. normal use: 349 m³/h
 - Intensive: 474 m³/h
 - Noise level in recirculation mode: Max. normal use: 69 dB(A) re 1 pW
 - Intensive: 76 dB(A) re 1 pW
- Light Intensity: 130 lux
- Electrical cable length 1.3 m
- Diameter pipe Ø 150 mm (Ø 120 mm enclosed)
- Dimensions exhaust air (HxWxD): 780-1066 x 600 x 434 mm
- Dimensions recirculating (HxWxD): 850-1126 x 600 x 434 mm
- Dimensions recirculating with CleanAir module (HxWxD):
 - 956 x 600 x 434 mm - mounting with outer chimney
 - 1016-1306 x 600 x 434 mm - mounting with telescopic chimney
- Blower Efficiency Class: B*
- Lighting Efficiency Class: A*
- Grease Filtering Efficiency Class: C*
- Average Energy Consumption: 59.4 kWh/year*

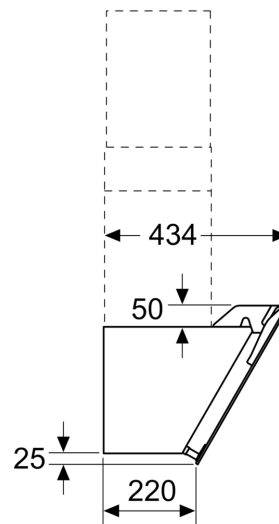
**Series 2, Wall-mounted cooker hood,
60 cm, Black
DWK67EM60B**

measurements in mm

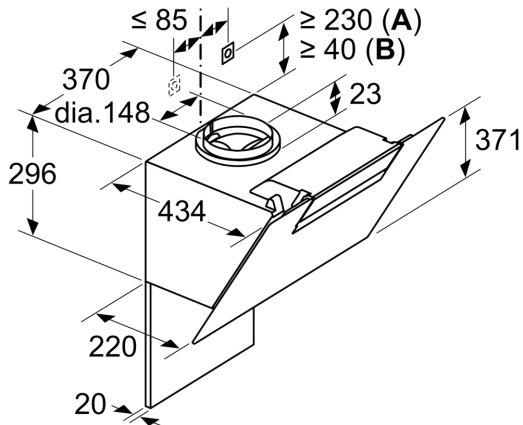


A: Circulated air
B: Exhaust air - slots to be mounted facing down

measurements in mm



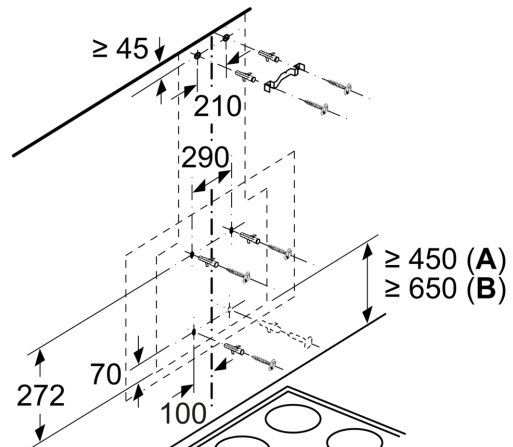
measurements in mm



A: Integrated Clean Air
B: Exhaust air or standard circulated air set

Note the maximum thickness of the back panel.

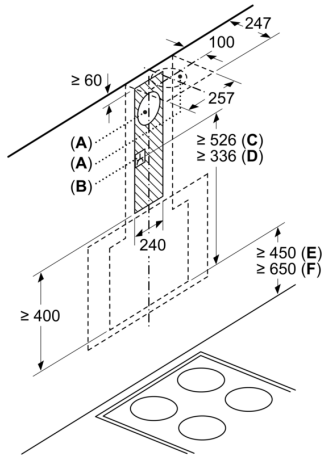
Measurements in mm



From upper edge of pan support

A: Electric
B: Gas

Measurements in mm



A: Exhaust-air outlet

B: Socket

C: Clean Air Plus circulated air kit

D: Exhaust air or standard circulated air kit

From upper edge of pan support

E: Electric

F: Gas