

**Series 4, Wall-mounted cooker hood,  
60 cm, Clear glass black printed  
DWK67CM60B**



**B**



**Angled hood: perfect for keeping an eye  
on your pots and pans.**

- **Especially silent:** maximum hood performance, minimum noise.
- **Easy-to-clean interior:** hidden screws and cables along with rounded edges make cleaning easy.
- **TouchSelect control:** Quickly select hood settings via touch.
- **Intensive speed setting:** removes strong kitchen odours quickly and effectively.

**Technical Data**

Typology: .....	Wall-mounted
Length electrical supply cord: .....	130.0 cm
Height of the appliance: .....	323 mm
Minimum distance above an electric hob: .....	450 mm
Minimum distance above a gas hob: .....	650 mm
Net weight: .....	20.1 kg
Type of control: .....	Electronic
Number of speed settings: .....	3-stages + intensive setting
Max. air extraction: .....	416 m <sup>3</sup> /h
Boost position output recirculating: .....	469 m <sup>3</sup> /h
Max. air recirculation: .....	367 m <sup>3</sup> /h
Boost position air extraction: .....	700 m <sup>3</sup> /h
Maximum Air flow: .....	416 m <sup>3</sup> /h
Number of lights: .....	2
Noise level: .....	58 dB(A) re 1 pW
Diameter of air outlet: .....	120 / 150 mm
Grease filter material: .....	Washable aluminium
EAN code: .....	4242005172740
Connection rating: .....	263 W
Fuse protection: .....	10 A
Voltage: .....	220-240 V
Frequency: .....	50; 60 Hz
Plug type: .....	GB plug
Installation typology: .....	Wall-mounted

**Optional accessories**

DWZOAK0R0	Long Life recirculation kit (chimless)
DWZOAK0S0	Long Life recirculation kit
DWZOAX5K0	Chimney extension 1000 mm
DWZOAX5L0	Chimney extension 1500 mm
DWZ1AK1B6	Clean Air Plus odor filter (replacement)
DWZ1AK1I6	Clean Air Plus recirculation kit
DWZ1AK1V6	Clean Air Plus recirc. kit (chimless)
DWZ1AX5C6	Clean Air Plus recirc. kit external
DWZ1AX6E1	Chimney standard black
DZZ0XX0P0	Long Life odor filter (replacement)
DZZ1XX1B6	Clean Air Plus odor filter (replacement)



4 242005 172740

## Series 4, Wall-mounted cooker hood, 60 cm, Clear glass black printed DWK67CM60B

**Angled hood: perfect for keeping an eye  
on your pots and pans.**

### Optional accessories

- Recirculating kit DWZ0AK0R0

\* In accordance with the EU-Regulation No 65/2014

### Key performance features:

- Energy Efficiency Class: B (at a range of energy efficiency classes from A+++ to D)
- Extraction rate according to EN 61591  $\varnothing$  15 cm:
  - max. Normal use 416 m<sup>3</sup>/h
  - Intensive 700 m<sup>3</sup>/h
- Noise max. Normal Level: 58 dB\*

### Special features

- TouchControl with Electronic display
- 3 power levels & intensive setting
- 2 x 1.5W LED light
- Colour Temperature: 3500 K
- Automatic intensive revert (6mins)
- 2 metal grease filter cassettes
- easy to clean Inner frame
- Designed for wall mounted installation
- Rim ventilation

### Design

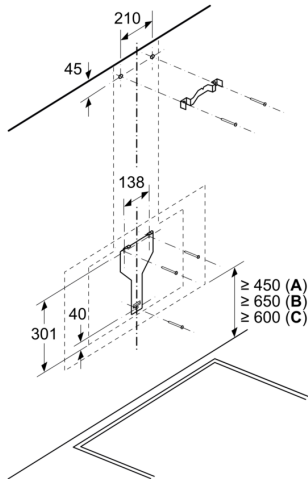
- Chimney extractor hood
- TouchControl
- Electronic control

### Performance/technical information

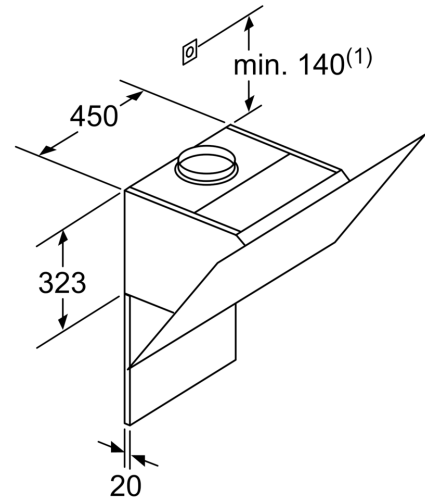
- Suitable for ducted or recirculating operation
- For recirculated extraction recirculating kit or CleanAir recirculating kit (accessory) needed
- In recirculation operation chimless use possible
- Installation system: Wall fixing inclined/flat/cube
- Extraction rate according to EN 61591 max. 416 m<sup>3</sup>/h
- Noise level according to EN 60704-3 and EN 60704-2-13 at max. normal use exhaust air: 58 dB(A) re 1 pW
- Noise level according to EN 60704-3 and EN 60704-2-13 exhaust air:
  - Max. normal use: 58 dB(A) re 1 pW
  - Intensive: 67 dB(A) re 1 pW
- Noise level according to EN 60704-3 and EN 60704-2-13 at maximum normal setting: extraction rate: 58 dB (A) re 1pW
- Light Intensity: 100 lux
- Electrical cable length 1.3 m
- Diameter pipe  $\varnothing$  150 mm ( $\varnothing$  120 mm enclosed)
- Dimensions exhaust air (HxWxD): 928-1198 x 590 x 499 mm
- Dimensions recirculating (HxWxD): 988-1258 x 590 x 499 mm
- Dimensions recirculating with CleanAir module (HxWxD):
  - 1118 x 590 x 499mm - mounting with outer chimney
  - 1188-1458 x 590 x 499 mm - mounting with telescopic chimney
- Blower Efficiency Class: B\*
- Lighting Efficiency Class: B\*
- Grease Filtering Efficiency Class: C\*
- Average Energy Consumption: 56.6 kWh/year\*

**Series 4, Wall-mounted cooker hood,  
60 cm, Clear glass black printed  
DWK67CM60B**

Measurements in mm



- A: Electric
- B: Gas - from upper edge of pan support
- C: Electric - for Australia and New Zealand

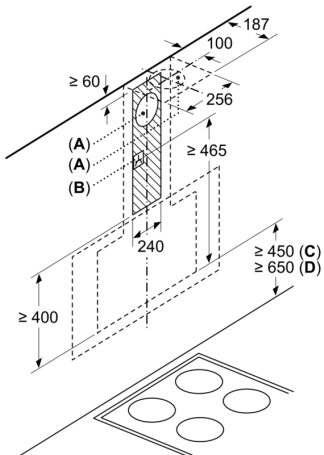


(1) Position of socket

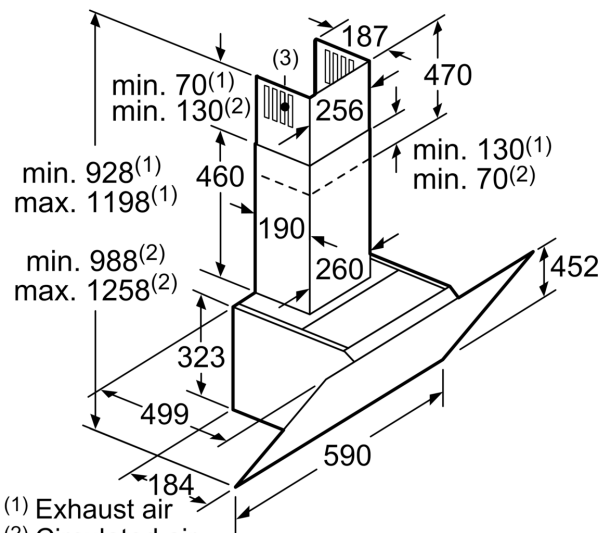
Note the maximum thickness of the back panel.

measurements in mm

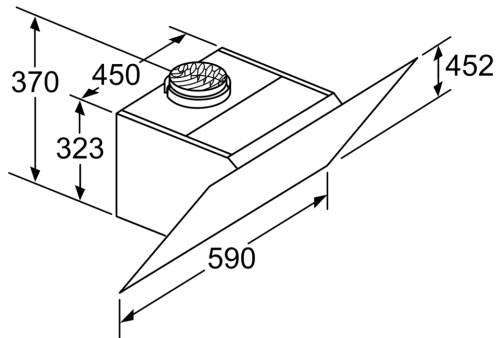
Measurements in mm



- A: Exhaust air
  - B: Socket
- From upper edge of pan support
- C: Electric
  - D: Gas

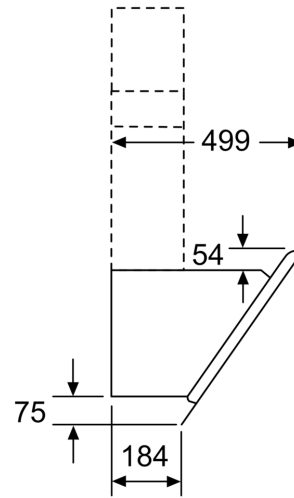


- (1) Exhaust air
  - (2) Circulated air
  - (3) Air outlet – slot for exhaust air to be mounted facing down
- measurements in mm



Appliance in circulated air mode  
without duct  
Circulated air set required

measurements in mm



measurements in mm