

**Series 2, Wall-mounted cooker hood,
60 cm, Clear glass
DWG64BC50B**



Optional accessories

DHZ1225 Chimney extension 1000 mm, DHZ1235 Chimney extension 1500 mm, DHZ6550 Brushed steel back panel, DHZ6551 Brushed steel back panel, DWZ0DX0A0 Standard odor filter (replacement), DWZ0DX0U0 Standard recirculation kit, DWZ0XX0J0 Long Life recirculation kit, DWZ1DX1B4 Clean Air Standard odor filter (repl.), DWZ1DX1I4 Clean Air Standard recirculation kit, DWZ1DX1I6 Clean Air Plus recirculation kit, DWZ1FX5C6 Clean Air Plus recirc. kit external, DWZ1FX5D1 Long Life recirculation kit external, DZZ0XX0P0 Long Life odor filter (replacement), DZZ1XX1B6 Clean Air Plus odor filter (replacement)

Hood with glass design: performance combined with straight glass design matching your kitchen.

- **Silent:** maximum extractor performance with little noise.
- **3-speed power Level options to suit your cooking style and recipes.**

Technical Data

Typology:	Wall-mounted
Length electrical supply cord:	130.0 cm
Height of the chimney:	576-906/576-998 mm
Height of the appliance:	59 mm
Minimum distance above an electric hob:	650 mm
Minimum distance above a gas hob:	650 mm
Net weight:	12.8 kg
Type of control:	mechanical
Number of speed settings:	3
Max. air extraction:	365 m ³ /h
Max. air recirculation:	240 m ³ /h
Maximum Air flow:	365 m ³ /h
Number of lights:	2
Noise level:	64 dB(A) re 1 pW
Diameter of air outlet:	120 / 150 mm
Grease filter material:	Washable aluminium
EAN code:	4242005051151
Connection rating:	100 W
Fuse protection:	10 A
Voltage:	220-240 V
Frequency:	50; 60 Hz
Plug type:	GB plug
Installation typology:	Wall-mounted



Series 2, Wall-mounted cooker hood, 60 cm, Clear glass DWG64BC50B

**Hood with glass design: performance
combined with straight glass design
matching your kitchen.**

Key performance features:

- Energy Efficiency Class: D (at a range of energy efficiency classes from A+++ to D)
- Max. extraction rate: 365 m³/h
- Noise max. Normal Level: 64 dB*

Features

- Push button control
- 3 power levels
- 2 x 1.5W LED light
- Colour Temperature: 3500 K
- 1 metal grease filter cassette
- Designed for wall mounted installation

Design

- Chimney extractor hood
- Mechanical

Performance/technical information

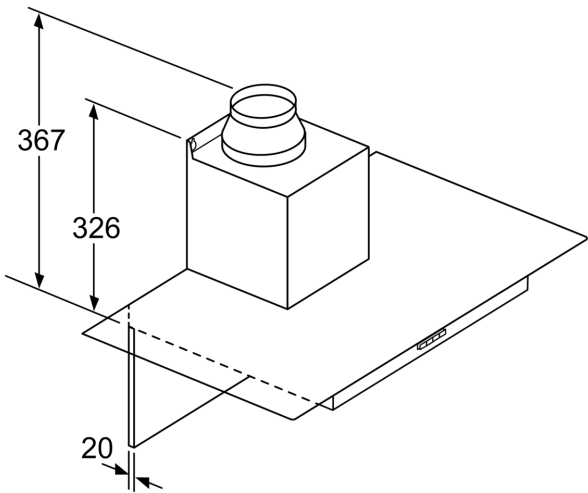
- Suitable for ducted or recirculating operation
- For recirculated extraction recirculating kit or CleanAir recirculating kit (accessory) needed
- Maximum extraction rate exhaust air 365 m³/h according to EN 61591
- Noise level according to EN 60704-3 and EN 60704-2-13 at max. normal use exhaust air: 64 dB(A) re 1 pW
- With the Clean Air Plus recirculation kit (available as optional accessory) your appliances reaches:
- Extraction rate in recirculation mode: Max. normal use: 240 m³/h
- Noise level in recirculation mode: Max. normal use: 65 dB(A) re 1 pW
- Power rating: 100 W
- Light Intensity: 110 lux
- Electrical cable length 1.3 m
- Diameter pipe Ø 150 mm (Ø 120 mm enclosed)
- Dimensions exhaust air (HxWxD): 635-965 x 600 x 525 mm
- Dimensions recirculating (HxWxD): 635-1075 x 600 x 525 mm
- Dimensions recirculating with CleanAir module (HxWxD):
- 703 x 600 x 525 mm - mounting with outer chimney
- 833-1163 x 600 x 525 mm - mounting with telescopic chimney
- Blower Efficiency Class: E*
- Lighting Efficiency Class: A*
- Grease Filtering Efficiency Class: B*
- Average Energy Consumption: 53.1 kWh/year*

Optional accessories

- Recirculating kit DHZ1225

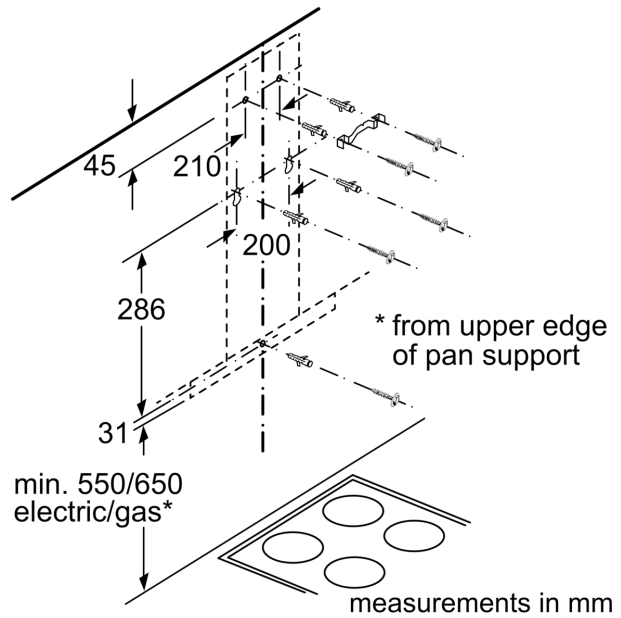
* In accordance with the EU-Regulation No 65/2014

**Series 2, Wall-mounted cooker hood,
60 cm, Clear glass
DWG64BC50B**

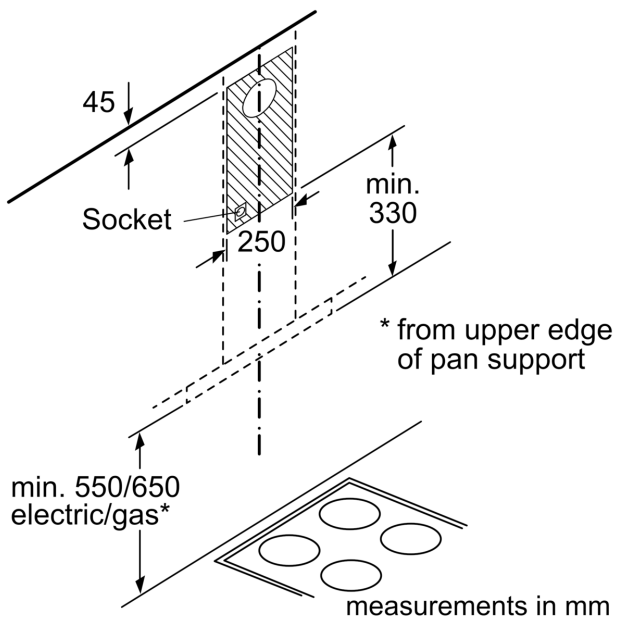


If a back panel is used,
the design of the appliance
must be considered.

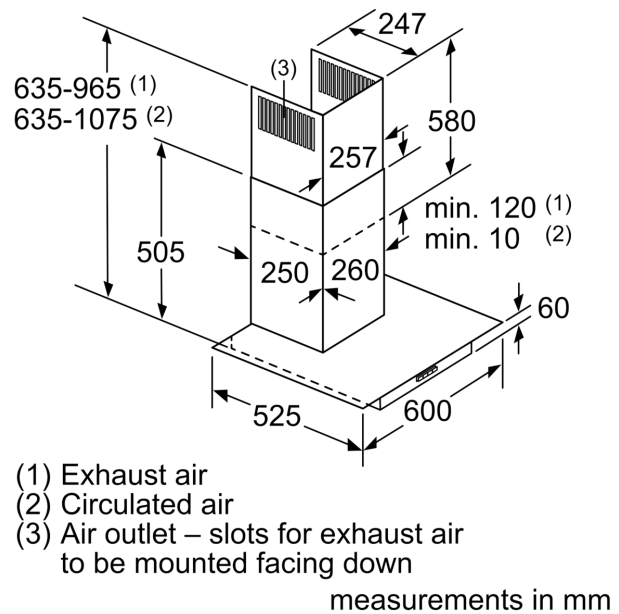
measurements in mm



measurements in mm



measurements in mm



measurements in mm

- (1) Exhaust air
- (2) Circulated air
- (3) Air outlet – slots for exhaust air
to be mounted facing down