

Series 6, Wall-mounted cooker hood, 90 cm, Stainless steel DWB98JQ50B





Optional accessories

DHZ1223	Chimney extension 1000 mm
DHZ1233	Chimney extension 1500 mm
DHZ5345	Standard recirculation kit
DHZ5346	Standard odor filter (replacement)
DWZ0XX0J5	Long Life recirculation kit
DWZ1CX1I6	Clean Air Plus recirculation kit
DWZ2CB1I4	Clean Air Standard recirculation kit
DWZ2CX5C6	Clean Air Plus recirc. kit external
DWZ2FX5D1	Long Life recirculation kit external
DZZ0XX0P0	Long Life odor filter (replacement)
DZZ1XX1B6	Clean Air Plus odor filter (replacement)
DZZ2CB1B4	Clean Air Standard odor filter (repl.)

Wall mounted chimney hoods add style and sophistication to the kitchen and give you complete freedom in your kitchen planning.

- **PerfectAir sensor:** automatic extractor control for high performance with low noise.
- **DirectSelect control:** direct selection of desired settings and light.
- **Extra silent:** the high-performance hood, with minimal noise.
- **EcoSilence Drive™:** the powerful, energy-saving drive for hoods.

Technical Data

Typology:Wall-mounted
Length electrical supply cord: 130.0 cm
Height of the chimney: 582-908/568-1018 mm
Height of the appliance:46 mm
Minimum distance above an electric hob: 550 mm
Minimum distance above a gas hob:650 mm
Net weight: 19.3 kg
Type of control:Electronic
Number of speed settings:3-stage + 2 intensive
Max. air extraction:430 m ³ /h
Boost position output recirculating: 457 m ³ /h
Max. air recirculation: 353 m ³ /h
Boost position air extraction: 844 m ³ /h
Maximum Air flow:430 m ³ /h
Number of lights: 3
Noise level:55 dB(A) re 1 pW
Diameter of air outlet: 120 / 150 mm
Grease filter material: Washable stainless steel
EAN code:4242005099368
Connection rating: 165 W
Fuse protection:10 A
Voltage: 220-240 V
Frequency: 50; 60 Hz
Plug type: GB plug
Installation typology:Wall-mounted
Delay Shut off modes: 10 min



Series 6, Wall-mounted cooker hood, 90 cm, Stainless steel DWB98JQ50B

Wall mounted chimney hoods add style and sophistication to the kitchen and give you complete freedom in your kitchen planning.

Key performance features:

- Energy Efficiency Class: A+ (at a range of energy efficiency classes from A+++ to D)
- Extraction rate according to EN 61591 \varnothing 15 cm:
 - max. Normal use 430m³/h
 - Intensive 844 m³/h
- Noise max. Normal Level: 55 dB*

Special features

- PerfectAir sensor
- TouchControl with lightline
- 3 power levels and 2 intensive settings
- 3 x 1.5W LED light
- Colour Temperature: 3500 K
- Dimmer function
- Efficient BLDC-technology
- Automatic after running (10 min)
- Automatic intensive revert (6mins)
- 3 metal grease filter cassettes
- Saturation indicator for metal and charcoal filter
- Additional noise reduction insulation
- easy to clean Inner frame

Design

- Chimney extractor hood
- Designed for wall mounted installation
- TouchControl
- Electronic control

Performance/technical information

- Installation system: Chimney hood wall fixing syst.
- Suitable for ducted or recirculating operation
- For recirculated extraction recirculating kit or CleanAir recirculating kit (accessory) needed
- Extraction rate according to EN 61591 max. 430 m³/h
- Noise level according to EN 60704-3 and EN 60704-2-13 at max. normal use exhaust air: 55 dB(A) re 1 pW
- Noise level according to EN 60704-3 and EN 60704-2-13 exhaust air:
 - Max. normal use: 55dB(A) re 1 pW
 - Intensive: 69 dB(A) re 1 pW
- Noise level according to EN 60704-3 and EN 60704-2-13 at maximum normal setting: extraction rate: 55 dB (A) re 1pW
- With the Clean Air Plus recirculation kit (available as optional accessory) your appliances reaches:
 - Extraction rate in recirculation mode: Max. normal use: 353m³/h
 - Intensive: 457m³/h
 - Noise level in recirculation mode: Max. normal use: 67dB(A) re 1 pW
 - Intensive: 71 dB(A) re 1 pW

- Light Intensity: 389 lux
- Electrical cable length 1.3 m
- Diameter pipe \varnothing 150 mm (\varnothing 120 mm enclosed)
- Dimensions exhaust air (HxWxD): 614-954 x 898 x 500 mm
- Dimensions recirculating (HxWxD): 614-1064 x 898 x 500 mm
- Dimensions recirculating with CleanAir module (HxWxD): 795-1139 x 898 x 500 mm
- Blower Efficiency Class: A*
- Lighting Efficiency Class: A*
- Grease Filtering Efficiency Class: B*
- Average Energy Consumption: 30.1 kWh/year*

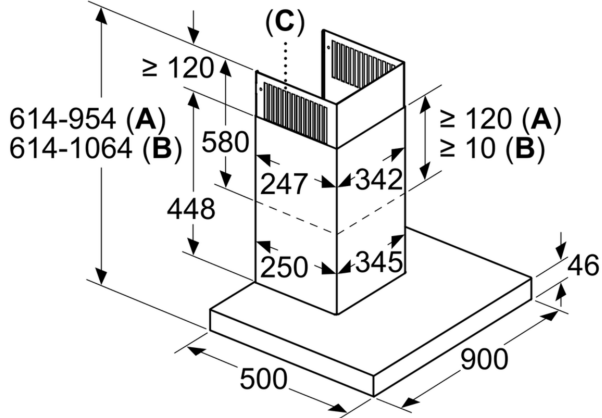
Optional accessories

- Recirculating kit DHZ1223

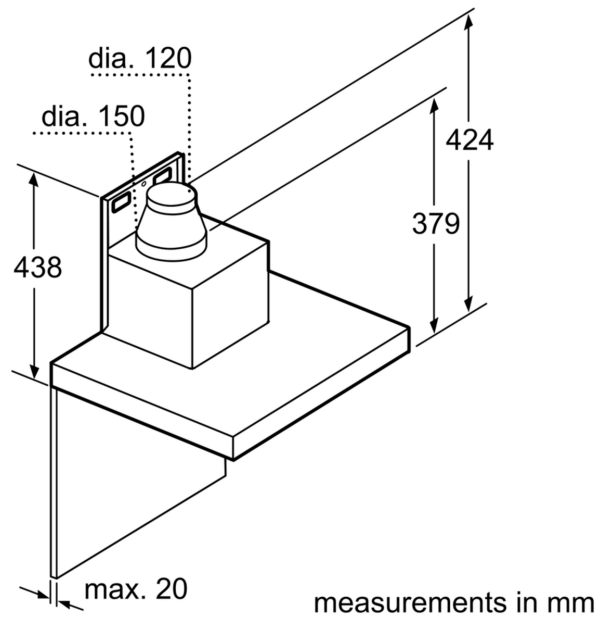
* In accordance with the EU-Regulation No 65/2014

Series 6, Wall-mounted cooker hood, 90 cm, Stainless steel DWB98JQ50B

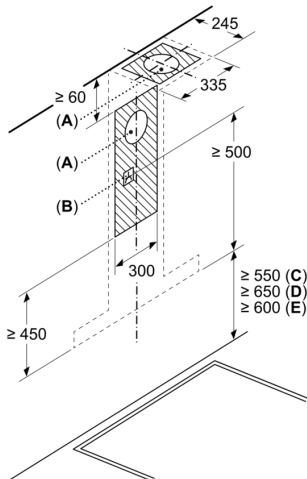
measurements in mm



- A:** Air extraction
- B:** Air recirculation
- C:** Air outlet – slots for exhaust air to be mounted facing down

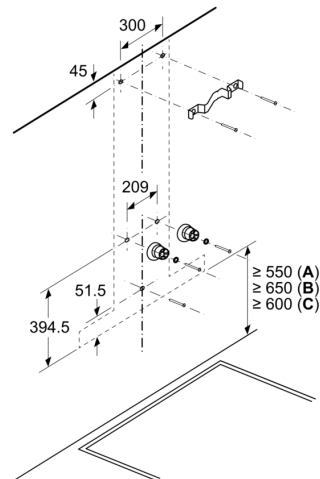


Measurements in mm



- A:** Exhaust air outlet
- B:** Socket
- C:** Electric
- D:** Gas - from upper edge of pan support
- E:** Electric - for Australia and New Zealand

Measurements in mm



- A:** Electric
- B:** Gas - from upper edge of pan support
- C:** Electric - for Australia and New Zealand