

**wall-mounted cooker hood, 90 cm,
clear glass
DWA09W451B**

E



Optional accessories

- DHZ1225 : Chimney extension 1000 mm
- DHZ1235 : Chimney extension 1500 mm
- DHZ5326 : Active carbon filter
- DSZ5201 : CleanAir active carbon filter spare part
- DSZ6200 : CleanAir Recirculation Kit

Wall mounted chimney hoods add style and sophistication to the kitchen and give you complete freedom in your kitchen planning.

- An impressive extraction rate of 430 m³/h ensures this hood will have your kitchen odour free in no time.
- Halogen lighting provides energy efficient and bright lighting of the hob area.

Technical Data

Color chimney :	Stainless steel
Typology :	Chimney
Approval certificates :	CE, VDE
Length electrical supply cord (cm) :	130
Height of the chimney (mm) :	581-897/581-1007
Height of product, without chimney (mm) :	57
Minimum distance above an electric hob :	550
Minimum distance above a gas hob :	650
Net weight (kg) :	19.424
Type of control :	mechanical
Number of speed settings :	3
Maximum output air extraction (m ³ /h) :	420
Maximum output recirculating air (m ³ /h) :	260
Number of lights :	2
Noise level (dB(A) re 1 pW) :	64
Diameter of air outlet (mm) :	120 / 150
Grease filter material :	Washable aluminium
EAN code :	4242002641973
Connection Rating (W) :	220
Voltage (V) :	220-240
Frequency (Hz) :	50
Plug type :	GB plug
Installation typology :	Wall-mounted



**wall-mounted cooker hood, 90 cm, clear
glass
DWA09W451B**

**Wall mounted chimney hoods add style and
sophistication to the kitchen and give you
complete freedom in your kitchen planning.**

Design

- 90 cm wide
- Designed for wall mounted installation
- Height adjustable chimney sections

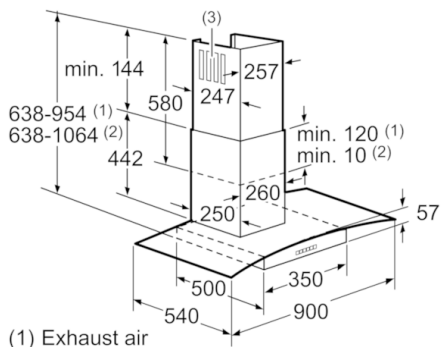
Features

- Rocker switch control for extractor speeds and light
- 3 power levels
- 2 x
- 1 metal grease filter cassette

Performance/technical information

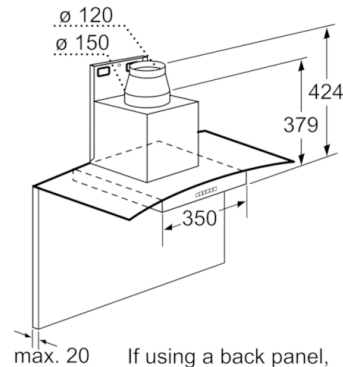
- Easy installation system
- Suitable for ducted or recirculating operation
- Maximum extraction rate exhaust air 430 m³/h according to EN 61591
- Noise level according to EN 60704-3 and EN 60704-2-13 at max. normal use exhaust air: 62 dB(A) re 1 pW (48 dB(A) re 20 µPa sound pressure)
- Extractor hose 120mm
- Recirculating kit DHZ5325
- Dimensions recirculating with CleanAir module (HxWxD):
659 x 900 x 540 mm - mounting with outer chimney
779-1109 x 900 x 540 mm - mounting with telescopic chimney

wall-mounted cooker hood, 90 cm, clear glass
DWA09W451B



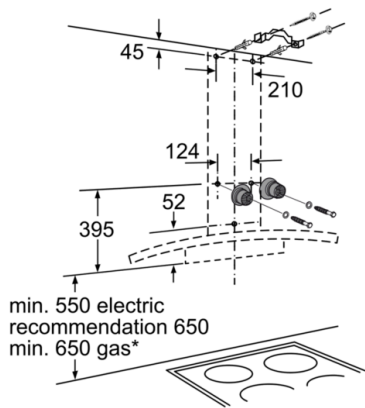
- (1) Exhaust air
- (2) Circulated air
- (3) Air outlet - Fit the exhaust air slot facing downwards

Measurements in mm



If using a back panel, the design of the appliance must be taken into account.

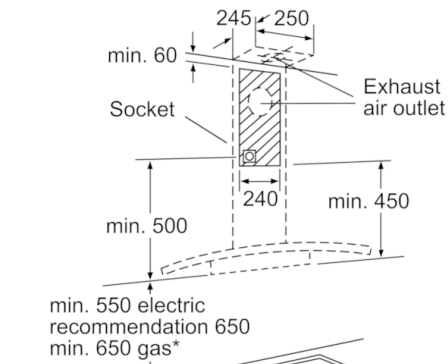
Measurements in mm



min. 550 electric
 recommendation 650
 min. 650 gas*

*from upper edge of pan support

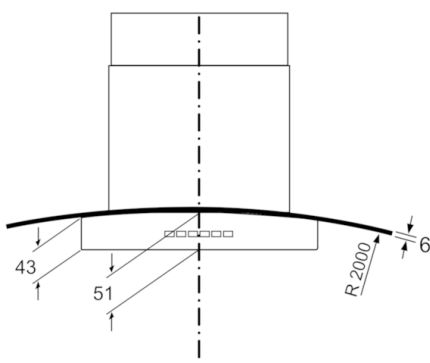
Measurements in mm



min. 550 electric
 recommendation 650
 min. 650 gas*

*from upper edge of pan support

Measurements in mm



Measurements in mm