

**wall-mounted cooker hood, 60 cm,
clear glass
DWA06E750B**



Technical Data

Color chimney :	Stainless steel
Typology :	Chimney
Approval certificates :	CE, VDE
Length electrical supply cord (cm) :	130
Height of the chimney (mm) :	581-897/581-1007
Height of product, without chimney (mm) :	57
Minimum distance above an electric hob :	550
Minimum distance above a gas hob :	650
Net weight (kg) :	17.308
Type of control :	Electronic
Maximum output air extraction (m ³ /h) :	400
Boost position output recirculating (m ³ /h) :	360
Maximum output recirculating air (m ³ /h) :	280
Boost position air extraction (m ³ /h) :	690
Number of lights :	2
Noise level (dB(A) re 1 pW) :	57
Diameter of air outlet (mm) :	120 / 150
Grease filter material :	Washable aluminium
EAN code :	4242002628103
Connection Rating (W) :	260
Voltage (V) :	220-240
Frequency (Hz) :	50
Plug type :	GB plug
Installation typology :	Wall-mounted



Optional accessories

- DHZ1225 : Chimney extension 1000 mm
- DHZ1235 : Chimney extension 1500 mm
- DHZ5326 : Active carbon filter
- DSZ5201 : CleanAir active carbon filter spare part
- DSZ6200 : CleanAir Recirculation Kit

wall-mounted cooker hood, 60 cm, clear glass DWA06E750B

- Exxcel
- Glass hood
- DWA06E750B

Key Information

- Electronic control
- Electronic power level display

Design

- 60 cm wide
- Designed for wall mounted installation
- Height adjustable chimney sections

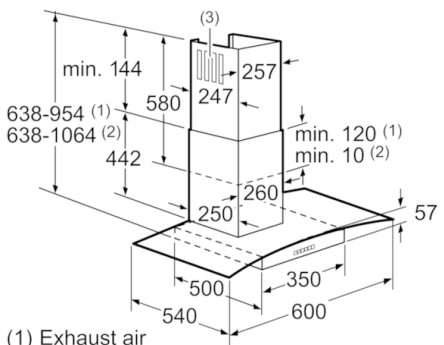
Features

- Soft touch button control for extractor speeds and light
- 3 power levels & intensive setting
- Automatic intensive revert
- 2 x 20W low energy halogen lights
- 1 metal grease filter cassette

Performance/technical information

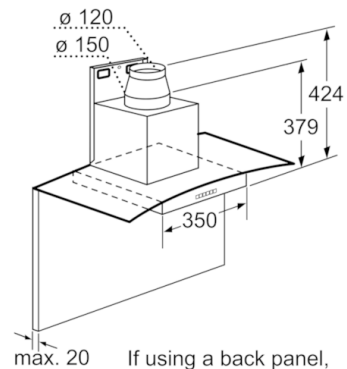
- Easy installation system
- Suitable for ducted or recirculating operation
- Extraction rate according to EN 61591 \varnothing 15 cm:
max. Normal use 420 m³/h
Intensive 690 m³/h
- Noise level according to EN 60704-3 and EN 60704-2-13
exhaust air:
Max. normal use: 56 dB(A) re 1 pW (42 dB(A) re 20 μ Pa sound pressure)
Intensive: 69 dB(A) re 1 pW (55 dB(A) re 20 μ Pa sound pressure)
- Extractor hose 120mm
- Recirculating kit DHZ5325
- Dimensions recirculating with CleanAir module (HxWxD):
659 x 600 x 540 mm - mounting with outer chimney
779-1109 x 600 x 540 mm - mounting with telescopic chimney

wall-mounted cooker hood, 60 cm, clear glass DWA06E750B



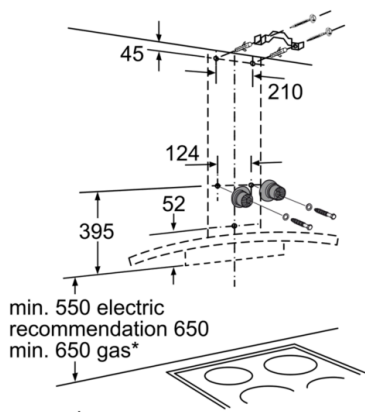
- (1) Exhaust air
- (2) Circulated air
- (3) Air outlet - Fit the exhaust air slot facing downwards

Measurements in mm



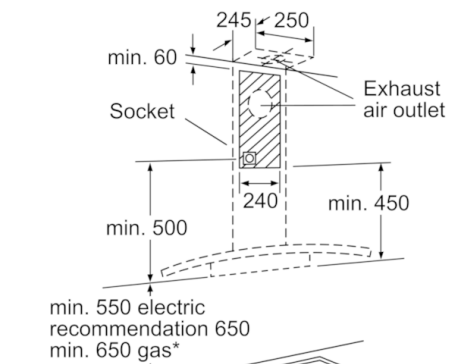
If using a back panel, the design of the appliance must be taken into account.

Measurements in mm



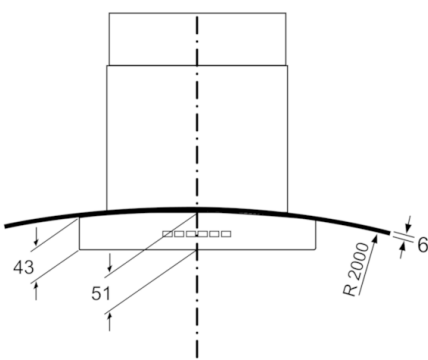
* from upper edge of pan support

Measurements in mm



* from upper edge of pan support

Measurements in mm



Measurements in mm