

**Series 4, Built-under cooker hood, 60 cm, Stainless steel
DUL63CC50B**



Optional accessories

DHZ2701 Standard odor filter

Conventional cooker hoods are mounted under cabinets and always visible, allowing you to keep your storage space.

- 3-speed power Level options to suit your cooking style and recipes.
- Dishwasher safe aluminum mesh filters
- Ducted or Non-ducted Options

Technical Data

Typology: Built-in/Built-under
 Length electrical supply cord: 145.0 cm
 Minimum distance above an electric hob: 650 mm
 Minimum distance above a gas hob:650 mm
 Net weight:6.2 kg
 Type of control:mechanical
 Number of speed settings:3
 Max. air extraction: 350 m³/h
 Max. air recirculation: 110 m³/h
 Maximum Air flow:350 m³/h
 Number of lights: 2
 Noise level:72 dB(A) re 1 pW
 Diameter of air outlet: 120 / 100 mm
 Grease filter material:Washable aluminium
 EAN code:4242002968513
 Connection rating: 146 W
 Voltage: 220-240 V
 Frequency: 50 Hz
 Plug type:GB plug
 Installation typology: Built-under



Series 4, Built-under cooker hood, 60 cm, Stainless steel DUL63CC50B

Conventional cooker hoods are mounted under cabinets and always visible, allowing you to keep your storage space.

Key performance features:

- Energy Efficiency Class: D (at a range of energy efficiency classes from A+++ to D)
- Maximum extraction 350 m³/h
- Noise max. Normal Level: 72 dB*

Features

- Push button control for extractor speeds and light
- 3 power levels
- 2 x 4W LED light
- Colour Temperature: 3000 K
- 2 metal grease filter cassettes
- Adjustable glass visor
- Designed for wall mounted installation or suspended beneath a reduced height wall cupboard

Design

- Built under conventional hood
- Push button control
- Mechanical

Performance/technical information

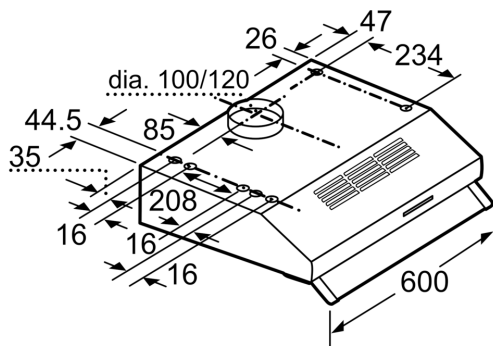
- Suitable for ducted or recirculating operation
- For recirculated extraction charcoal filter (accessory) needed
- Noise level according to EN 60704-3 and EN 60704-2-13 at maximum normal setting: extraction rate: 72 dB (A) re 1pW
- Light Intensity: 45 lux
- Electrical cable length 1.45 m
- Diameter pipe Ø 120 mm (Ø 100 mm enclosed)
- Dimensions exhaust air (HxWxD): 150-150 x 600 x 482 mm
- Dimensions recirculating (HxWxD): 150-150 x 600 x 482 mm
- Blower Efficiency Class: E*
- Lighting Efficiency Class: E*
- Grease Filtering Efficiency Class: C*
- Average Energy Consumption: 93.3 kWh/year*

Optional accessories

- Recirculating kit DHZ2701

* In accordance with the EU-Regulation No 65/2014

**Series 4, Built-under cooker hood, 60
cm, Stainless steel
DUL63CC50B**



measurements in mm