

## Back panel DHZ7551



- DHZ7551
- Brushed steel back panel

---

### Technical Data

Dimensions of the packed product (HxWxD): ..... 35 x 725 x 845 mm  
Pallet dimensions: ..... 120.0 x 80.0 x 120.0  
Standard number of units per pallet: ..... 30  
Net weight: ..... 2.5 kg  
Gross weight: ..... 7.2 kg  
EAN code: ..... 4242002595382

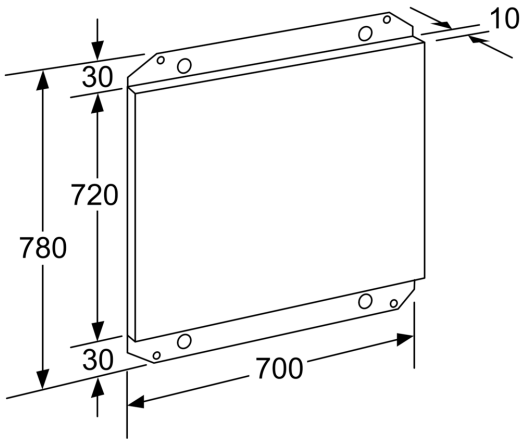
---



4 242002 595382

**Back panel**  
**DHZ7551**

---



Measurements in mm