

**Back panel
DHZ6551**

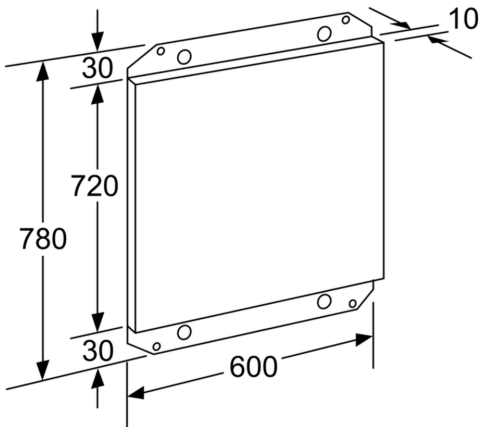
- DHZ6551
- Brushed steel back panel
- Stainless steel

Technical Data

Dimensions of the packed product (HxWxD): 40 x 620 x 840 mm
Pallet dimensions: 135.0 x 80.0 x 120.0
Standard number of units per pallet: 30
Net weight: 2.4 kg
Gross weight: 6.5 kg
EAN code: 4242002595375



Back panel
DHZ6551



Measurements in mm