

Chimney extension, 1100 mm DHZ1245



- Extension (telescopic part) for island chimney hood
- Max. 520 mm extension of the appliance possible
- Suitable for ducted and re-circulated extraction
- Extension with recirculation slots
- Extension for mounting kit 500 mm required

Technical Data

Dimensions of the packed product (HxWxD): ... 1220 x 310 x 320 mm
Pallet dimensions: 138.0 x 80.0 x 120.0
Standard number of units per pallet: 6
Net weight: 3.5 kg
Gross weight: 8.8 kg
EAN code: 4242002633992

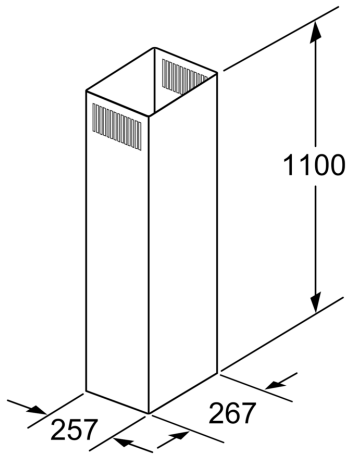


Chimney extension, 1100 mm DHZ1245

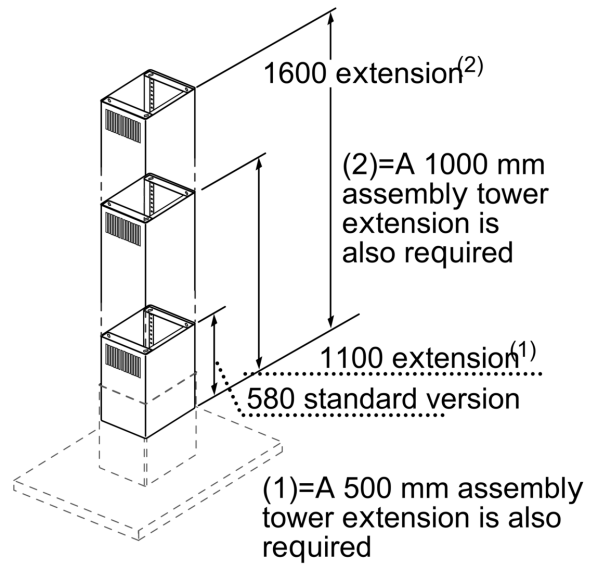
Optional accessories

- Extension (telescopic part) for island chimney hood
- Max. 520 mm extension of the appliance possible
- Suitable for ducted and re-circulated extraction
- Extension with recirculation slots
- Extension for mounting kit 500 mm required

Chimney extension, 1100 mm
DHZ1245



measurements in mm



Measurements in mm